



***CHEROKEE***  
**PARTS CATALOG**

**PA-28-140**

**PA-28-180**

**PA-28-150**

**PA-28-235**

**PA 28-160**

**PA-28R-180**

**PA-28R-200**

**PIPER AIRCRAFT CORPORATION**

---

# PIPER PARTS CATALOG

---

## REVISION STATUS

The information compiled in this Parts Catalog will be kept current by revisions distributed periodically. Current Revisions to this PA-28 and PA-28R Parts Catalog issued August 16, 1973 are as follows:

753 582 (PR750815) .....	Dated August 1975
753 582 (PR760430) .....	Dated April 1976
753 582 (PR760831) .....	Dated August 1976
753 582 (PR770304) .....	Dated March 1977
753 582 (PR770715) .....	Dated July 1977
753 582 (PR780908) .....	Dated September 1978
753 582 (PR790405) .....	Dated April 1979
753 582 (PR800520) .....	Dated May 1980
753-582 (PR040610) .....	Dated June 10, 2004
753 582 (PR071210) .....	Dated December 2007
753 582 (PR080310) .....	Dated March 2008
753 582 (PR080610) .....	Dated June 2008
753 582 (PR080910) .....	Dated September 2008
753 582 (PR090310) .....	Dated June 2009

\* Piper has ceased production of all Aerofiche (i.e.,) products. Parts Catalog subscriptions are available exclusive from Aventext. Inc. ([www.Avantext.com](http://www.Avantext.com)) on CD-Rom or DVD. The CDs/DVDs include applicable Service Bulletins and Service Letters.

## WARNING

The information contained in this manual is periodically revised. Piper Aircraft Corporation urges all users of this manual to keep it current. Contact your nearest Piper Aircraft Corporation distributor to arrange for a subscription to future revisions.

## MAINTENANCE ALERT

Refer to PIPER Service Letter No. 1041  
Accident/Incident Reporting

# PIPER PARTS CATALOG

## INTRODUCTION

This illustrated Parts Catalog provides simple, positive identification of replacement parts for the Piper Model PA-28 CHEROKEE -151/161 manufactured by the Piper Aircraft Corporation of Vero Beach, Florida.

**NOTE: DO NOT USE THIS CATALOG FOR RIGGING AND INSTALLATION PURPOSES.**

1. The catalog is divided into thirteen major sections as follows:
  - a. Section I to XII inclusive contains all replacement parts for the complete airplane. Each section is subdivided and each division includes an illustration and a parts listing.
  - b. Section XIII is the Miscellaneous Group. This group includes an illustration and parts list for the Placards and Exterior Stencils, a listing of the Optional Equipment Kits, Repair kits and Special Tools, and a listing of Miscellaneous Hardware and Consumables.
2. The following is a brief explanation of the columns in the parts lists: (Refer to EXAMPLE below).
  - a. The FIGURE AND INDEX NUMBER column indicates the illustration figure number and its part index number. EXAMPLE: (2-1), the 2 is the figure number and the 1 is the index number. The figure number appears only at the top of each parts list page.
  - b. The PART NUMBER column contains the identifying number of the replacement part and this number must be shown on all parts orders.
  - c. The CODE column is for the purpose of indicating special uses of the part. An explanation of the letter code used is shown on the grid (page) preceding each parts listing and pertains to that listing only.

**ALL PARTS WITH A "W" MUST BE PURCHASED FROM PIPER  
AIRCRAFT CORPORATION, VERO BEACH, FLORIDA**

- d. The NOMENCLATURE column indicates the part name. This name must be shown on all parts orders.
- e. The NO. REQ. (Number Required) column represents the total quantity of parts used per figure when the part is not indented and the quantity of parts used per assembly when the part is indented. The symbol AR listed in this column means As Required.
- f. The SERIAL NUMBERS AFFECTED column indicates the part application by airplane serial number. Unless otherwise noted, serial numbers listed with the model year and up (ex. 28-7716001 and up) are intended to include the new style of serial numbers that do not reference the model year (ex. 2816001 and up).

EXAMPLE					
Figure and Index Number	Part Number	Code	NOMENCLATURE	No. Req.	SERIAL NUMBERS AFFECTED
2-1	XXXXX-XX		DOOR ASSEMBLY - Baggage compartment	X	
-2	XXXXX-XX		* TUBE ASSEMBLY - Baggage door latch	X	
-3	XXXXX-XX		** CLEVIS - Door latch tube assembly	X	
-4	XXXXX-XX		** CLIP - Door latch tube assembly	X	

In the nomenclature column, the next higher assembly relationship of items covered is shown by the degree of indention of each item and is indicated by an asterisk (\*). One asterisk signifies one indention, two signifies two indentions, etc. The example listing above is interpreted as follows:

If the DOOR ASSEMBLY (not indented) is ordered, it will include the three items indented under the DOOR ASSEMBLY.

If the TUBE ASSEMBLY (indented one space) is ordered, it will include the two items indented under the TUBE ASSEMBLY.

If you want only a CLEVIS or CLIP, you order only that item.

---

# PIPER PARTS CATALOG

---

## GRID NUMBERING

Piper has ceased production of all Aerofiche (i.e., microfiche) products. The Aerofiche grid numbers will be removed in the next complete revision. In the interim, as partial revisions occur, the Aerofiche grid numbering system may be modified, as explained below, to simplify production.

Deviations from the legacy Aerofiche grid numbering system will occur when it becomes necessary to add pages to the manual and will typically take two forms:

A. Inserting pages between two existing grids in the same row.

When inserting two pages between the existing grids 1A8 and 1A9, the two new pages will be numbered 1A8A and 1A8B.

B. Inserting pages at the end of an Aerofiche grid row.

The legacy Aerofiche grid numbering system limited page numbers in a row to a maximum of 24 (i.e., row 1A would be numbered 1A1-1A24). That limit no longer applies. Accordingly, if two pages need to be added between any existing grid row end and grid row start (i.e., 1A24 and 1B1), the new pages will simply be numbered 1A25 and 1A26.

## HOW TO IDENTIFY A PART IF YOU KNOW WHAT IT LOOKS LIKE AND KNOW WHERE IT IS LOCATED

1. Refer to Figure 1 to determine the section number in which the part is used.
2. Refer to the Table of Contents and locate the section. Note the figure numbers that illustrate the various subgroups of this main section. Select the figure title you think might contain the part you wish to identify and proceed to the grid (page) specified. If you don't find the part on this illustration, try another figure in this group.
3. Refer to Figure and Index Number in the parts listing for description of the part.

## HOW TO ORDER PARTS

When ordering parts for your Piper airplane, please observe the following instructions:

1. Place your order with your local distributor or service center.
2. Specify the model and serial number of your airplane.
3. Specify Part Number, Name, Type and Quantity Required.
4. Specify the method of shipment — freight, express, parcel post, air express, air freight or air parcel post. Where the nature of the shipment requires it or when no instructions are given, we reserve the right to ship the most suitable way.
5. Request price and delivery information prior to order placement.

## GENERAL INFORMATION

1. Shortages  
All orders are checked before leaving our Shipping Department. A packing slip is enclosed with the shipment. Claims for errors or shortages must be made within three days after receipt of orders.
2. Returned Goods  
No material should be returned without first securing written permission. Material sent in without notice will be held at the owner's risk for thirty days and will then be disposed of as we see fit.

Transportation charges must be prepaid on returned goods or the shipment will be refused.

3. Transportation Liabilities  
Piper Aircraft, Inc. cannot be held liable for damages to parts in transit from the factory. If a shipment is received in a damaged condition, have the delivery man or transportation company make a notation of the damage and file your claim with the carrier. In case of concealed damage, do not attempt to remove the part from the shipping container, or try to repair the damage, call the carrier and have their claim agent inspect the damage before filing your claim with the carrier.
4. Components  
Components listed in this Parts Catalog are used on all configurations unless otherwise noted.

---

# PIPER PARTS CATALOG

---

## PA-28 AND PA-28R SERIAL NUMBER INFORMATION

The following information should be kept in mind when ordering from this catalog:

a. The serial numbers of the aircraft covered by this Part Catalog are as follows:

- (1) Serial numbers of the 1961 PA-28-150 and PA-28-160 Cherokee Models are 28-1 to 28-84 inclusive.
  - (2) Serial numbers of the 1962 PA-28-150 and PA-28-160 Cherokee Models are 28-85 to 28-670 inclusive.
  - (3) Serial numbers of the 1963 and 1964 PA-28-150 and PA-28-160 Cherokee "B" Models are 28-725 to 28-1760 inclusive.
  - (4) Serial numbers of the 1963 and 1964 PA-28-180 Cherokee "B" Models are 28-671 to 28-1760 inclusive.
  - (5) Serial numbers of the 1965, 1966 and 1967 PA-28-150, PA-28-160 and PA-28-180 Cherokee "C" Models are 28-1761 to 28-4377 inclusive.
  - (6) Serial numbers of the 1968 and 1969 PA-28-180 Cherokee "D" Models are 28-4378 to 28-5600 inclusive.
  - (7) Serial numbers of the 1970 PA-28-180 Cherokee "E" Models are 28-5601 to 28-5869 inclusive.
  - (8) Serial numbers of the 1971 PA-28-180 Cherokee "F" Models are 28-7105001 to 28-7105244 inclusive.
  - (9) Serial numbers of the 1972 PA-28-180 Cherokee "G" Models are 28-7205001 to 28-7205328 inclusive.
  - (10) Serial numbers of the 1973 PA-28-180 Cherokee Challenger Models are 28-7305001 to 28-7305611 inclusive, and 28-13.

(SEE NOTE)

- (11) Serial numbers of the 1974 PA-28-180 Cherokee Archer Models are 28-7405001 to 28-7405290 inclusive.
- (12) Serial numbers of the 1975 PA-28-180 Cherokee Archer Models are 28-7505001 to 28-7505261 inclusive.
- (13) Serial numbers of the 1965, 1966, 1967 and 1968 PA-28-140 Cherokee Models are 28-20002 to 28-24999 inclusive.
- (14) Serial numbers of the 1969 PA-28-140 Cherokee "B" Models are 28-25001 to 28-26400 inclusive.
- (15) Serial numbers of the 1970 PA-28-140 Cherokee "C" Models are 28-26401 to 28-26956 inclusive.
- (16) Serial numbers of the 1971 PA-28-140 Cherokee "D" Models are 28-7125001 to 28-7125651 inclusive.
- (17) Serial numbers of the 1972 PA-28-140 Cherokee "E" Models are 28-7225001 to 28-7225612 inclusive.
- (18) Serial numbers of the 1973 PA-28-140 Cherokee Cruiser Models are 28-7325001 to 28-7325684 inclusive.
- (19) Serial numbers of the 1974 PA-28-140 Cherokee Cruiser Model are 28-7425001 to 28-7425454 inclusive.
- (20) Serial numbers of the 1975 PA-28-140 Cherokee Cruiser Models are 28-7525001 to 28-7525350 inclusive.
- (21) Serial numbers of the 1976 PA-28-140 Cherokee Cruiser Models are 28-7625001 to 28-7625275 inclusive.
- (22) Serial numbers of the 1977 PA-28-140 Cherokee Cruiser Models are 28-7725001 to 28-7725290 inclusive.
- (23) Serial numbers of the 1964, 1965 and 1966 PA-28-235 Cherokee Models are 28-10003 to 28-10719 inclusive.
- (24) Serial numbers of the 1967 and 1968 PA-28-235 Cherokee "B" Models are 28-10720 to 28-11039 inclusive.
- (25) Serial numbers of the 1969 PA-28-235 Cherokee "C" Model are 28-11040 to 28-11300 inclusive.
- (26) Serial numbers of the 1970 PA-28-235 Cherokee "D" Models are 28-11301 to 28-11393 inclusive.
- (27) Serial numbers of the 1971 PA-28-235 Cherokee "E" Models are 28-7110001 to 28-7110042 inclusive.
- (28) Serial numbers of the 1972 PA-28-235 Cherokee "F" Models are 28-7210001 to 28-7210033 inclusive.
- (29) Serial numbers of the 1973 PA-28-235 Cherokee Charger Models are 28-7310001 to 28-7310187 inclusive, and 28-E11.

(SEE NOTE)

- (30) Serial numbers of the 1974 PA-28-235 Cherokee Pathfinder Models are 28-7410001 to 28-7410120 inclusive.
- (31) Serial numbers of the 1975 PA-28-235 Cherokee Pathfinder Models are 28-7510001 to 28-7510145 inclusive.
- (32) Serial numbers of the 1976 PA-28-235 Cherokee Pathfinder Models are 28-7610001 to 28-7610206 inclusive.
- (33) Serial numbers of the 1977 PA-28-235 Cherokee Pathfinder Models are 28-7710001 to 28-7710089 inclusive.

NOTES: 1. PA-28-180 with serial number 28-E13 and PA-28-235 with serial number 28-E11 are not referenced in the various Parts Lists throughout this catalog.

a. PA-28-180 with serial number 28-E13 is to be serviced the same as serial number 28-7305001.

b. PA-28-235 with serial number 28-E11 is to be serviced the same as serial number 28-7310001.

2. Refer to grid page (1A7) for an explanation of the various serial numbers that were used and appear on the manufacturer's identification plate.

---

## PIPER PARTS CATALOG

---

### PA-28 AND PA-28R SERIAL NUMBER INFORMATION (cont.)

- (34) Serial numbers of the 1968 and 1969 PA-28R-180 Cherokee Arrow Models are 28R-30005 to 28R-30481 inclusive, and 28R-30005 to 28R-30481 inclusive, and 28R-30483 to 28R-31250 inclusive.
- (35) Serial numbers of the 1970 PA-28R-180 Cherokee Arrow Models are 28R-31251 to 28R-31279 inclusive.
- (36) Serial numbers of the 1971 PA-28R-180 Cherokee Arrow "B" Models are 28R-7130001 to 28R-7130029 inclusive.
- (37) Serial numbers of the 1969 and 1970 PA-28R-200 Cherokee Arrow Models are 28R-30482, 28R-35001 to 28R-35830 inclusive.
- (38) Serial numbers of the 1971 PA-28R-200 Cherokee Arrow "B" Models are 28R-7135001 to 28R-7135238 inclusive
- (39) Serial numbers of the 1972 PA-28R-200 Arrow II Models are 28R-7335001 to 28R-7235330 inclusive,
- (40) Serial numbers of the 1973 PA-28R-200 Arrow II Models are 28R-7335001 to 28R-7335455 inclusive.
- (41) Serial numbers of the 1974 PA-28R-200 Arrow I Models are 28R-7435001 to 28R-7435331 inclusive.
- (42) Serial numbers of the 1975 PA-28R-200 Arrow II Models are 28R-7535001 to 28R-7535383 inclusive.
- (43) Serial numbers of the 1976 PA-28R-200 Arrow II Models are 28R-7635001 to 28R-7635545 inclusive.

NOTE: Refer to grid page (1A7) for an explanation of the various serial numbers that were used and appear on the manufacturer's identification plate.

---

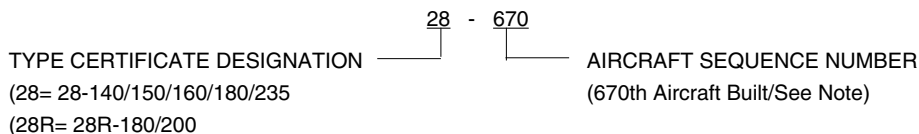
# PIPER PARTS CATALOG

---

## PA-28/28R SERIAL NUMBER EXPLANATION

For aircraft manufactured prior to 1971 model year, the Serial Number on the Manufacturer's Identification Plate is based on a 2-number set system. The first number set defines the Type Certificate Designation while the second set is the Aircraft Sequence Number.

EXAMPLE - Aircraft manufactured prior to 1971 model year.

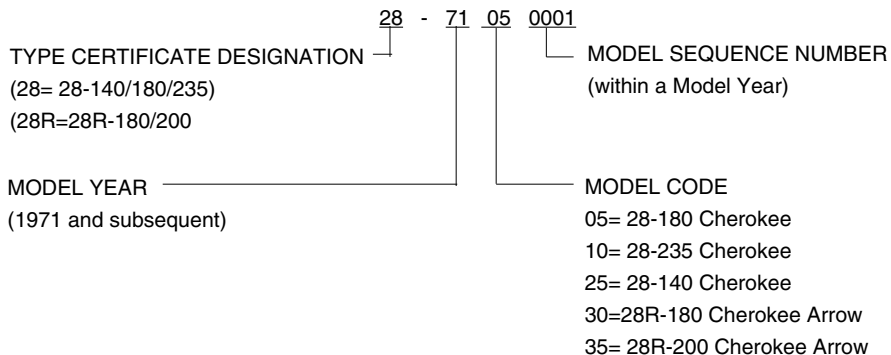


### NOTE:

- a. Aircraft Sequence Numbers for PA-28-150/160/180 are 1 thru 5869 inclusive.
- b. Aircraft Sequence Numbers for PA-28-235 are 10003 thru 11393 inclusive.
- c. Aircraft Sequence Numbers for PA-28-140 are 20002 thru 26956 inclusive.
- d. Aircraft Sequence Numbers for PA-28R-180 and PA-28R-200 are 30005 thru 35830 inclusive.

For aircraft manufactured in 1971 model year and subsequent, the Serial Number on the Manufacturer's Identification Plate is based on a 4-number set system. The first number set defines the Type Certificate Designation, the second set is the Model Year, the third set is the Model Code, while the fourth set is the Model Sequence Number (within a model year).

EXAMPLE - Aircraft manufactured in 1971 model year and subsequent.



# PIPER PARTS CATALOG

## STANDARD PAINT CHART

EXTERIOR	MFG. NO.	PIPER PART NUMBER	
		QUART	GALLON
<b>ENAMEL</b>			
Daytona	J-9545	751 700	751 701
Bahama Blue	H-9170	751 714	751 715
Phoenix	W-3557	754 718	754 719
Portland Green	W-3558	754 724	754 725
Pontiac Red	W-3665	754 716	754 717
El Paso Brown (Metallic)	W-8433	754 737	754 738
Tampa Green (Metallic)	W-8427	754 739	754 740
Newport Blue (Metallic)	W-8430	754 741	754 742
<b>ACRYLIC LACQUER</b>			
Pontiac Red	B-7943	4175 592	1175 592
Tampa Green	B-5430	4175 360	1175 360
Newport Blue	B-5501	4175 434	1175 434
Monterey Maroon (base coat)	K-2789	4175 441	1175 441
Monterey Maroon (top coat)	B-5480	4175 437	1175 437
Juneau White	B-7784-A	4175 657	1175 657
Lakeland Blue	B-5440	4175 433	1175 433
Orlando Green	B-5490	4175 361	1175 361
Mocha Tan	B-5450	4175 627	1175 627
Denver Brown (base coat)	K-2790	4175 299	1175 299
Denver Brown (top coat)	B-5460	4175 409	1175
Madrid Red	B-5511	4175 593	1175
Dakota Black	H-6117-R	4175 373	1175 373
Beaumont Blue	B-5530	4175 435	1175 435
Bahama Blue	B-9170	4175 436	1175 436
Bimini Turquoise	B-9915	4175 438	1175 438
Nassau Turquoise	B-9914	4175 439	1175 439
Reno Gold	B-9916	4175 345	1175 345
Lincoln Gray	B-7919	4175 362	1175 362
Dallas Yellow	Y-5783	4175 701	1175 701
Ocala Orange (base coat)	P-7946	4175 499	1175 499
Ocala Orange (top coat)	C-2065-A	4175 500	1175 500
Polar Gray	Y-6100-R	4175 341	1175 341
Las Vegas Gold	G-2124-A	4175 332	1175 332
Avocado	G-2352	4175 331	1175 331
Thinner	B-5408-B	4179 102	1179 402
<b>SPRAY PAINT FOR THERMOPLASTIC INTERIOR TRIM PANELS</b>		<b>(Offered only in 16-ounce aerosol cans)</b>	
Avocado Green		766-007	
White		766-008	
Tan		766-009	
Red		766-010	
Dark Blue		766-011	
Light Blue		766-012	
Sandstone		766-013	
Gloss Black		766-014	
Dark Brown		766-015	
Brown		766-016	
Blue-Green		766-017	
Optical Flat Black		766-018	



# TABLE OF CONTENTS

FIGURE NUMBER	FIGURE TITLE	GRID NUMBER
SECTION X ELECTRONICS GROUP		
85	Electric Trim Installation .....	3H20
86	AutoFlite Installation (PA-28-140 - S/N 28-20002 to 28-26956 incl. PA-28-150/160/180 - S/N 28-1231 to 28-5869 incl., PA-28-235 - S/N 28-10003 to 28-11393 incl., PA-28R-180 - S/N 28R-30005 to 28R-30481 incl., 28R-30483 to 28R-31279 incl. , PA-28R-200 - S/N 28R-30482, 28R-35001 to 28R-35830 incl. ) .....	3I1
86A	AutoFlite II Installation (PA-28-140 - S/N 28-7125001 and up, PA-28-180 - S/N 28-7105001 and up, PA-28-235 - S/N 28-7110001 and up, PA-28R-180 - S/N 28R-7130001 and up, PA-28R-200 - S/N 28R-7135001 and up) .....	3I4
87	AutoControl I Installation (PA-28-140/150/160/180/235).....	3I6
88	AutoControl II Installation (PA-28-140/150/160/180/235).....	3I8
89	AutoControl III Installation (PA-28-150/160/180 - S/N 28-3590 to 28-4377 incl., PA-28-235 - S/N 28-10741 to 28-11039 incl.) .....	3I11
90	AutoControl III and III B Installation (PA-28-140 - S/N 28-25000 and up, PA-28-180 S/N 28-4378 and up, PA-28-235 - S/N 28-11040 and up, PA-28R-180 - S/N 28R-30005 to 28R-30481 incl., 28R-30483 and up, PA-28R-200 - S/N 28R-30482, 28R-35001 and up).....	3I13
91	Piper PRC-4 AutoNav Radio Installation (PA-28-140/150/160/180/235) .....	3I16
92	Piper PTR-1 Radio Installation (PA-28-140/150/160/180/235).....	3I20
93	Radio, Antenna System and Static Wick Installation (PA-28-140 - S/N 28-25000 and up, PA-28-180 - S/N 28-4378 and up, PA-28-235 - S/N 28-11040 and up, PA-28R-180 - S/N 28R-30005 to 28R-30481 incl., 28R-30483 and up, PA-28R-200- S/N 28R-30482, 28R-35001 and up).....	3J1
93A	Piper Automatic Locator (ELT) Installation (Garrett Mfg, LTD).....	3J5
93B	Piper Automatic Locator (ELT) Installation (Communications Components Corp).....	3J8
93C	Piper Automatic Locator (ELT) Installation (Narco Avionics) .....	3J10
94	Piper PM-1 Marker Beacon Installation (PA-28-140 - S/N 28-25000 to 28-7425454 incl., PA-28-150/160/180 - S/N 28-1761 to 28-7405290 incl., PA-28-235 - S/N 28-10487 to 28-7410120 incl. , PA-28R-180 - S/N 28R-30005 to 28R-30481 incl.. 28R-30483 to 28R-7130019 incl. , PA-28R-200 - S/N 28R-30482, 28R-35001 to 28R-7435331 incl.) .....	3J12
95	Radio Junction Boxes (PA-28-140 - S/N 28-25000 and up, PA-28-180 - S/N 28-4378 and up, PA-28-235 - S/N 28-11040 and up, PA-28R-180 - S/N 28R-30005 to 28R-30481 incl. , 28R-30483 and up, PA-28R-200 - S/N 28R-30482, 28R-35001 .....	3J15
96	Radar Altimeter Installation (PA-28R-200) .....	3J17
97	Encoder Installation (Narco - AR 500) (PA-28-140 - S/N 28-7725001 and up PA-28-235 - S/N 28-7710001 and up) .....	3J19
	Radio Installation Drawings .....	3J21

# TABLE OF CONTENTS

FIGURE NUMBER	FIGURE TITLE	GRID NUMBER
	SECTION XI MISCELLANEOUS GROUP	
	Optional Equipment Kits and Repair Kits .....	3K1
	Decal.....	3K14
	NUMERICAL INDEX	4A4

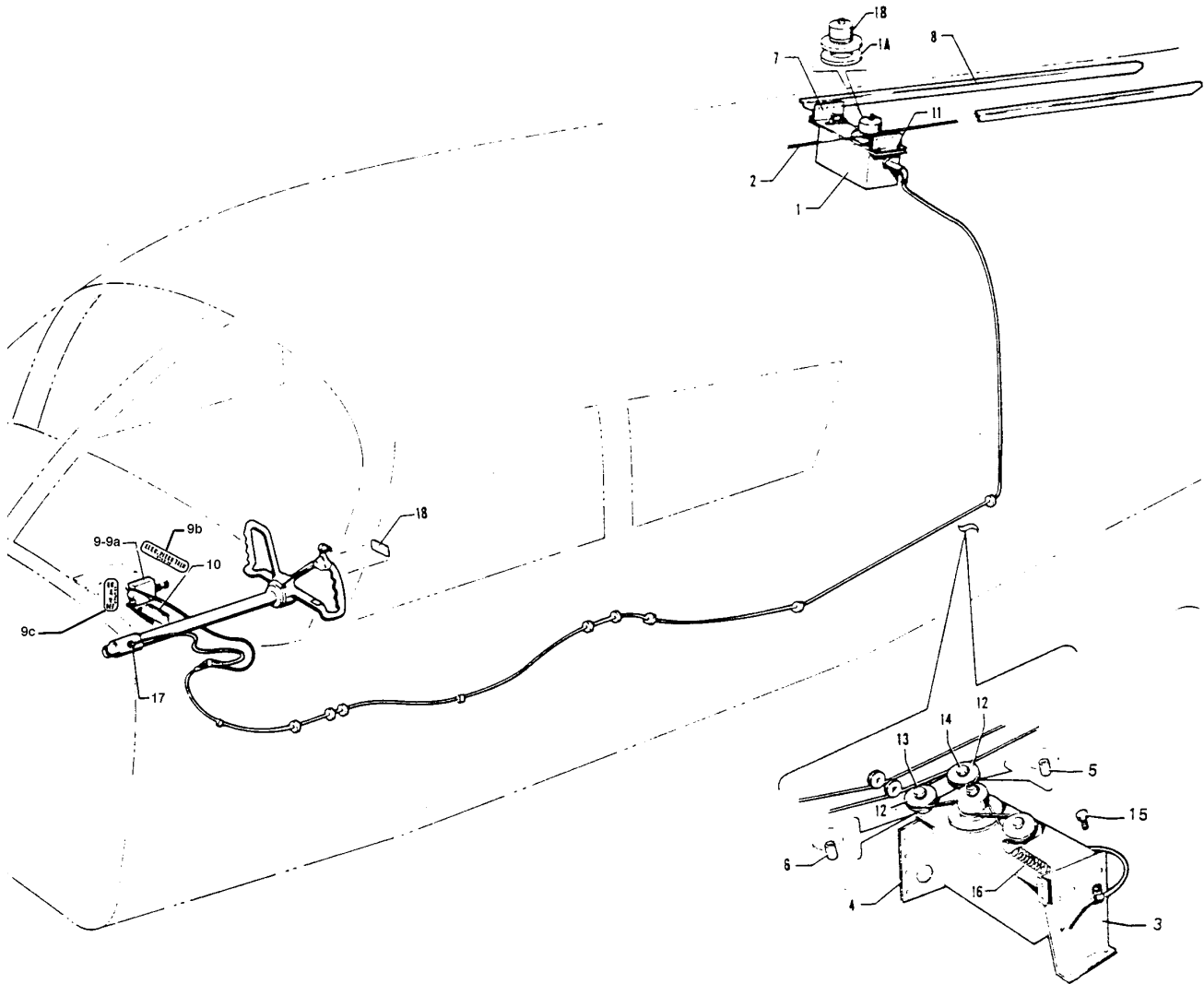


Figure 85. Electric Trim Installation

## PIPER PARTS CATALOG

Figure and Index Number	Part Number	Code	NOMENCLATURE	No. Req.	SERIAL NUMBERS AFFECTED
85-	63529	A	DRAWING - Electric Trim Installation		28-10720 to 11039 inclusive
	65650	B	DRAWING - Electric Trim Installation		
	67496	D	DRAWING - Electric Trim Installation		
	66719	E	DRAWING - Electric Trim Installation		
-1	65821-00	C,F	SERVO ASSEMBLY - Trim	1	
	65821-02	C,G	SERVO ASSEMBLY - Trim	1	
	65821-05	H	SERVO ASSEMBLY - Trim	1	
-1a	494 159		* WASHER - Servo friction (24696-00)	1	
-1b	581 126		* PLATE - Servo clutch, outer (24695-00)	1	
			A - Used on PA-28-150, PA-28-160 and PA-28-180 with serial numbers 28-2172 to 28-4377 inclusive, PA-28-235 with serial numbers 28-10606 to 28-10719 inclusive, and PA-28-140 with serial numbers 28-20002 to 28-24999 inclusive.		
			B - Used on PA-28-235 airplanes only.		
			C - Trim servo assembly is no longer available. Order Electric Trim Servo Replacement Kit 763 850v. Also order electric trim switch P/N 67443-04 if a bowtie style control wheel is installed or electric trim switch P/N 761 039v if a ramshorn style control wheel is installed.		
			D - Used on PA-28-140 with serial numbers 28-7325001 and up, PA-28-180 with serial numbers 28-4378 and up, PA-28-235 with serial numbers 28-11040 and up, PA-28R-180 and PA-28R-200 airplanes.		
			E - Used on PA-140 with serial numbers 28-25000 to 28-7225612 inclusive.		
			F - Used on PA-28-150, PA-28-160 and PA-28-180 with serial numbers 28-2172 to 28-4377 inclusive, PA-28-235 with serial numbers 28-10606 to 28-10719 inclusive, and PA-28-140 with serial numbers 28-20002 to 28-7225612 inclusive.		
			G - Used on PA-28-140 with serial numbers 28-7325001 to 28-7525095 inclusive, PA-28-180 with serial numbers 28-4378 to 28-7505079 inclusive, PA-28-235 with serial numbers 28-10720 to 28-7510027 inclusive, PA-28R-200 with serial numbers 28R-30482, 28R-35001 to 28R-7535076 inclusive, and PA-28R-180 airplanes.		
			H - Used on PA-28-140 with serial numbers 28-7525096 and up, PA-28-180 with serial numbers 28-7505080 and up, PA-28-235 with serial numbers 28-7510028 and up and PA-28R-200 with serial numbers 28R-7535077 and up. Also used on PA-28-140 with serial numbers 28-20002 to 28-7525095 and PA-28-150, PA-28-160 and PA-28-180 with serial numbers 28-2172 to 28-7505079 inclusive, PA-28-235 with serial numbers 28-10606 to 28-7510027 inclusive, PA-28R-200 with serial numbers 28R-30482, 28R-35001 to 28R-7535076 inclusive and PA-28R-180 if Electric Trim Servo Replacement Kit 763 850 has been installed.		

When ordering, always specify Part Number, Description, and Serial Number of Aircraft

**PIPER PARTS CATALOG**

Figure and Index Number	Part Number	Code	NOMENCLATURE	No. Req.	SERIAL NUMBERS AFFECTED
85-2	62701-44	F	CABLE ASSEMBLY - Front stabilator trim	1	
	62701-57	A	CABLE ASSEMBLY - Front stabilator trim	1	
	62701-111	B	CABLE ASSEMBLY - Front stabilator trim	1	
-3	68674-00	C	BRACKET ASSEMBLY - Electric trim	1	
-4	68676-00	C	BRACKET - Electric trim	1	
-5	63900-66	C	BUSHING - Electric trim	1	
-6	63900-67	C	BUSHING - Electric trim	1	
-7	66757-00	F	BRACKET- Servo mounting	2	
-8	65 114-00	F	STRINGER - Servo mounting	2	
-9	454 656	G,W	CIRCUIT BREAKER - (PS50120-3-7)	1	
	67445-00	E	SWITCH ASSEMBLY - Pitch trim	1	
	764 401	E	PITCH TRIM SWITCH -Replacement kit	1	
-9a	587 923	D,E	SWITCH -Pitch trim (PS10095-1)	1	
-9b	87369-38	D,E	PLACARD - Electric pitch trim	1	
-9c	87369-39	D,E	PLACARD - On-off	1	
-10	67490-02	E,H	PLACARD- Pitch trim	1	
-11	415 754	F,W	SCREW - (AN515-832R8)	4	
	690 616	F,W	WASHER - (NAS1149FN832P)	4	
	404 529	F,W	NUT - (MS21042-08) 4		
-12	481 640	C	PULLEY - (MS24566- 1B)	2	
-13	400 443	C	BOLT - (AN3- 12A)	1	
	690 612	C,W	WASHER - (NAS1149F0363P)	1	
	404 526	C,W	NUT - (MS21042-3) 1		
-14	400 444	C	BOLT - (AN3- 13A)	1	
	690 612	C,W	WASHER - (NAS1149F0363P)	1	
	404 526	C,W	NUT - (MS21046-3) 1		
			A - Used on PA-28-180 with serial numbers 28-4378 to 28-7205328 inclusive, PA-28-235 with serial numbers 28-10720 to 28-7210033 inclusive, PA-28R-180 with serial numbers 28R-30005 to 28R-7130019 inclusive, PA-28R-200 with serial numbrs 28R-30482, 28R-35001 to 28R-7135238 inclusive, and PA-28-140 with serial numbers 28-7325001 and up.		
			B - Used on PA-180 with serial numbers 28-7305001 and up, PA-28-235 with serial numbers 28-7310001 and up and PA-28R-200 with serial numbers 28R-7235001 and up.		
			C - Used on PA-28-140 with serial numbers 28-7325001 and up, PA-28-180 with serial numbers 28-4378 and up, PA-28-235 with serial numbers 28-10720 and up,PA-28R-180 and PA-28R-200		
			D - Used if Pitch Trim Switch Replacement Kit 764 401 has been installed.		
			E - Used on PA-28-140 with serial numbers 28-25000 and up. PA-28-180 with serial numbers 28-4378 and up. PA-28-235 with serial numbers 28-11040 and up, PA-28R-180 and PA-28R-200.		
			F - Used on PA-28-150, PA-28-160 and PA-28-180 with serial numbers 28-2172 to 28-4377 inclusive, PA-28-235 with serial numbers 28-10606 to 28-10719 inclusive, and PA-28-140 with serial numbers 28-20002 to 28-7225612 inclusive.		
			G - Used on PA-28-150, PA-28-160 and PA-28-180 with serial numbers 28-2172 to 28-4377 inclusive, PA-28-235 with serial numbers 28-10606 to 28-11039 inclusive, and PA-28-140 with serial numbers 28-20002 lo 28-24999 inclusive.		
			H - Used if a push on-off pitch trim switch is installed.		
			W - These parts must be ordered from Service Spares Department, Piper Aircraft, Vero Beach, Florida.		

When ordering, always specify Part Number, Description, and Serial Number of Aircraft

## PIPER PARTS CATALOG

Figure and Index Number	Part Number	Code	NOMENCLATURE	No. Req.	SERIAL NUMBERS AFFECTED
85-15	401 266	A,W	BOLT - (AN3-5A)	2	
	690 612	A,W	WASHER - (NAS1149F0363P)	2	
	404 526	A.W	NUT- (MS21042-3)	2	
-17	434 126	W	GROMMET- (AN931-3-5)	1	
-16	65784-00		SPRING - Electric trim	1	
-18	66751-00		PLACARD - Electric trim (control wheel)	1	
<p>A - Used on PA-28-140 with serial numbers 28-7325001 and up, PA-28-180 with serial numbers 28-4378 and up, PA-28-235 with serial numbers 28-10720 and up, PA-28R-180 and PA-28R-200.</p> <p>W - These parts must be ordered from Service Spares Department, Piper Aircraft, Vero Beach, Florida.</p>					

When ordering, always specify Part Number, Description, and Serial Number of Aircraft

---

# PIPER PARTS CATALOG

---

3H24  
INTENTIONALLY LEFT BLANK

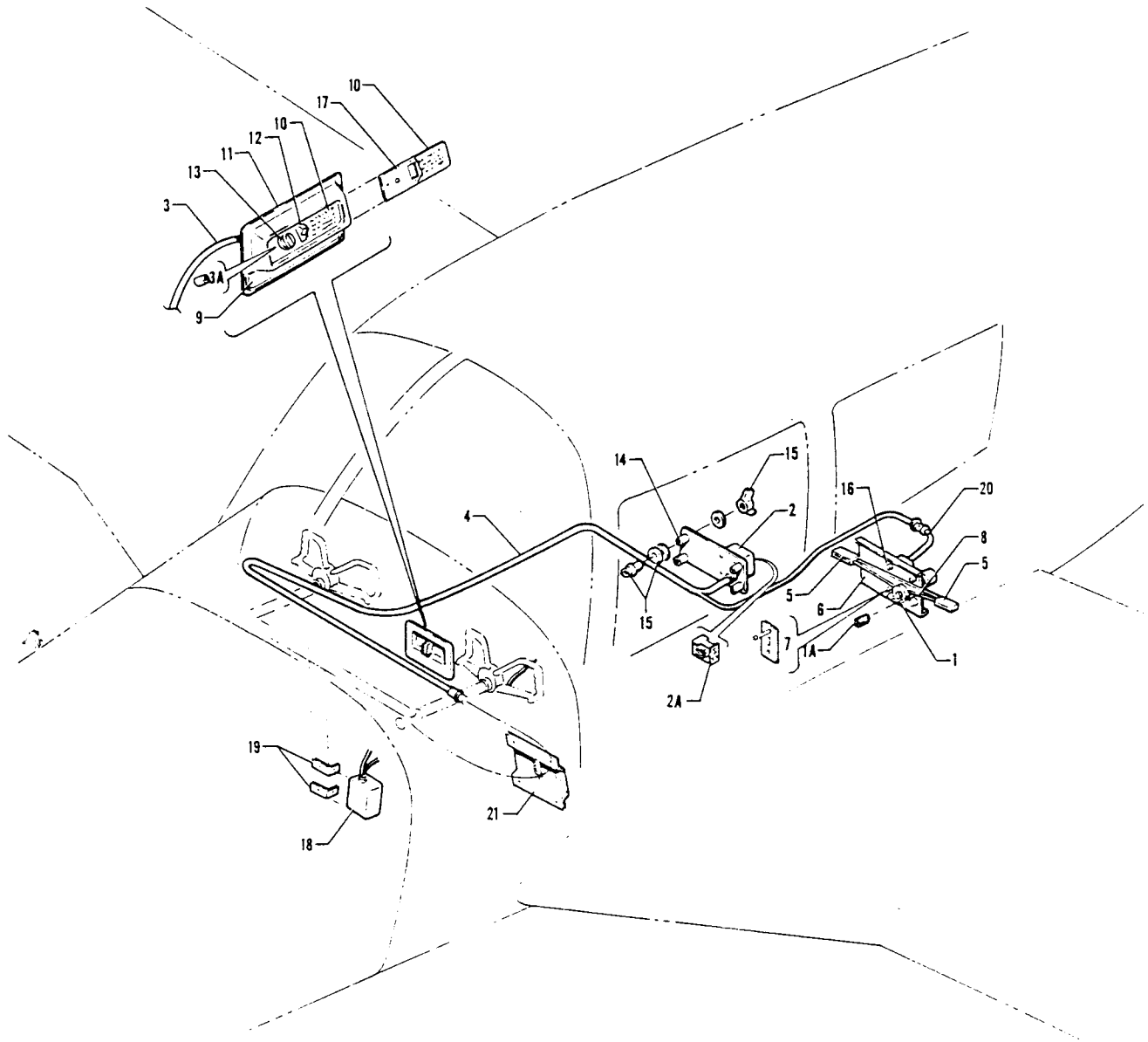


Figure 86. AutoFlite Installation  
 (PA 28-150-160-180 - Serial Nos. 28-1231 to 28-5869 inclusive)  
 (PA-28-140 - Serial Nos. 28-20002 to 28-26956 inclusive)  
 (PA-28-235 - Serial Nos. 28-10003 to 28-11393 inclusive)  
 (PA-28R-180 - Serial Nos. 28R-30005 to 28R-30481 inclusive 28R-30483 to 28R-31279 inclusive)  
 (PA-28R-200 - Serial Nos 28R-30482, 28R-35001 to 28R-35830 inclusive)



### PIPER PARTS CATALOG

Figure and Index Number	Part Number	Code	NOMENCLATURE	No. Req.	SERIAL NUMBERS AFFECTED
86-	65755	G	DRAWING - AutoFlite Installation		
	67497	G	DRAWING - AutoFlite Installation		
-1	753 721	E,J,W	SERVO-Roll (1D363-183R)	1	
	757 595	E,J	SERVO-Roll (1C363-1-183R)	1	
-1a	757 579	W	SET SCREW-Capstan (3S326)	1	
-2	751 278	W	AMPLIFIER ASSEMBLY - Gyro (1C359-1)	1	
-2a	756 052	W	RELAY - Gyro amplifier (80511)	1	
-3	757 855		CABLE ASSEMBLY - (30C280)	1	
-3a	757 592	F	SPACER - AutoFlite trim shaft (43A370)	1	
4	753 978		CABLE ASSEMBLY - (30B184-3)	1	
-5	757 863	W, H	CLAMP ASSEMBLY - Bridle cable (42A173-1)	2	
-6	453 425	C	BRACKET - Servo mounting (7C511-3)	1	
	453 426	D	BRACKET - Servo mounting (7C511-2)	1	
-7	751 897		GUARD - Cable (7A508-1)	1	
-8	753 980		CABLE - Bridle (30B200)	1	
-9	68821-00	G	PLACARD - AutoFlite console	1	
-10	68825-00	G	PLACARD - AutoFlite instruction (without tracker)	1	
	67492-00	B	PLACARD - AutoFlite instruction (without tracker)	1	
	66800-00		PLACARD - AutoFlite instruction (with tracker)	1	
-11	68824-00	G	PANEL - AutoFlite trim	1	
<p>A - Used on PA-28-150, PA-28-160 and PA-28-180 with serial numbers 28-1231 to 28-5869 inclusive, PA-28-140 with serial numbers 28-20002 to 28-26956 inclusive, PA-28-235 with serial numbers 28-10003 to 28-11393 inclusive, PA-28R-180 with serial numbers 28R-30005 to 28R-30481 inclusive, 28R-30483 to 28R-31279 inclusive, and PA-28R-200 with serial numbers 28R-30482, 28R-35001 to 28R-35830 inclusive.</p> <p>B - Used on PA-28-180 with serial numbers 28-4378 to 28-5869 inclusive, PA-28R-180 with serial numbers 28R-30005 to 28R-30481 inclusive, 28R-30483 to 28R-31279 inclusive, PA-28-235 with serial numbers 28-11040 to 28-11393 inclusive, PA-28-140 with serial numbers 28-25000 to 28-26956 inclusive, and PA-28R-200 with serial numbers 28R-30482, 28R-35001 to 28R-35830 inclusive.</p> <p>C - Used on PA-28-140, PA-28-150, PA-28-160, PA-28-180 and PA-28-235 airplanes only.</p> <p>D - Used on PA-28R-180 and PA-28R-200 airplanes only.</p> <p>E - Ascertain servo model number when ordering.</p> <p>F - Used when tracker is not installed.</p> <p>G - Used on PA-28-150, PA-28-160 and PA-28-180 with serial numbers 28-1231 to 28-4377 inclusive, PA-28-140 with serial number 28-20002 to 28-24999 inclusive, and PA-28-235 with serial numbers 28-10003 to 28-11039 inclusive.</p> <p>H - Reference Service Bulletin 279 to improve the bridle cable clamp attachment and eliminate the possibility of cable slippage.</p> <p>J - Reference latest revision to Service Letter 566 on AutoPilot Servo Spacer Bushing Installation for PA-28-140 aircraft with serial numbers 28-24689 to 28-26946 inclusive, PA-28-180 with serial numbers 28-5058 to 28-5859 inclusive, PA-28-235 with serial numbers 28-11078 to 28-11378 inclusive, PA-28R-180 with serial numbers 28R-30881 to 28R-31270 inclusive and PA-28R-200 with serial numbers 28R-35001 to 28R-35820 inclusive.</p> <p>W - These parts must be ordered from Service Spares Department, Piper Aircraft, Lock Haven, Penna.</p>					

When ordering, always specify Part Number, Description, and Serial Number of Aircraft

### PIPER PARTS CATALOG

Figure and Index Number	Part Number	Code	NOMENCLATURE	No. Req.	SERIAL NUMBERS AFFECTED
86-12	487 901		SWITCH - (8134-K21A1V-50)	1	
-13	571 087		KNOB - Trim (R8-31)	1	
-14	467 066		ISOLATOR - Vibration (JA-69848)	4	
-15	404 751		NUT - Wing (AN350-832)	4	
	408 043		WASHER - (MS35333-38)	8	
	690 618	W	WASHER- (NAS1149FN816P)	4	
	406 863	W	RIVNUT- (A8K-75)	4	
-16	400 438	W	BOLT - (AN3-4A)	4	
	690 612	W	WASHER - (NAS1149F0363P)	4	
	404 887	W	NUT - (MS20365-1032C)	4	
-17	67495-00	C	PLATE - AutoFlite placard	1	
-18	596 032		TRACKER - Omni (1D482)	1	
-19	67485-00		BRACKET - Omni tracker	2	
-20	757 878	D	CAB LE ASSEMBLY - Roll servo (30A211-8R )	1	
-21	66798-00	B	BRACKET - AutoFlite	1	
<p>A - Used on PA-28-150, PA-28-160 and PA-28-180 with serial numbers 28-1231 to 28-5869 inclusive, PA28-140 with serial numbers 28-20002 to 28-26956 inclusive, PA-28-235 with serial numbers 28-10003 to 28-11393 inclusive, PA-28R-180 with serial numbers 28R-30005 to 28R-30481 inclusive, 28R-30483 to 28R-31279 inclusive, and PA-28R-200 with serial numbers 28R-30482, 28R-35001 to 28R-35830 inclusive.</p> <p>B - Used on PA-28-140 with serial numbers 28-25401 to 28-26956 inclusive, PA-28-235 with serial numbers 28-11236 to 28-11393 inclusive, PA-28-180 with serial numbers 28-5428 to 28-5869 inclusive, PA-28R-180 with serial numbers 28R-31093 to 28R-31279 inclusive, and PA-28R-200 with serial numbers 28R-35187 to 28R-35830 inclusive</p> <p>C - Used on PA-28-180 with serial numbers 28-4378 to 28 5428 inclusive, PA-28-235 with serial numbers 28-11040 to 28-11235 inclusive, PA-28-140 with serial numbers 28-25000 to 28-25400 inclusive, PA-28R-180 with serial numbers 28R-30005 to 28R-30481 inclusive, 28R-30483 to 28R-31093 inclusive, and PA-28R-200 with serial numbers 28R-30482, 28R-35001 to 28R-35187 inclusive.</p> <p>D - Used with servo model 1C363-1-183R only.</p> <p>W - These parts must be ordered from Service Spares Department, Piper Aircraft, Lock Haven, Penna.</p>					

When ordering, always specify Part Number, Description, and Serial Number of Aircraft

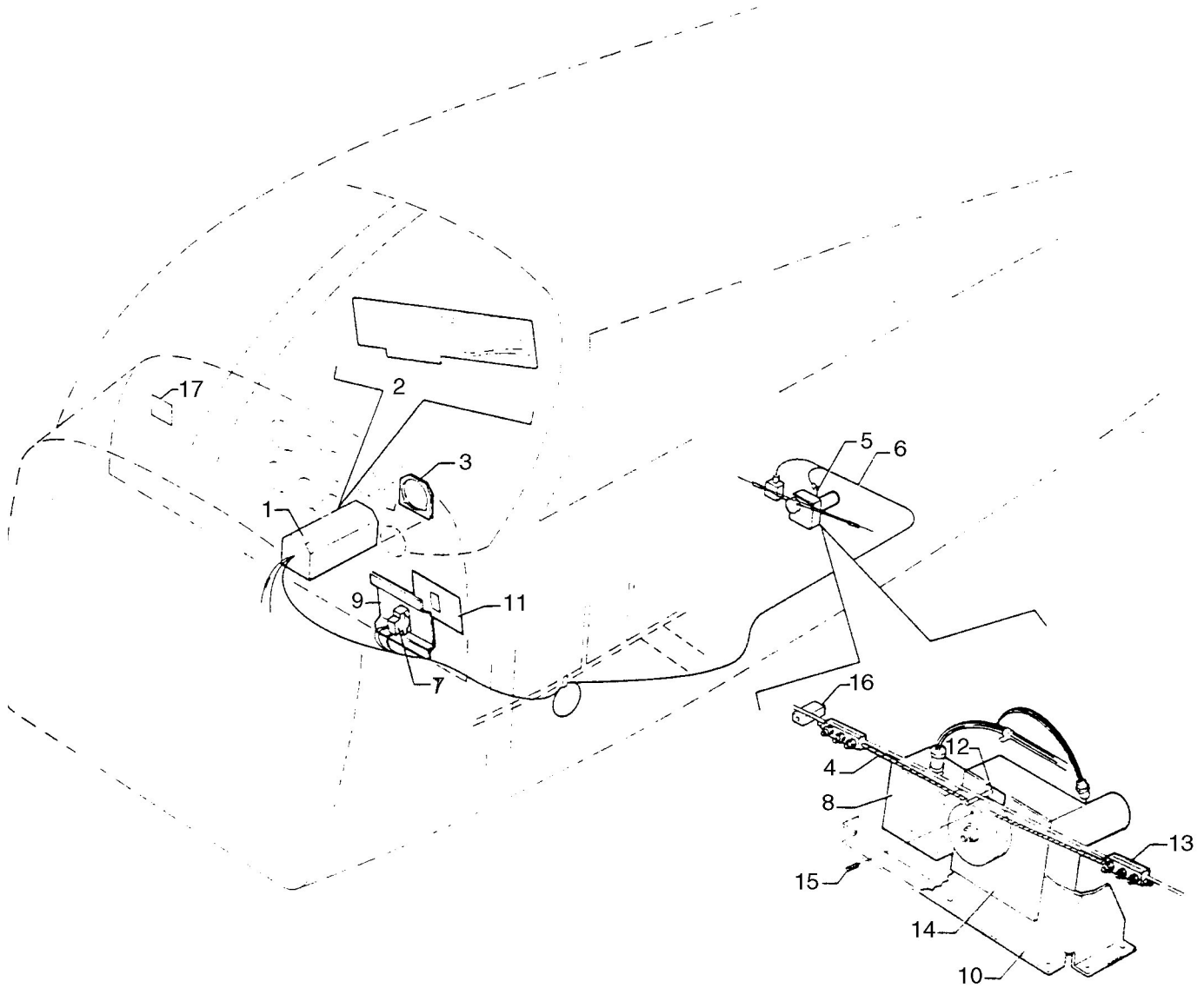


Figure 86A. AutoFlite II Installation  
(PA-28 140 - Serial Nos. 28-7125001 and up)  
(PA-28-180 - Serial Nos. 28-7105001 and up)  
(PA-28-235 - Serial Nos. 28-7110001 and up)  
(PA-28R-180 - Serial Nos. 28R-7130001 and up)  
(PA-28R-200 - Serial Nos. 28R-7135001 and up)

### PIPER PARTS CATALOG

Figure and Index Number	Part Number	Code	NOMENCLATURE	No. Req.	SERIAL NUMBERS AFFECTED
86A-	99447		DRAWING - AutoFlite II Installation		
-1	52586-02	B,W	INSTRUMENT - Turn and bank (52D75-3)	1	
	755 432	C	INSTRUMENT - Turn and bank (52D75-4)	1	
-2	758 188	C	* TRACKER BOARD - Printed circuit (1D628)	1	
-3	99209-00		PLATE - Turn and bank mounting	1	
-4	753 980		CABLE - Bridle (30B200)	1	
-5	757 878		CABLE ASSEMBLY - Roll servo (30A211-8R)	1	
-6	757 913		CABLE ASSEMBLY - (30C379-1)	1	
-7	487 901		SWITCH - (8134-K21A1V-50)	1	
-8	758 181		BOX- Relay(1A526)	1	
-9	66798-00		BRACKET- AutoFlite II	1	
-10	453 425	D	BRACKET - Servo mounting (7C511-3)	1	
	453 426	E	BRACKET - Servo mounting (7C511-2)	1	
-11	99448-00		PLACARD - AutoFlite II	1	
-12	751 897		GUARD - Cable (7A508-1)	1	
-13	757 863	W, F	CLAMP ASSEMBLY - Bridle cable (42A173-1)	2	
-14	757 595	G	SERVO - Roll (1C363- 1- 183R)	1	
-15	757 579	W	SET SCREW - Capstan (3S326)	1	
-16	7 58 296		BLOCK - Rub (7A1373)	1	
-17	454 656	W	CIRCUIT PROTECTOR - (PS50120-3-7) 5 amp	1	
			<p>A - Used on PA-28-140 with serial numbers 28-7125001 and up, PA-28-180 with serial numbers 28-7105001 and up, PA-28-235 with serial numbers 28-7110001 and up, PA-28R-180 with serial numbers 28R-7130001 and up, and PA-28R-200 with serial numbers 28R -7135001 and up.</p> <p>B - Used if AutoFlite II without tracker is installed.</p> <p>C - Used if AutoFlite II with tracker is installed.</p> <p>D - Used on PA-28-140, PA-28-180 and PA-28-235 airplanes only.</p> <p>E - Used on PA-28R-180 and PA-28R-200 airplanes only.</p> <p>F - Reference Service Bulletin 279 to improve the bridle cable clamp attachment and eliminate the possibility of cable slippage.</p> <p>G - Reference latest revision to Service Letter 566 on AutoPilot Servo Spacer Bushing Installation for PA-28-140 aircraft with serial numbers 28-24689 to 28-26946 inclusive, PA-28-180 with serial numbers 28-5058 to 28-5859 inclusive, PA-28-235 with serial numbers 28-11078 to 28-11378 inclusive, PA-28R-180 with serial numbers 28R-30881 to 28R-31270 inclusive and PA-28R-200 with serial numbers 28R-35001 to 28R-35820 inclusive. Also reference Service Letter 695 on Roll Servo Inspection, Maintenance and Shear Pin Installation.</p> <p>W - These parts must be ordered from Service Spares Department, Piper Aircraft, Lock Haven, Penna.</p>		

When ordering, always specify Part Number, Description, and Serial Number of Aircraft

PA-28-140  
PA-28-180  
PA-28-235  
PA-28R-180  
PA-28R-200

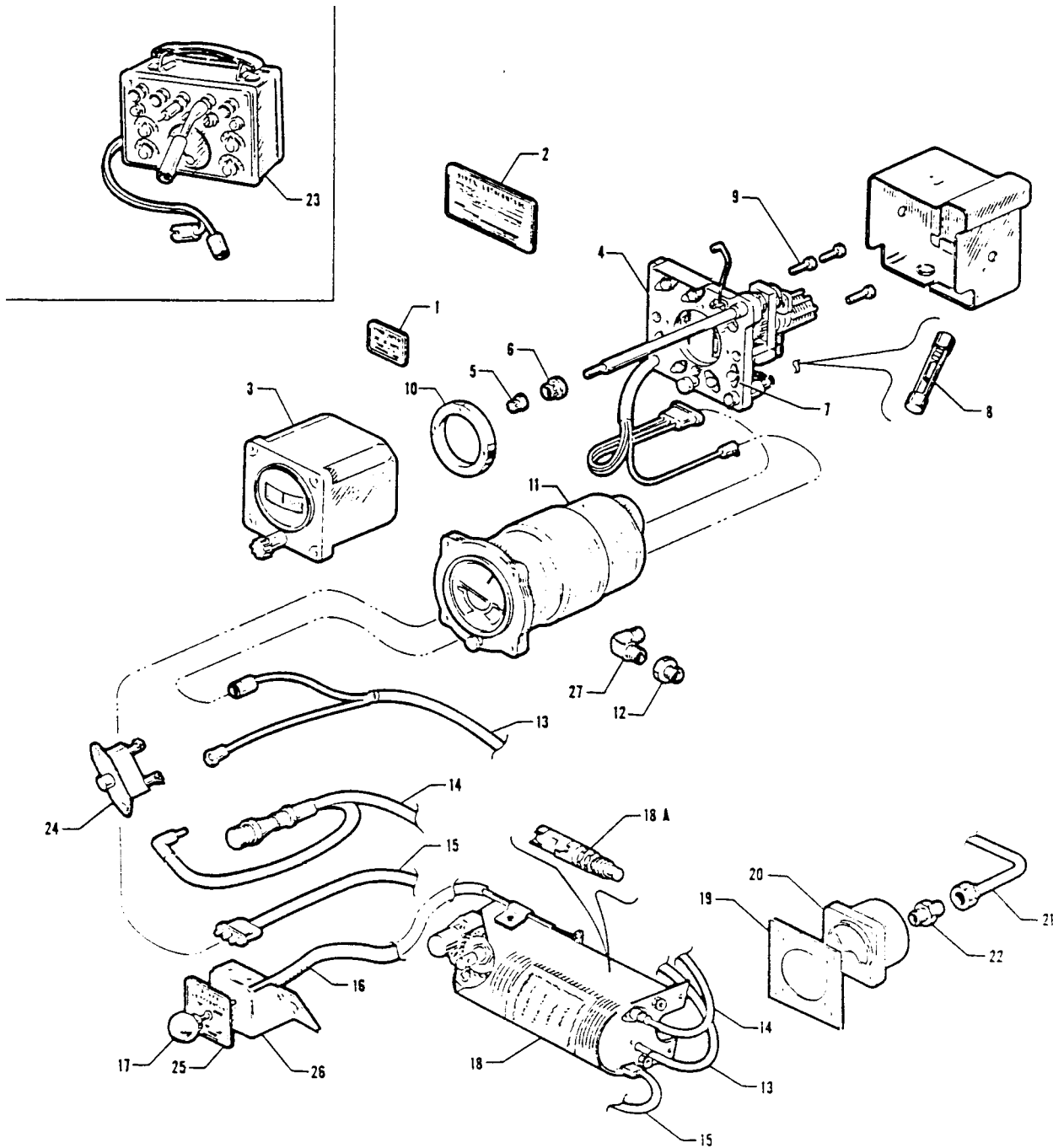


Figure 87. Auto Control I Installation

**PIPER PARTS CATALOG**

Figure and Index Number	Part Number	Code	NOMENCLATURE	No. Req.	SERIAL NUMBERS AFFECTED
87-	62794		DRAWING -AutoControl I Installation		
- 1	19563-00	W	PLACARD - Auto Control (D.G. operations )	1	
-2	19561-00	W	PLACARD - AutoControl (operations)	1	
-3	550 640	A,W	INSTRUMENT- Directional gyro (30987-02)	1	
-4	751 232	W	AMPLIFIER - (Complete)	1	
-5	754 210	W	KNOB - Trim	1	
-6	754 209	W	KNOB - Turn	1	
-7	753 004	W	TRANSISTOR - (2N250)	1	
-8	751 783	W	FUSE- 10amp (AGC-10)	1	
-9	752 956	W	SCREW - Attaching	3	
-10	752 955	W	RING - Spacer	1	
-11	550 642	A,W	INSTRUMENT - Gyro horizon (31053-02)	1	
-12	453 653	W	BUSHING - (3224-2)	1	
-13	753 861		CABLE ASSEMBLY - Power supply	1	
-14	751 521	W	CABLE ASSEMBLY - (Gyros to servo)	3	
-15	751 525	W	CABLE ASSEMBLY - (Directional gyro to servo)	1	
-16	753 860		CABLE ASSEMBLY - Engage control	1	
-17	754 211	W	KNOB - Engage control cable	1	
-18	753 622		MOTOR ASSEMBLY - Roll servo	1	
-18a	752 967	W	SWITCH - Roll servo (40518)	1	
-19	11199-03	W	PLATE - Mounting	1	
-20	450 648	W	INSTRUMENT - Suction gauge (150/160/180)	1	28-1 to 28-1444 inclusive
	450 648	W	INSTRUMENT - Suction gauge (235)	1	28-10003 to 28-10152 incl.
	550 629		INSTRUMENT - Suction gauge (140/150/160/180)	1	28-1445 and up
	550 629		INSTRUMENT - Suction gauge (235)	1	28-10153 and up
-21	14994-00	W	LINE ASSEMBLY - Suction gauge	1	
-22	476 647	W	NIPPLE - (AN816-3D)	1	
-23	751 412	W	TEST EQUIPMENT	1	
-24	454 664	W	CIRCUIT BREAKER - (PS5012-3-4)	1	
-25	19562-00	W	PLACARD - Control engage	1	
-26	14990-00	W	BRACKET - Control mounting	1	
-27	458 893	W	ELBOW - (AN822-3D)	2	
			A - No longer available.		
			W - These parts must be ordered from Service Spares Department, Piper Aircraft, Lock Haven, Penna.		

When ordering, always specify Part Number, Description, and Serial Number of Aircraft

PA-28-140  
PA-28-150  
PA-28-160  
PA-28-180  
PA-28-235

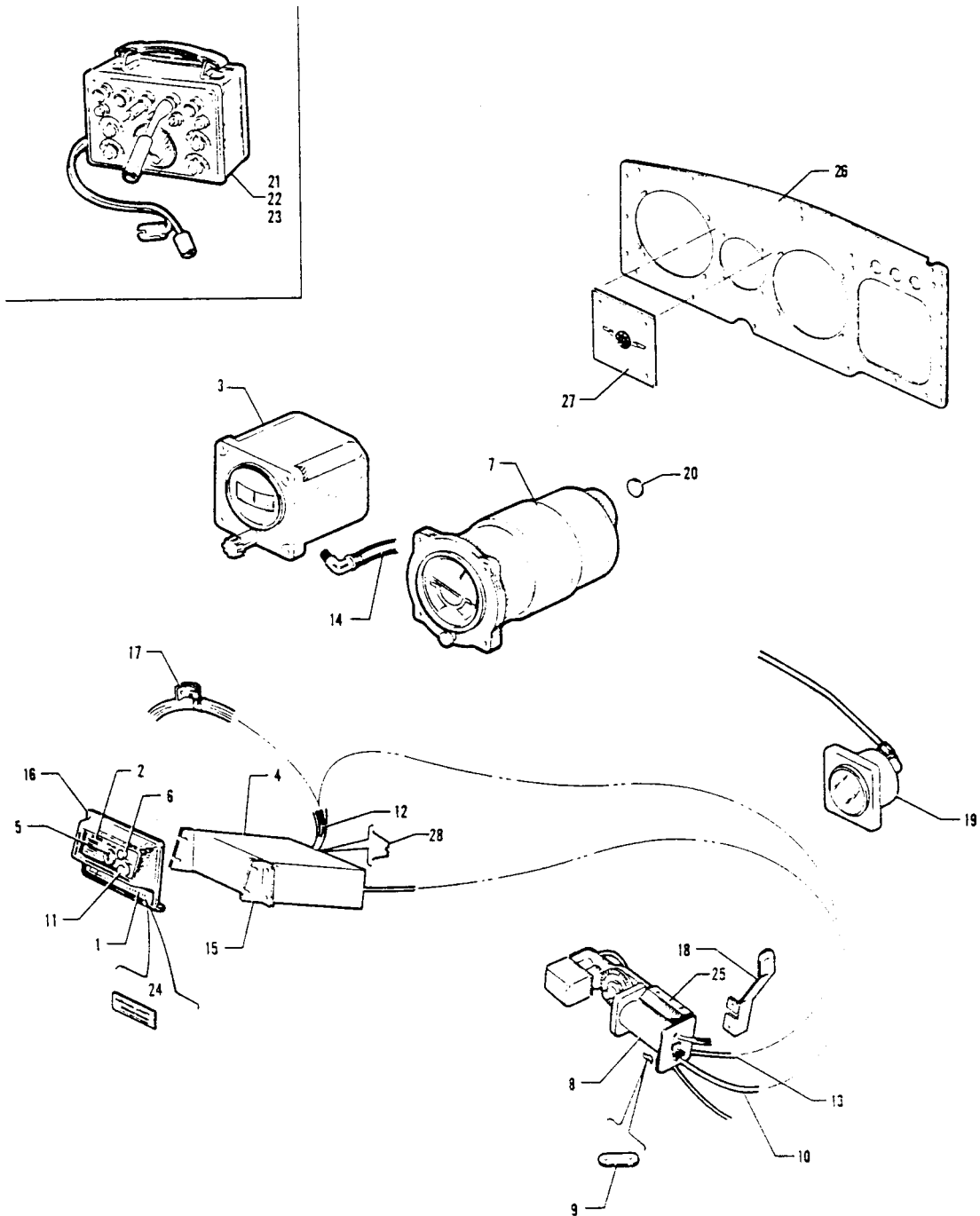


Figure 88. AutoControl II Installation  
(PA-28-140 - Serial Nos. 28-20002 to 28-24999 incl.)  
(PA-28-150-160-180 - Serial Nos. 28-1231 to 28-4377 incl.)  
(PA-28-235 - Serial Nos. 28-10003 to 28-11039 incl.)

**PIPER PARTS CATALOG**

Figure and Index Number	Part Number	Code	NOMENCLATURE	No. Req.	SERIAL NUMBERS AFFECTED
88-	62863	D	DRAWING - AutoControl II Installation	1	
	62990	E	DRAWING - AutoControl II Installation	1	
-1	62170-00		PLACARD - AutoControl II console	1	
-2	62163-00	DF	PLACARD - Operation	1	
	62983-00	EF	PLACARD - Operation	1	
	63559-00	EG	PLACARD - Operation	1	
	65524-00	CG	PLACARD - Operation	1	
-3	550 640	FJW	INSTRUMENT - Directional gyro (30987-02)	1	
	550 643	GJW	INSTRUMENT - Directional gyro (31058-02)	1	
	550 779	GW	INSTRUMENT - Directional gyro (32169-00) (3 inch)	1	
-4	753 877	W	AMPLIFIER - (complete) (1X214E) (unventilated cover)	1	
	751 262	W	AMPLIFIER - (complete) (1X214E-3) (ventilated cover)	1	
-5	754 366	W	KNOB - Turn and trim (36A77)	1	
-6	756 720	W	BUTTON - Heading lock (36S93)	1	
-7	550 642	JW	INSTRUMENT - Gyro horizon (31053-02)	1	
	550 777	W	INSTRUMENT - Gyro horizon (32167-00) (3 inch)	1	
-8	753 642		MOTOR ASSEMBLY - Roll servo (1X221E-CH)	1	
-9	752 333	W	LEVER - Engage (30A83)	1	
-10	753 876		CABLE ASSEMBLY - Engage control (30A139-40)	1	
-11	756 716	W	KNOB - Engage control cable (36S92)	1	
-12	751 954	W	HARNESSE ASSEMBLY - (30B116-1)	1	
-13	751 525	W	CABLE ASSEMBLY - Servo motor (30A53-22)	1	
-14	753 036	W	HOSE - Air, amplifier to directional gyro (47A147-24)	1	
-15	62146-00		CLIP - Amplifier mounting, left	1	
	62146-01		CLIP - Amplifier mounting, right	1	
-16	62147-03		PANEL - AutoFlite trim	1	28-1 to 28-1410 inclusive
	62198-03	H	PANEL - AutoFlite trim	1	28-1410 to 28-1760 inclusive
	62198-03	C	PANEL - AutoFlite trim	1	28-20002 to 28-24999 inclusive
	62198-03	B	PANEL - AutoFlite trim	1	28-10003 to 28-10486 inclusive
	62984-00	E	PANEL - AutoFlite trim	1	
			A - Used on PA-28-140 with serial numbers 28-20002 to 28-24999 inclusive, PA-28-150, PA-28-160 and PA-28-180 with serial numbers 28-1231 to 28-4377 inclusive, and PA-28-235 with serial number 23-10003 to 28-11039 inclusive.		
			B - Used on PA-28-235 airplanes only.		
			C - Used on PA-28-140 airplanes only.		
			D - Used on PA-28-150, PA-28-160 and PA-28-180 with serial numbers 28-1231 to 28-1760 inclusive, PA-28-235 with serial numbers 28-10003 to 28-10486 inclusive, and PA-28-140 with serial numbers 28-20002 to 28-24999 inclusive.		
			E - Used on PA-28-150, PA-28-160 and PA-28-180 with serial numbers 28-1761 to 28-4377 inclusive, and PA-28-235 with serial numbers 28-10487 to 28-11039 inclusive.		
			F - Used on AutoControl with "O" heading only.		
			G - Used on AutoControl with course selector only.		
			H - Used on PA-28-150, PA-28-160 and PA-28-180 airplanes only.		
			J - No longer available.		
			W - These parts must be ordered from service Spares Department, Piper Aircraft, Lock Haven, Penna.		

When ordering, always specify Part Number, Description, and Serial Number of Aircraft

PA-28-140  
PA-28-150  
PA-28-160  
PA-28-180  
PA-28-235



### PIPER PARTS CATALOG

Figure and Index Number	Part Number	Code	NOMENCLATURE	No. Req.	SERIAL NUMBERS AFFECTED
88-17	62161-00	F	ANGLE - Clamp support	1	
	63297-00	G	ANGLE - Clamp support	1	
-18	65064-00	D	BRACKET - Roll servo support	1	
	62280-00	CE	BRACKET - Roll servo support	1	28-10166 to 28-11039 incl.
-19	450 648	W	INSTRUMENT - Suction gauge "150" "160" "180",	1	28-1231 to 28-1444 inclusive
	450 648	W	INSTRUMENT - Suction gauge "235"	1	28- 10002 to 28-10152 incl.
	550 629		INSTRUMENT - Suction gauge "140" - "150"- "160"- "180"	1	28-1445 and up
	550 629		INSTRUMENT - Suction gauge "235"	1	28-10153 to 28-11039 inclusive
-20	755 825	W	PAD - Gyro instrument filter (not used on 3 inch gyros)	AR	
-21	751 412	W	TEST EQUIPMENT	1	
-22	756 737	W	ADAPTER - Test kit (66A44)	1	
-23	753 880	W	CABLE - Test (30B116-1-T)	1	
-24	62879-00	BC	PLACARD - AutoControl II limitations	1	
-25	65531-00		GUARD - Roll servo	1	
-26	68822-00		SUBPANEL - 3 inch gyros	1	
-27	11199-08	W	PLATE - Subpanel hole cover	1	
-28	756 257	W	SPRING - Retainer	1	
<p>A - Used on PA-28-140 with serial numbers 28-20002 to 28-24999 inclusive, PA-28-150, PA-28-160 and PA-28-180 with serial numbers 28-1231 to 28-4377 inclusive, and PA-28-235 with serial numbers 28-10003 to 28-11039 inclusive.</p> <p>B - Used on AutoControl with course selector only.</p> <p>C - Used on PA-28-235 airplanes only.</p> <p>D - Used when constant speed propeller is not installed.</p> <p>E - Used when constant speed propeller is installed.</p> <p>F - Used on PA-28-150, PA-28-160 and PA-28-180 with serial numbers 28-1231 to 28-1760 inclusive, PA-28-235 with serial numbers 28-10003 to 28-10486 inclusive, and PA-28-140 with serial numbers 28-20002 to 28-24999 inclusive.</p> <p>G- Used on PA-28-150, PA-28-160 and PA-28-180 with serial numbers 28-1761 to 28-4377 inclusive, and PA-28-235 with serial numbers 28-10487 to 28-11039 inclusive .</p> <p>W - These parts must be ordered from Service Spares Department, Piper Aircraft, Lock Haven, Penna</p>					

When ordering, always specify Part Number, Description, and Serial Number of Aircraft

PA-28-140  
PA-28-150  
PA-28-160  
PA-28-180  
PA-28-235

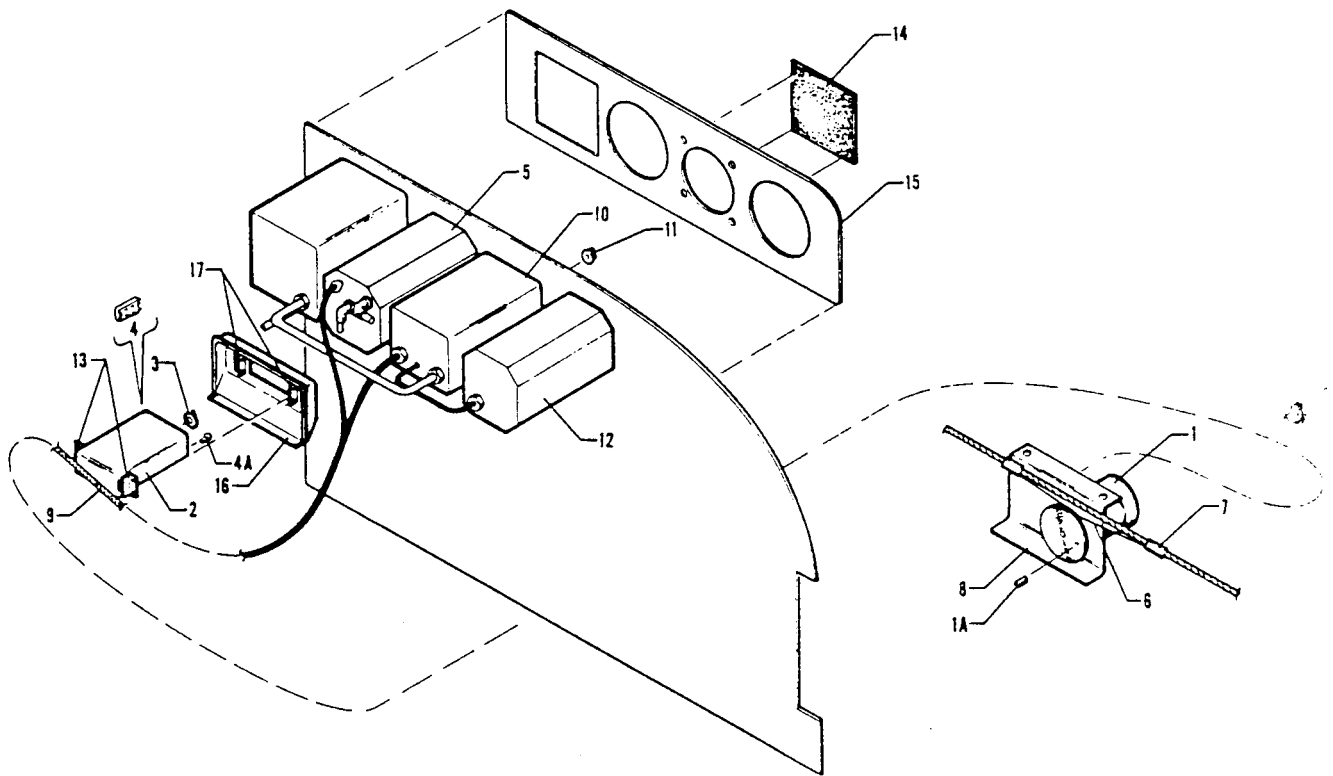


Figure 89. AutoControl III Installation  
 (PA-28-150-160-180 - Serial Nos. 28-3590 to 28-4377 inclusive)  
 (PA-28-235 - Serial Nos. 28-10741 to 28-11039 inclusive)

**PIPER PARTS CATALOG**

Figure and Index Number	Part Number	Code	NOMENCLATURE	No. Req.	SERIAL NUMBERS AFFECTED
89-	69122		DRAWING - AutoControl III Installation		
-1	753 721	W	SERVO ASSEMBLY - Roll (1D363-183R)	1	
-1a	757 579	W	SET SCREW - Capstan (3S326)	1	
-2	751 283	W	CONSOLE AMPLIFIER ASSEMBLY - AutoControl III (1C338 S/N 1 to 10000 incl.)	1	
-3	757 052	W	KNOB - (36A98)	1	
-4	757 581	W	SWITCH - Engage (40A22-4)	2	
-4a	753 496	W	BULB - Consolo (65S28)	2	
-5	550 780	W	INSTRUMENT - Gyro horizon (321 72-00) (3 inch)	1	
-6	753 980		CABLE ASSEMBLY - Bridle (30B200)	1	
-7	757 863	W,B	CLAMP ASSEMBLY - Bridle cable (42A173-1)	2	
	753 460		BRACKET - Mounting (7C511)	1	
-9	751 987	W	HARNESSE ASSEMBLY - Amplifier (30C198)	1	
-10	551 114	W	COUPLER ASSEMBLY-Omni (25690-00)	1	
-11	757 052	W	KNOB - (36A98)	1	
-12	550 778	W	INSTRUMENT - Directional gyro (32168-00) (3 inch)	1	
-13	69142-00		CLIP - Console mounting	2	
-14	11199-08	W	PLATE - Hole cover	1	
-15	68822-00		SUB-PANEL- 3 inch gyros	1	
-16	69121-00		COVER - AutoControl III console	1	
-17	62145-00		ANGLE - Console mounting	2	
<p>A - Used on PA-28-150, PA-28-160 and PA-28-180 with serial numbers 28-3590 to 28-4377 inclusive, and PA-28-235 with serial numbers 28-10741 to 28-11039 inclusive.</p> <p>B- Reference Service Bulletin 279 to improve the bridle cable clamp attachment and eliminate the possibility of cable slippage.</p> <p>W - These Parts must be ordered from Service Spares Department, Piper Aircraft, Lock Haven, Penna.</p>					

When ordering, always specify Part Number, Description, and Serial Number of Aircraft

PA-18-150  
PA-28-160  
PA-28-180  
PA-28-235

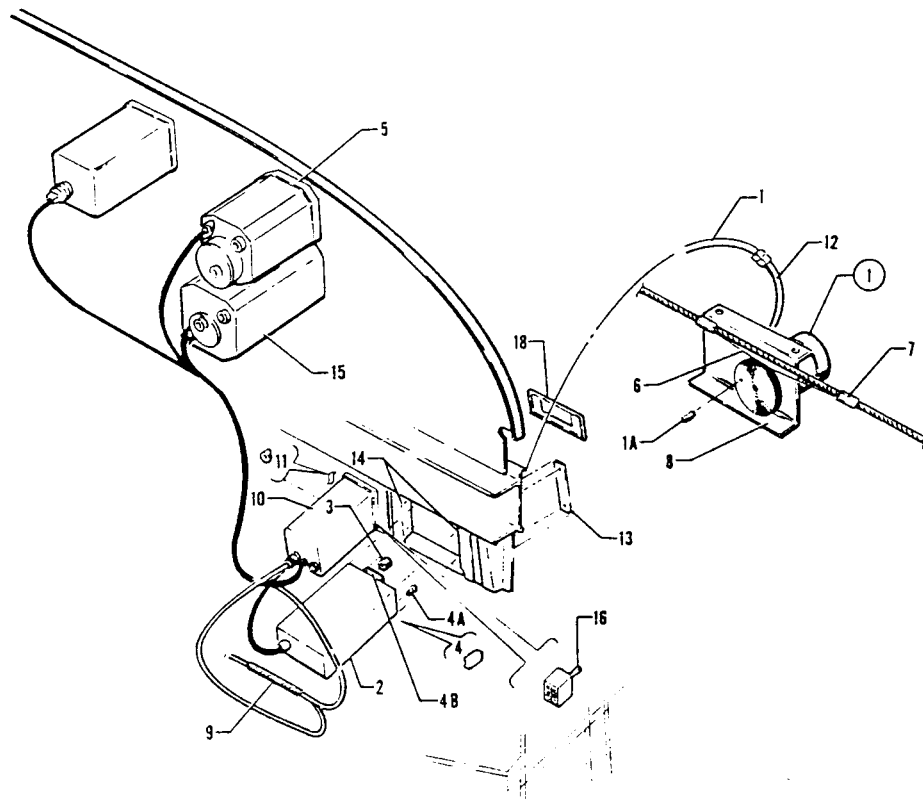


Figure 90. AutoControl III and III B Installation  
 (PA-28-140 - Serial Nos. 28-25000 and up)  
 (PA-28-180 - Serial Nos. 28-4378 and up)  
 (PA-28R-180 - Serial Nos. 28R-30005 to 28R-30481 inclusive, 28R-30483 and up)  
 (PA-28-235 - Serial Nos. 28-11040 and up)  
 (PA-28R-200 - Serial Nos. 28R-30482, 28R-35001 and up)

PA-28-140  
 PA-28-180  
 PA-28-235  
 PA-28R-180  
 PA-28R-200

**PIPER PARTS CATALOG**

Figure and Index Number	Part Number	Code	NOMENCLATURE	No. Req.	SERIAL NUMBERS AFFECTED
90-	67498	E	DRAWING - AutoControl III Installation		
	79221	F	DRAWING - AutoControl III and III B Installation		
-1	753 721	C,W	SERVO ASSEMBLY - Roll (1D363-183R)	1	
	757 595	C	SERVO ASSEMBLY - Roll (1C363-1-183R)	1	
-1a	757 579	W	SET SCREW - Capstan (3S326)	1	
-2	751 283	D,W	CONSOLE AMPLIFIER ASSEMBLY - AutoControl III (1C338 S/N 1 to 10000 inclusive)	1	
	758 023	B	CONSOLE AMPLIFIER ASSEMBLY - AutoControl III B (1C338 S/N 10001 and up)	1	
-3	757 052	W	KNOB - (36A98)	1	
-4	757 581	D,W	SWITCH - Engage (40A22-4)	2	
-4a	753 496	D,W	BULB - Console (65S28)	2	
-4b	758 024	B,W	CIRCUIT BOARD - Face plate light (includes 4 bulbs) 1B686	1	
-5	550 780	W	INSTRUMENT - Gyro horizon (32172-00) (3 inch)	1	
-6	753 980		CABLE ASSEMBLY - Bridle (30B200)	1	
-7	757 863	W, G	CLAMP ASSEMBLY - Bridle cable (42A173-1)	2	
<p>A - Used on PA-28-180 with serial numbers 28-4378 and up, PA-28-235 with serial numbers 28-11040 and up, PA-28-140 with serial numbers 28-25000 and up, PA-28R-180 and PA-28R-200 airplanes.</p> <p>B - Used on PA-28-140 with serial numbers 28-7525001 and up, PA-28-180 with serial numbers 28-7505001 and up, PA-28-235 with serial numbers 28-7510001 and up, and PA-28R-200 with serial numbers 28R-7535001 and up.</p> <p>C - Ascertain servo model number when ordering.</p> <p>D - Used on PA-28-140 with serial numbers 28-25000 to 28-7425454 inclusive, PA-28-180 with serial numbers 28-4378 to 28-7405290 inclusive, PA-28-235 with serial numbers 28-11040 to 28-7410120 inclusive, PA-28R-180 with serial numbers 28R-30005 to 28R-7130019 inclusive, and PA-28R-200 with serial numbers 28R-30482, 28R-35001 to 28R-7435331 inclusive.</p> <p>E - Used on PA-28-140 with serial numbers 28-25000 to 28-7325684 inclusive, PA-28-180 with serial numbers 28-4378 to 28-7305611 inclusive, PA-28-235 with serial numbers 28-11040 to 28-7310187 inclusive, PA-28R-180 with serial numbers 28R-30005 to 28R-7130019 inclusive, and PA-28R-200 with serial numbers 28R-30482, 28R-35001 to 28R-7335455 inclusive.</p> <p>F - Used on PA-28-140 with serial numbers 28-7425001 and up, PA-28-180 with serial numbers 28-7405001 and up, PA-28-235 with serial numbers 28-7410001 and up, and PA-28R-200 with serial numbers 28R-7435001 and up.</p> <p>G - Reference Service Bulletin 279 to improve the bridle cable clamp attachment and eliminate the possibility of cable slippage.</p> <p>W - These parts must be ordered from Service Spares Department, Piper Aircraft, Lock Haven, Penna.</p>					

When ordering, always specify Part Number, Description, and Serial Number of Aircraft

PA-28-140  
PA-28-180  
PA-28-235  
PA-28R-180  
PA-28R-200

**PIPER PARTS CATALOG**

Figure and Index Number	Part Number	Code	NOMENCLATURE	No. Req.	SERIAL NUMBERS AFFECTED
90-8	453 425	G	BRACKET - Servo mounting (7C511-3)	1	
	453 426	H	BRACKET - Servo mounting (7C511-2)	1	
9	751 987	W	HARNESS ASSEMBLY - Amplifier (30C198)	1	
-10	551 114	W	COUPLER ASSEMBLY - Omni (25690-00)	1	
	596 512	E,W	COUPLER ASSEMBLY - Omni (25690-02)	1	
-11	757 052	W	* KNOB - (36A98)	1	
-12	757 878	B	CABLE ASSEMBLY - Roll servo (30A211-8R)	1	
-13	67493-00		SPACER - AutoControl console	2	
-14	67494-00		ANGLE - AutoControl console support, left	1	
	67494-01		ANGLE - AutoControl console support, right	1	
-15	550 778	W	INSTRUMENT - Directional gyro (32168-00) (3 inch)	1	
-16	688 164	C	SWITCH - Omni coupler (MTG-206P)	1	
-17	757 952		CABLE ASSEMBLY - Roll servo extension (30A211-156)	1	
	758 002	W	CABLE ASSEMBLY - Roll servo extension (30C211-156R)	1	
-18	79560-00	D,F	COVER - Console amplifier assembly	1	
<p>A - Used on PA-28-180 with serial numbers 28-4378 and up, PA-28-235 with serial numbers 28-11040 and up, PA-28-140 with serial numbers 28-25000 and up, PA-28R-180 and PA-28R-200 airplanes.</p> <p>B - Used with Servo Model 1C363-1-183R.</p> <p>C - Used on PA-28-140 with serial numbers 28-26401 and up, PA-28-180 with serial numbers 28-5601 and up, PA-28R-180 with serial numbers 28R-31251 and up, PA-28R-200 with serial numbers 28R-35601 and up, and PA-28-235 with serial numbers 28-11301 and up.</p> <p>D - Used on PA-28-140 with serial numbers 28-7425001 and up, PA-28-180 with serial numbers 28-7405001 and up, PA-28-235 with serial numbers 28-7410001 and up, and PA-28R-200 with serial numbers 28R-7435001 and up.</p> <p>E - Used if NSD-360 Radio Installation is installed.</p> <p>F - When ordering, specify color, 'Bark II', or black.</p> <p>G - Used on PA-28-140, PA-28-180 and PA-28-235 airplanes only.</p> <p>H - Used on PA-28R-180 and PA-28R-200 airplanes only.</p> <p>W - These parts must be ordered from Service Spares Department, Piper Aircraft, Lock Haven, Penna.</p>					

When ordering, always specify Part Number, Description, and Serial Number of Aircraft

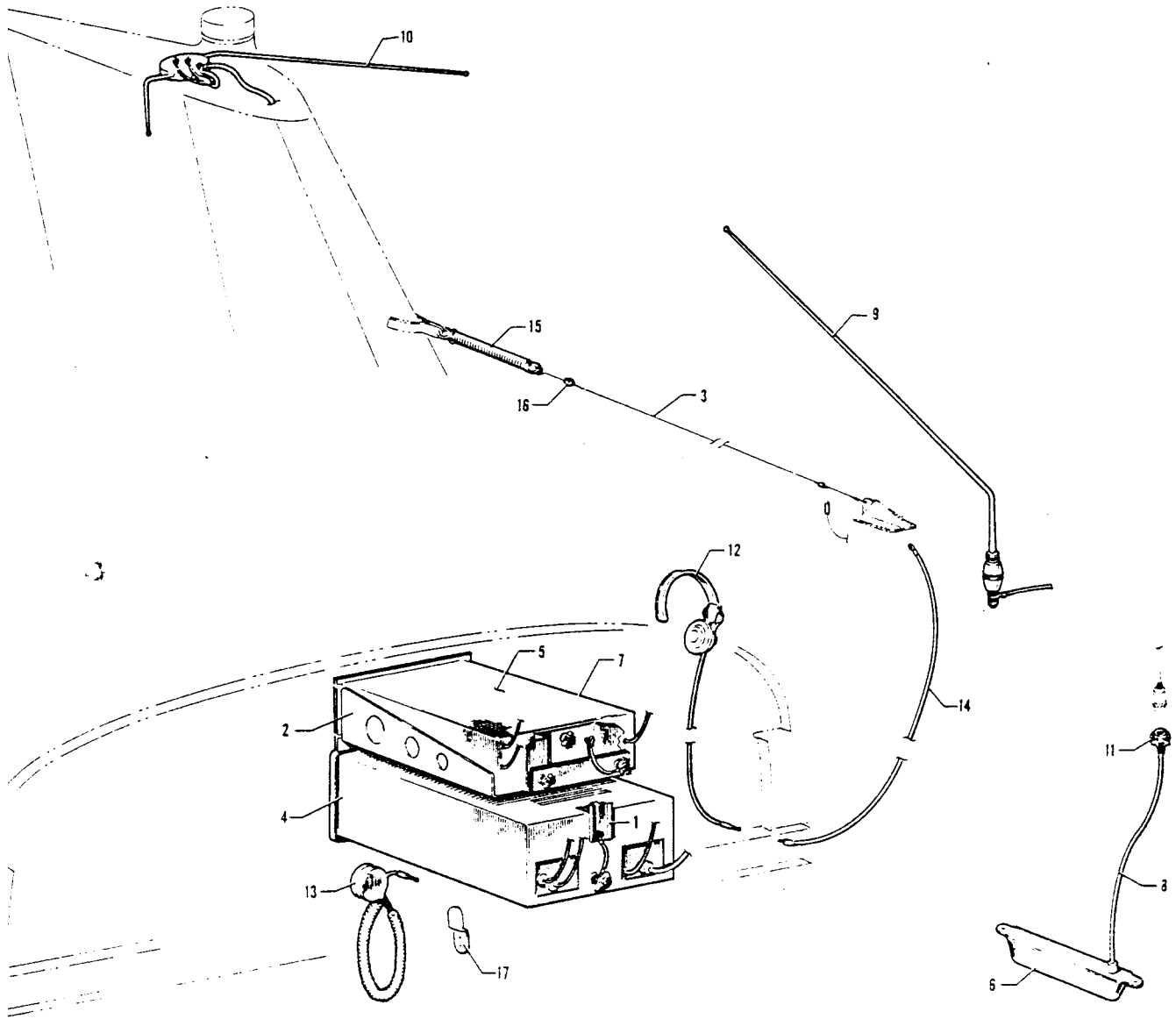


Figure 91. Piper PRC-4 AutoNav Radio Installation

### PIPER PARTS CATALOG

Figure and Index Number	Part Number	Code	NOMENCLATURE	No. Req.	SERIAL NUMBERS AFFECTED
91-	63857 63975 62235 63406 65712 63969 62201 62281 65236	C G E D  H F B	DRAWING - Standard Radio Installation DRAWING - Radio Installation, Piper PRC-3 AutoNav DRAWING - Radio Installation, Piper PRC-4 AutoNav DRAWING - Radio Installation, Piper PRC-4 AutoNav DRAWING - Radio Installation, Piper PRC-4 AutoNav DRAWING - Radio Antenna Installation DRAWING - Radio Antenna Installation DRAWING - Radio Antenna Installation DRAWING - Radio Antenna Installation		28-1 to 28-815 inclusive  28-816 to 28-1520 inclusive
-1	62624-00		CHANNEL - Radio support	1	28-1 to 28-815 inclusive
-2	62663-00		SUPPORT - Radio	1	28-1 to 28-815 inclusive
			A - Used on PA-28-140 with serial numbers 28-20002 to 28-24999 inclusive, PA-28-150, PA-28-160 and PA-28-180 with serial numbers 28-1 to 28-4377 inclusive, and PA-28-235 with serial numbers 28-10003 to 28-11039 inclusive. B - Used on PA-28-150, PA-28-160 and PA-28-180 with serial numbers 28-1761 to 28-4377 inclusive, and PA-28-235 with serial numbers 28-10003 to 28-11039 inclusive . C - Used on PA-28-150, PA-28-160 and PA-28-180 with serial numbers 28-816 to 28-1520 inclusive, and PA-28-235 with serial numbers 28-10003 to 28-10232 Inclusive . D - Used on PA-28-150, PA-28-160 and PA-28-180 with serial numbers 28-3378 to 28-4377 inclusive, and PA-28-235 with serial numbers 28-10720 to 28-11039 inclusive . E - Used on PA-28-150, PA-28-160 and PA-28-180 with serial numbers 28-1761 to 28-3377 inclusive, and 28-10487 to 28-10719 inclusive. F - Used on PA-28-150, PA-28-160 and PA-28-180 with serial numbers 28-1681 to 28-1760 inclusive, and PA-28-140 with serial numbers 23-20081 to 28-24999 inclusive G - Used on PA-28-150, PA-28-160 and PA-28-180 with serial numbers 28-1521 to 28-1760 inclusive, PA-23-235 with serial numbers 28-10233 to 28-10486 inclusive, and PA-28-140 with serial numbers 28-20002 to 28-24999 inclusive. H - Used on PA-28-150, PA-28-160 and PA-23-180 with serial numbers 23-1521 to 28-1680 inclusive, and PA-28-140 With serial numbers 28-20002 to 28-20080 inclusive .		

When ordering, always specify Part Number, Description, and Serial Number of Aircraft

PA-28-140  
PA-28-150  
PA-28-160  
PA-28-180  
PA-28-235



**PIPER PARTS CATALOG**

Figure and Index Number	Part Number	Code	NOMENCLATURE	No. Req.	SERIAL NUMBERS AFFECTED
91-3	63885-00		ANTENNA ASSEMBLY - Receiving	1	28-1 to 28-1410 inclusive
	63885-05	D	ANTENNA ASSEMBLY - Receiving	1	
	62238-00	E	ANTENNA ASSEMBLY - Receiving	1	
-4	451 270	W	RECEIVER - Omni (#VHT-3)	1	28-1 to 28-815 inclusive
-5	754 360	BW	RADIO KIT - Piper AutoNav (PRC-3)	1	
	756 791	C	RADIO-KIT - Piper AutoNav (PRC-4)	1	
-6	451 127	BW	ANTENNA - Loop (#A-3-2. 5) (PRC-3)	1	
	551 209	C	ANTENNA - Loop (#1-980004) (PRC-4)	1	
-7	451 129	BW	DIRECTION FINDER - Radio (PRC-3)	1	
	551 207	C	DIRECTION FINDER - Radio (PRC-4)	1	
-8	451 128	W	CABLE ASSEMBLY - Loop lead-in (22450)	1	
9	451 272	W	ANTENNA ASSEMBLY - transmitting (VTP-17)	1	
-10	451 273	W	ANTENNA ASSEMBLY - Omni receiving (#VRP-37)	1	
-11	580 894	W	PLUG - (#C480149)	1	
-12	464 362	W	HEADPHONE	1	
-13	474 647	W	MICROPHONE - (Telephonics #RS-38A) Black	1	
	474 649	W	MICROPHONE - (Telex #66C) Black	1	
	474 652		MICROPHONE - (Telex #60837-17) Beige	1	
<p>A - Used on PA-28-140 with serial numbers 28-20002 to 28-24999 inclusive, PA-28-150, PA-28-160 and PA-28-180 with serial numbers 28-1 to 28-4377 inclusive, and PA-28-235 with serial numbers 28-10003 to 28-11039 inclusive.</p> <p>B - Used on PA-28-150, PA-28-160 and PA-28-180 with serial numbers 28-816 to 28-1520 inclusive, and PA-28-235 with serial numbers 28-10003 to 28-10232.</p> <p>C - Used on PA-28-150, PA-28-160 and PA-28-180 with serial numbers 28-1521 to 28-4377 inclusive, and PA-28-235 with serial numbers 28-10233 to 28-11039 inclusive, and PA-28-140 with serial numbers 28-20002 to 28-24999 inclusive.</p> <p>D - Used on PA-28-140, PA-28-160 and PA-28-180 with serial numbers 28-1411 to 28-1680 inclusive, PA-28-140 with serial numbers 28-20002 to 28-20280 inclusive, and PA-28-235 with serial numbers 28-10003 to 28-10352 inclusive.</p> <p>E - Used on PA-28-150, PA-28-160 and PA-28-180 with serial numbers 28-1681 and up, PA-28-140 with serial numbers 28-20081 to 28-24999 inclusive, and PA-28-235 with serial numbers 28-10353 to 28-11039.</p> <p>W - These parts <u>must</u> be ordered from Service Spares Department, Piper Aircraft, <u>Lock Haven, Penna.</u></p>					

When ordering, always specify Part Number, Description, and Serial Number of Aircraft

PA-28-140  
PA-28-150  
PA-28-160  
PA-28-180  
PA-28-235

### PIPER PARTS CATALOG

Figure and Index Number	Part Number	Code	NOMENCLATURE	No. Req.	SERIAL NUMBERS AFFECTED
91-14	63871-00		CABLE ASSEMBLY - Transmitting,"150" "160" "180"	1	28-815 to 28-1680 inclusive
	63871-00		CABLE ASSEMBLY - Transmitting "140"	1	28-20002 to 28-20080 inclusive
	63871-00		CABLE ASSEMBLY - Transmitting "235"	1	28-10003 to 28 10352 inclusive
	62239-00	B	CABLE ASSEMBLY - Transmitting		
-15	487 388		SPRING - Antenna tension (#NAF1086-4)		
-16	467 065		INSULATOR - Porcelain (#136-32)		
-17	454 889	W	CLIP - Microphone (Used with Telephonics Mike #RS-38A)		
	453 415	W	CLIP - Microphone (Used with Telex Mike #66C)		
	453 417		CLIP - Microphone (Used with Telex e #60837-17)		
<p>A - Used on PA-28-140 with serial numbers 28-20002 to 28 -24999 inclusive, PA-28- 150, PA-28- 160 and PA-28-180 with serial numbers 28-1 to 28-4377 inclusive, and PA-28-235 with serial numbers 28-10003 to 28-11039 inclusive.</p> <p>B - Used on PA-28-150, PA-28-160 and PA-28-180 with serial numbers 28-1681 to 28-4377 inclusive, PA-28-140 with serial numbers 28-20081 to 28-24999 inclusive, and PA-28-235 with serial numbers 28-10353 to 28-11039 inclusive.</p> <p>W - These parts <u>must</u> be ordered from Service Spares Department, Piper Aircraft, <u>Lock Haven, Penna.</u></p>					

When ordering, always specify Part Number, Description, and Serial Number of Aircraft

PA-28-140  
PA-28-150  
PA-28-160  
PA-28-180  
PA-28-235

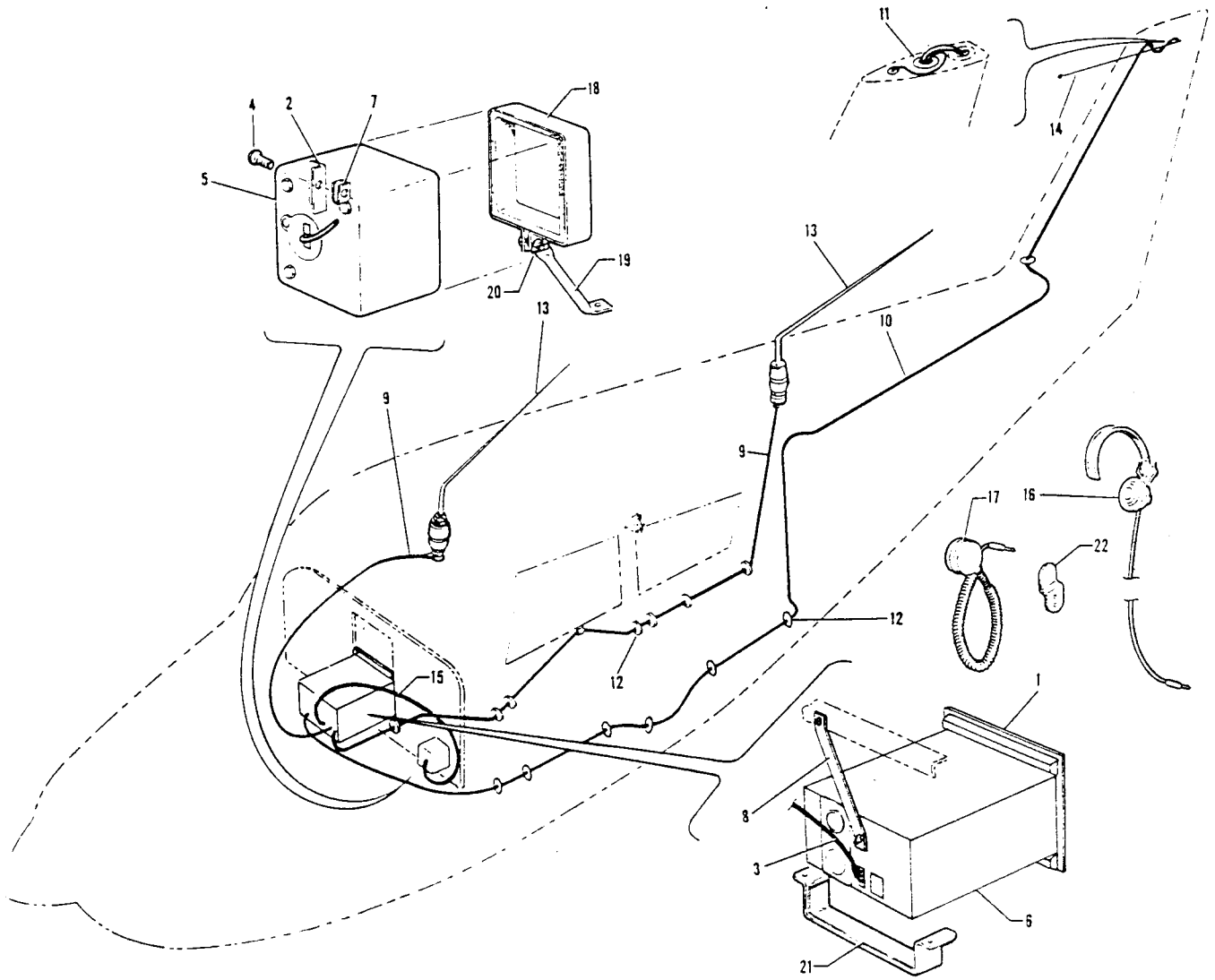


Figure 92. Piper PTR-1 Radio Installation

**PIPER PARTS CATALOG**

Figure and Index Number	Part Number	Code	NOMENCLATURE	No. Req.	SERIAL NUMBERS AFFECTED
92-	63979	DH	DRAWING - Radio Installation, Piper PTR-I		
	62248	BC	DRAWING - Radio Installation, Piper PTR-I		28-10166 to 28-10486 inclusive
	63399	K	DRAWING - Radio Installation, Piper PTR-I		
	63969	M	DRAWING - Systems Installation, Radio Antenna		28-816 to 28-1414 inclusive
	62201	F	DRAWING - Systems Installation, Radio Antenna		
	62281	G	DRAWING - Systems Installation, Radio Antenna		
	65236	BM	DRAWING - Systems Installation, Radio Antenna		28-1761 and up
	754 477	N	KIT - Radio cooling		
-1	63980-00	H	PANEL - Radio trim	1	
-2	63983-00	DH	CLIP - Omni head support	1	
-3	63984-02	ELM	CABLE ASSEMBLY - 17" L	1	
	63984-04	EJM	CABLE ASSEMBLY - 18" L	1	
	63984-03	BCL	CABLE ASSEMBLY - 36" L	1	28-10166 to 28-10486 inclusive
	63984-05	BCJ	CABLE ASSEMBLY - 36" L	1	28-10166 to 28-10486 inclusive
-4	415 449	DW	SCREW - (AN526-832-R8)	1	
-5	551 176		CONVERTER - 0-1 Omni	1	
	551 219		CONVERTER - 0L-1 Omni	1	
-6	551 174		RADIO - PTR-1, low band	1	
	551 175		RADIO - PTR-1 high band	1	
-7	405 709	D	NUT - (PS10062-3-12)	1	
-8	63985-00	H	HANGER - Radio support	1	
			A - Used on PA-28-140 with serial numbers 28 -20002 to 28-24999 inclusive, PA-28-150, PA-28-160 and PA-28-180 with serial numbers 28-816 to 28-4377 inclusive, and PA-28-235 with serial numbers 28-10003 to 28-11039 inclusive.		
			B - Used on PA-28-235 airplanes only.		
			C - Used when constant speed propeller is installed.		
			D - Used when constant speed propeller is not installed.		
			E - Used on PA-28-140 airplanes only.		
			F - Used on PA-28-150, PA-28-160 and PA-28-180 with serial numbers 28-816 to 28-1680 inclusive, and PA-28-140 with serial numbers 28-20002 to 28-20080 inclusive .		
			.G - Used on PA-28-150, PA-28-160 and PA-28-180 with serial numbers 28-1681 to 28-4377 inclusive, and PA-28-140 with serial numbers 28-20081 and up.		
			H - Used on PA-28-150, PA-28-160 and PA-28-180 with serial numbers 28-816 to 28-1760 inclusive, PA-28-235 with serial numbers 28-10003 to 28-10486 inclusive, and PA-28-140 with serial numbers 28-20002 to 28-24999 inclusive.		
			J - Used when 0L-1 Omni Converter is installed.		
			K - Used on PA-28-150, PA-28-160 and PA-28-180 with serial numbers 28-1761 to 28-4377 inclusive, and PA-28-235 with serial numbers 28-10487 to 28-11039 Inclusive .		
			L - Used when 0-1 Omni Converter is installed.		
			M - Used on PA-28-150, PA-28-160 and PA-28-180 airplanes only.		
			N- Used in PA-28 Cherokees with serial numbers 28-1 to 29-913. Reference Service Letter 394.		
			W - These parts must be ordered from Service Spares Department, Piper Aircraft, Vero Beach, Florida.		

When ordering, always specify Part Number, Description, and Serial Number of Aircraft

PA-28-140  
PA-28-150  
PA-28-160  
PA-28-180  
PA-28-235

**PIPER PARTS CATALOG**

Figure and Index Number	Part Number	Code	NOMENCLATURE	No. Req.	SERIAL NUMBERS AFFECTED
92-9	63872-00		CABLE ASSEMBLY - Transmitting	1	28-816 to 28-1414 inclusive
	65333-00		CABLE ASSEMBLY - Transmitting	1	28-1415 and up
-10	63873-00		CABLE ASSEMBLY - Receiving	1	28-816 to 28-1414 inclusive
	65192-00		CABLE ASSEMBLY - Receiving	1	28-1415 and up
-11	434 144	W	GROMMET - (AN931-16-22)	1	
-12	463 390		GROMMET - (#1659) Receiving cable	8	
	434 135	W	GROMMET - (AN931-8-13) Transmitting cable	8	
-13	451 272	W	ANTENNA - Transmitting (#VTP-17)	1	
-14	451 273	W	ANTENNA - Receiving (#VRP-37)	1	
-15	551 177		CABLE ASSEMBLY - Adapter	1	
-16	464 362	W	HEADPHONE	1	
-17	474 647	W	MICROPHONE - (Telephonics #RS-38A) Black	1	
	474 649	W	MICROPHONE - (Telex #66C) Black	1	
	474 652		MICROPHONE - (Telex #60837-17) Beige	1	
-18	62241-00	BC	BRACKET ASSEMBLY - Omni support	1	28-10166 to 28-10486 inclusive
-19	62242-00	BC	TUBE - Omni bracket support	1	28-10166 to 28 10486 inclusive
-20	486 190	BC	SCREW - Wing (#9080)	}	28-10166 to 28-10486 inclusive
	406 357	BCW	NUT - (#A190-832-1)	1	28-10166 to 28-10486 inclusive
-21	63097-00	BD	BRACKET ASSEMBLY - Radio support	1	
-22	454 889	W	CLIP - Microphone (Used with Telephonics Mike #RS-38A)	1	
	453 415	W	CLIP - Microphone (Used with Telex Mike #66C)	1	
	453 417		CLIP - Microphone (Used with Telex Mike #60837-17)	1	
			A - Used on PA-28-140 with serial numbers 28-20002 to 28-24999 inclusive, PA-28-150, PA-28-160 and PA-28-180 with serial numbers 28-816 to 28-4377 inclusive, and PA-28-235 with serial numbers 28-10003 to 28-11039 inclusive.		
			B - Used on PA-28-235 airplanes only.		
			C - Used when constant speed propeller is installed		
			D - Used on PA -28 -150, PA- 28-160 and PA-28-180 airplanes only.		
			W - These parts <u>must</u> be ordered from Service Spares Department, Piper Aircraft, <u>Lock Haven, Penna.</u>		

When ordering, always specify Part Number, Description, and Serial Number of Aircraft

PA-28-140  
PA-28-150  
PA-28-160  
PA-28-180  
PA-28-235

---

**PIPER PARTS CATALOG**

---

**3123 THRU 3124  
INTENTIONALLY LEFT BLANK**

# PIPER PARTS CATALOG

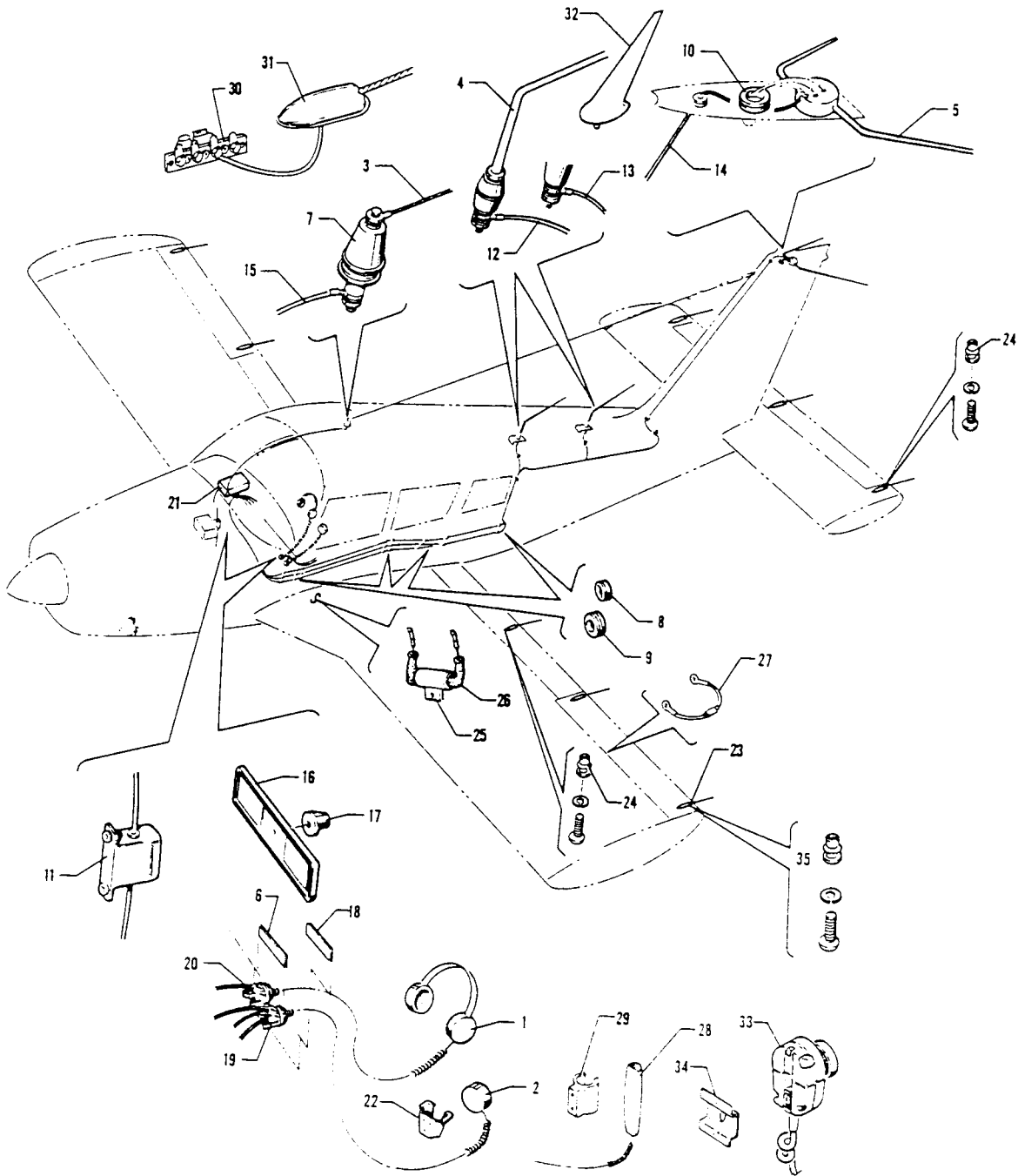


Figure 93. Radio, Antenna System and Static Wicks Installation  
 (PA-28-140 - Serial Nos. 28-25000 and up)  
 (PA-28-180 - Serial Nos. 28-4378 and up)  
 (PA-28R-180 - Serial Nos. 28R-30005 to 28R-30481 inclusive, 28R-30483 and up)  
 (PA-28-235 - Serial Nos. 28-11040 and up)  
 (PA-28R-200 - Serial Nos. 28R-30482, 28R-35001 and up)

**PIPER PARTS CATALOG**

Figure and Index Number	Part Number	Code	NOMENCLATURE	No. Req.	SERIAL NUMBERS AFFECTED
93-	67440 66738 67455 99461 79153 69667	D E B C J	DRAWING - Radio Systems Installation DRAWING - Radio Systems Installation DRAWING - Radio Antenna Systems Installation DRAWING - Radio Antenna Systems installation DRAWING - All Weather Radio Antenna System Installation DRAWING - Static Wick Installation		28-25001 and up
-1	464 362	W	HEADPHONE	1	
-2	474 652		MICROPHONE - Telex (60837-17)	1	
-3	62238-00 99841-00 62238-11 99841-04	F E G H	ANTENNA ASSEMBLY - Receiving ANTENNA ASSEMBLY - Receiving ANTENNA ASSEMBLY - Receiving ANTENNA ASSEMBLY - Receiving	1 1 1 1	28-7225185 and up 28R-7235001 to 28R-7235081 incl.
-4	451 272	W	ANTENNA ASSEMBLY - Transmitting (VTP-17)	2	
-5	451 273	W	ANTENNA ASSEMBLY - Omni-receiving (VRP-37)	1	
			A - Used on PA-28-180 with serial numbers 28-4378 and up, PA-28-235 with serial numbers 28-11040 and up, PA-28-140 with serial numbers 28-25000 and up, PA-28R-180 and PA-28R-200. B - Used on PA-28-180 with serial numbers 28-4378 to 28-5869 inclusive, PA-28R-180 with serial numbers 28R-30005 to 28R-30481, 28R-30483 to 28R-31279 inclusive, PA-28-235 with serial numbers 28-11040 to 28-11393 inclusive, PA-28-140 with serial numbers 28-25000 to 28-26956 inclusive, and PA-28R-200 with serial numbers 28R-30482, 28R-35001 to 28R-35830 incl.- C - Used on PA-28-180 with serial numbers 28-7105001 and up, PA-28R-180 with serial numbers 28R -7130001 and up, PA-28-235 with serial numbers 28-7110001 and up, PA-28-140 with serial numbers 28-7125001 and up and PA-28R-200 with serial numbers 28R-7135001 and up- D - Used on PA-28-180, PA-28R-180, PA-28-235 and PA-28R-200 airplanes only. E - Used on PA-28-140 airplanes only. F - Used on PA-28-180 with serial numbers 28-4378 to 28-7205179 inclusive, PA-28-235 with serial numbers 28-11040 to 28-7210011 inclusive, PA-28-140 with serial numbers 28-25000 to 28-7225184 inclusive, PA-28R-180 with serial numbers 28R-30005 to 28R-7130019 inclusive, and PA-28R-200 with serial numbers 28R-30482, 28R-35001 to 28R-713238 inclusive. G - Used on PA-28R-200 airplanes only. H - Used on PA-28-180 with serial numbers 28-7205180 and up, PA-28-235 with serial numbers 28-7210012 and up and PA-28R-200 with serial numbers 28R-7235082 and up. J - Used on PA-28-140 with serial numbers 28-7325397 and up, PA-28-180 with serial numbers 28-7305382 and up, PA-28-235 with serial numbers 28-7310139 and up and PA-28R-200 with serial numbers 28R-7335232 and up. W - These parts must be ordered from Service Spares Department, Piper Aircraft, Lock Haven, Penna.		

When ordering, always specify Part Number, Description, and Serial Number of Aircraft



### PIPER PARTS CATALOG

Figure and Index Number	Part Number	Code	NOMENCLATURE	No. Req.	SERIAL NUMBERS AFFECTED
93-6	66837-00		PLACARD - Mike jack (with console mike jack)	1	
-7	467 064	W	INSULATOR - Antenna (135-40)	1	
-8	453 838		BUSHING - Snap (PS10064-500-6)	8	
-9	453 836	W	BUSHING - Snap (PS10064-437-5)	8	
-10	434 144	W	GROMMET - (MS35489-23)	1	
-11	596 059	G	COUPLER - (Two set (VRP-40))	1	
	555 501	D	COUPLER - (AVB-10)	1	
-12	65333-00	G	CABLE ASSEMBLY - Transmitting	1	
	99610-00	D	CABLE ASSEMBLY - Transmitting	1	
-13	65333-04	G	CABLE ASSEMBLY - Transmitting	1	
	99610-02	D	CABLE ASSEMBLY - Transmitting	1	
-14	65192-00	G	CABLE ASSEMBLY - Receiving	1	
	65192-09	D	CABLE ASSEMBLY - Receiving	1	
-15	62239-00		CABLE ASSEMBLY - Receiving (with 10" shield)	1	
	596 118		CABLE ASSEMBLY - Receiving (90677-67) (completely shielded)	1	
-16	67333-02	G	COVER ASSEMBLY—Radio junction box	1	
	67333-03	G	COVER ASSEMBLY - Transmitter selector	1	
-17	571 103	G	KNOB - Selector switch (S-657-3L-BB)	1	
-18	67471-00		PLACARD - Mike and phone	1	
	66838-00		PLACARD - Headphone	1	
-19	468 002	W	JACK - Mike (S12B)	2	
-20	468 006	W	JACK - Phone (11)	1	
-21	68941-00	B,F,G	BOX ASSEMBLY - Radio junction	1	
	68876-00	C,F,G	SELECTOR ASSEMBLY - Transmitter	1	
	99395-00	D,F,H	AUDIO SELECTOR ASSEMBLY	1	
	99395-02	D,F,J	AUDIO SELECTOR ASSEMBLY	1	
	99395-03	D,E,F	AUDIO SELECTOR ASSEMBLY	1	
<p>A - Used on PA-28-180 with serial numbers 28-4378 and up, PA-28-235 with serial numbers 28-11040 and up, PA-28-140 with serial numbers 28-25000 and up, PA-28R-180 and PA-28R-200.</p> <p>B - Used if single radio is installed.</p> <p>C - Used if dual radios are installed.</p> <p>D - Used on PA-28-180 with serial numbers 28-7105001 and up, PA-28R-180 with serial numbers 28R-7130001 and up, PA-28-235 with serial numbers 28-7110001 and up, PA-28-140 with serial numbers 28-7125001 and up and PA-28R-200 with serial numbers 28R-7135001 and up.</p> <p>E - With microphone switch, dual VHF switches, ADF switch and marker beacon switches.</p> <p>F - See Figure 95 for component parts.</p> <p>G - Used on PA-28-180 with serial numbers 28-4378 to 28-5869 inclusive, PA-28R-180 with serial numbers 28R-30005 to 28R-30481, 28R-30483 to 28R-31279 inclusive, PA-28-235 with serial numbers 28-11040 to 28-11393 inclusive, PA-28-140 with serial numbers 28-25000 to 28-26956 inclusive, and PA-28R-200 with serial numbers 28R-30482, 28R-35001 to 28R-35830 inclusive.</p> <p>H - With single VHF switch, ADF switch and marker beacon switches.</p> <p>J - With microphone switch, dual VHF switches and ADF switch .</p> <p>W - These parts must be ordered from Service Spares Department, Piper Aircraft, Lock Haven. Penna.</p>					

When ordering, always specify Part Number, Description, and Serial Number of Aircraft

PA-28-140  
PA-28-180  
PA-28-235  
PA-28R-180  
PA-28R-200

**PIPER PARTS CATALOG**

Figure and Index Number	Part Number	Code	NOMENCLATURE	No. Req.	SERIAL NUMBERS AFFECTED
93-22	453 417	B	CLIP - Microphone	1	
	99680-08	C,F	SUPPORT - Microphone, black	1	
-23	494 678	W	WICK - Static (SW10-96)	9	
-24	415 520	W	SCREW - (MS35206-230)	10	
	407 441		WASHER - (MS35338-41)	10	
	406 848	W	RIVNUT - (A6K75)	10	
-25	554 224		CAPACITOR - Filter (fuel pump noise (PS10027-2-4)	1	
-26	23969-02	W	NIPPLE - Capacitor	2	
-27	469 600		JUMPER ASSEMBLY - Lightning protection (MS25083-3AA6)	7	
-28	474 642		MICROPHONE - Telex (62800-001)	1	
-29	565 523		HOLDER - Microphone - Telex (64022-000)	1	
-30	79152-00	D	STRIP ASSEMBLY - All weather antenna terminal	1	
	79152-02	D,E	STRIP ASSEMBLY - All weather antenna terminal	1	
-31	79160-00	D	ANTENNA ASSEMBLY - All weather receiving	1	
-32	596 332	D	ANTENNA - Broadband, VHF COMM, (PS50040-18-1) (Communication Components)	2	
	596 664	D	ANTENNA - Broadband, VHF Comm, (PS50040-18-2) (Dorne & Margloin)	2	
-33	474 655	W	MICROPHONE - Narco (M700A)	1	
-34	554 686		CLIP - Microphone holder (90Z1136)	1	
-35	415 521	W	SCREW - (MS35206-231)	8	
	407 441		WASHER - (MS35338-41)	8	
	406 848	W	RIVNUT - (A6K75)	8	
<p>A - Used on PA-28-180 with serial numbers 28-4378 and up, PA-28-235 with serial numbers 28-11040 and up, PA-28-140 with serial numbers 28-25000 and up, PA-28R-180 and PA-28R-200.</p> <p>B - Used on PA-28-180 with serial numbers 28-4378 to 28-7105244 inclusive, PA-28-235 with serial numbers 28-11040 to 28-7110042 inclusive, PA-28-140 with serial numbers 28-25000 to 28-7125651 inclusive, PA-28R-180 and PA-28R-200 airplanes.</p> <p>C - Used on PA-28-180 with serial numbers 28-7205001 and up, PA-28-235 with serial numbers 28-7120001 and up, and PA-28-140 with serial numbers 28-7225001 and up.</p> <p>D - Used on PA-28-140 with serial numbers 28-7325397 and up, PA-28-180 with serial numbers 28-7305382 and up, PA-28-235 with serial numbers 28-7310139 and up, and PA-28R-200 with serial numbers 28R-7335232 and up.</p> <p>E - Used if Bendix ADF-T-12C or ADF-T-12D receiver is installed.</p> <p>F - When ordering, specify color black or "bark II".</p> <p>W - These parts must be ordered from Service Spares Department, Piper Aircraft, Lock Haven, Penna.</p>					

When ordering, always specify Part Number, Description, and Serial Number of Aircraft

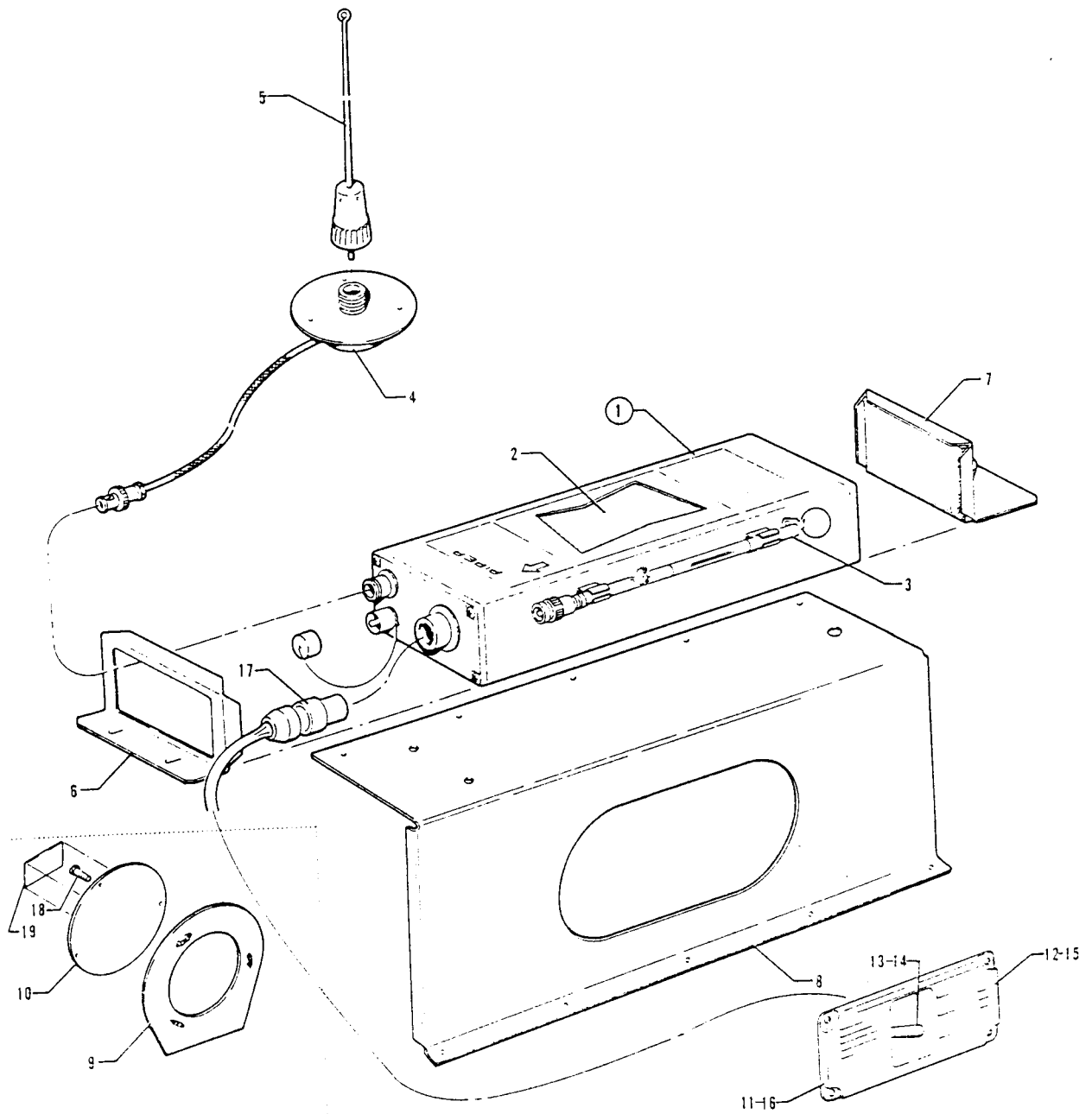


Figure 93A. Piper Automatic Locator (ELT) Installation (Garrett MFG. LTD.)

### PIPER PARTS CATALOG

Figure and Index Number	Part Number	Code	NOMENCLATURE	No. Req.	SERIAL NUMBERS AFFECTED
93A-	99890		DRAWING - Piper Automatic Locator (ELT) installation		
-1	756 398	E,W	TRANSMITTER ASSEMBLY - Automatic locator (627484-1) (includes magnesium battery pack)	1	
	761 939	E,W	TRANSMITTER ASSEMBLY - Automatic locator (627674-1) (includes magnesium battery pack)	1	
	761 967	E,W	TRANSMITTER ASSEMBLY - Automatic locator (627810-1) (includes lithium battery pack)	1	
-2	758 281	B,C W	* BATTERY PACK - Transmitter assembly (magnesium)	1	
	758 364	A,E,W	* BATTERY PACK - Transmitter assembly (lithium)	1	
-3	751 316	W	* ANTENNA ASSEMBLY - Telescopic	1	
-4	751 318	W	CABLE AND BASE ASSEMBLY - Whip antenna	1	
-5	751 319	W	ANTENNA ASSEMBLY - Whip (less cable and base)	1	
-6	758 266	W	BRACKET - Forward transmitter mounting	1	
-7	758 267	W	BRACKET ASSEMBLY - Aft transmitter mounting (includes lock knob)	1	
-8	99887-02	W	BRACKET ASSEMBLY - Emergency locator transmitter	1	
-9	99888-00	W	RING ASSEMBLY - Emergency locator transmitter	1	
-10	99889-00	W	COVER ASSEMBLY - Emergency locator transmitter	1	
-11	79033-00	C,D	SWITCH AND COVER ASSEMBLY - ELT	1	
-12	69669 -15	C	* PLACARD - Warning (exposed switch)	1	
	69669-66	C	* PLACARD - Warning (recessed switch)	1	
-13	587 952	C	* SWITCH - (SF1LBX183-7)	1	
-14	588 011	A	SWITCH - (8E1011)	1	
-15	69669-107	A	PLACARD - Warning	1	
-16	79463-00	A,D	COVER - ELT Switch	1	
-17	555 731	C,W	CONNECTOR - (612129-3)	1	
-18	486 281		SCREW - (PS10015-B8-12NA)	3	
-19	35669-105		PLACARD - E.L.T location	1	
<p>A - Used with Transmitter Assembly P/N 761 967 (Model 627810-1).</p> <p>B - Used with Transmitter Assembly P/N 756 398 (Model 627484-1).</p> <p>C - Used with Transmitter Assembly P/N 761 939 (Model 627674-1).</p> <p>D - When ordering, specify color red, blue/green, tan, black or avocado.</p> <p>E - No longer available. Order ELT Replacement Kit 763 842V (Garrett ELT to Narco ELT10) as a replacement. Refer to Service Letter 820.</p> <p>W - These parts must be ordered from Service Spares Department, Piper Aircraft, Lock Haven Penna</p>					

When ordering, always specify Part Number, Description, and Serial Number of Aircraft

**PIPER PARTS CATALOG**

Figure and Index Number	Part Number	Code	NOMENCLATURE	No. Req.	SERIAL NUMBERS AFFECTED
			<b>3J7 INTENTIONALLY LEFT BLANK</b>		

When ordering, always specify Part Number, Description, and Serial Number of Aircraft

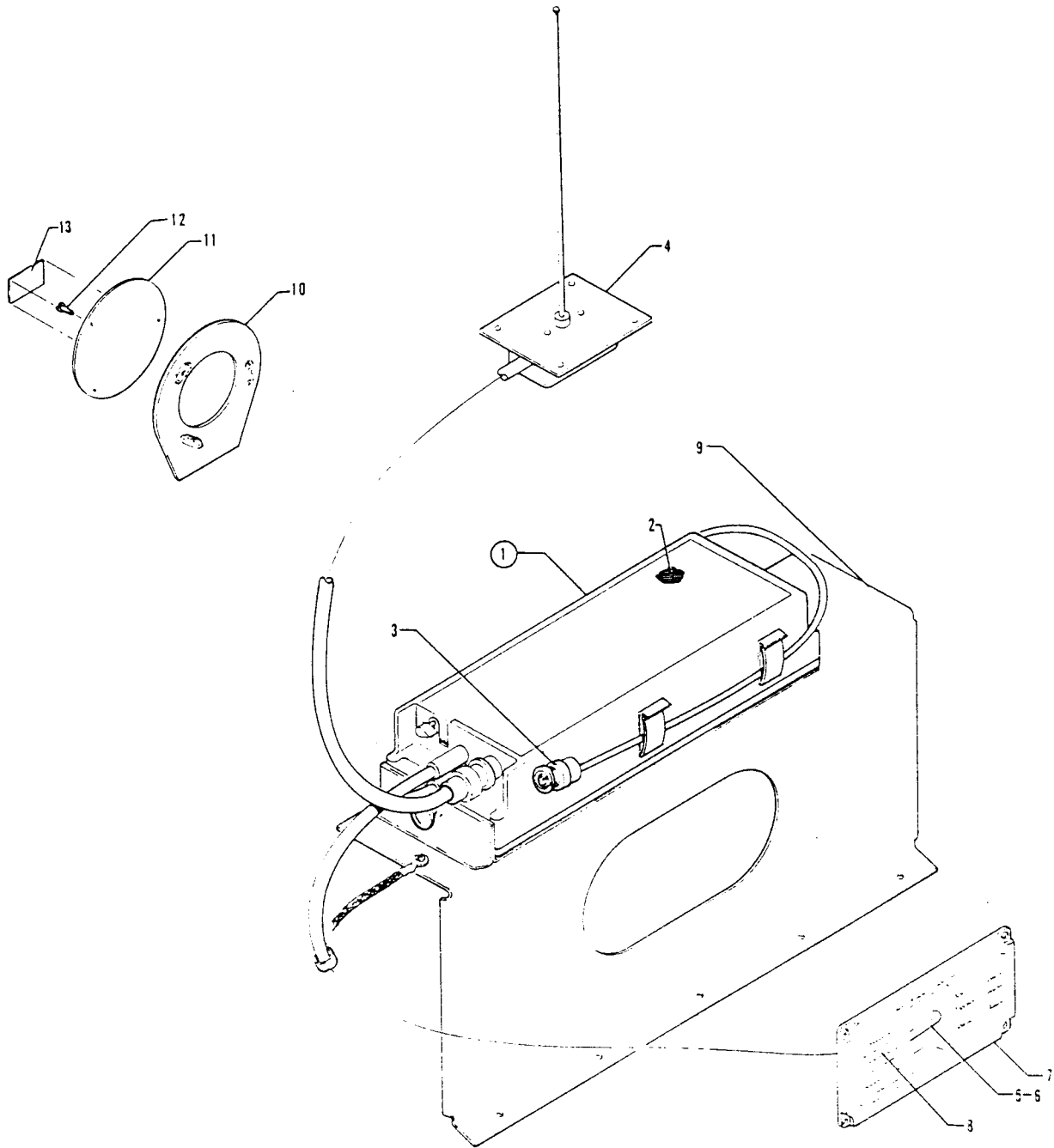


Figure 93B. Piper Automatic Locator (ELT) Installation  
(Communications Components Corp.)

**PIPER PARTS CATALOG**

Figure and Index Number	Part Number	Code	NOMENCLATURE	No. Req.	SERIAL NUMBERS AFFECTED
93B-	79761		DRAWING - Piper Automatic Locator (ELT) Installation		
-1	762 030		TRANSMITTER ASSEMBLY - Automatic locator (CIR-11-2) (includes alkaline battery pack)	1	
-2	758 528		* BATTERY PACK - Transmitter assembly (alkaline)	1	
-3	758 092		* ANTENNA ASSEMBLY - Portable (10-249)	1	
-4	763 004		ANTENNA ASSEMBLY - Whip (10-234)	1	
-5	79762-02		SWITCH AND HARNESS ASSEMBLY - ELT	1	
-6	588 030		* SWITCH - (8A2051)	1	
-7	79463-02	A	COVER - ELT Switch	1	
-8	69669-66		PLACARD - Warning	1	
-9	99887-04		BRACKET ASSEMBLY - Emergency locator transmitter	1	
-10	99888-00		RING ASSEMBLY - Emergency locator transmitter	1	
-11	99889-00		COVER ASSEMBLY - Emergency locator transmitter	1	
-12	486 281		SCREW - (PS10015-B8-12NA)	3	
-13	35669-105		PLACARD - E.L.T. location	1	
			A - When ordering, specify color red, blue/green, gold, black, green or bark. Specify color "bark 11" for PA-28-140 with serial numbers 28-7725001 to 28-7725174 inclusive, PA-28-235 with serial numbers 28-7710001 to 28-77100010 inclusive, and PA-28R-200 with serial numbers 28R-7635504 and up. Specify color "bark 11" or black for PA-28-140 with serial numbers 28-7725175 and up, PA-28-235 with serial numbers 28-7710011 and up.		

When ordering, always specify Part Number, Description, and Serial Number of Aircraft

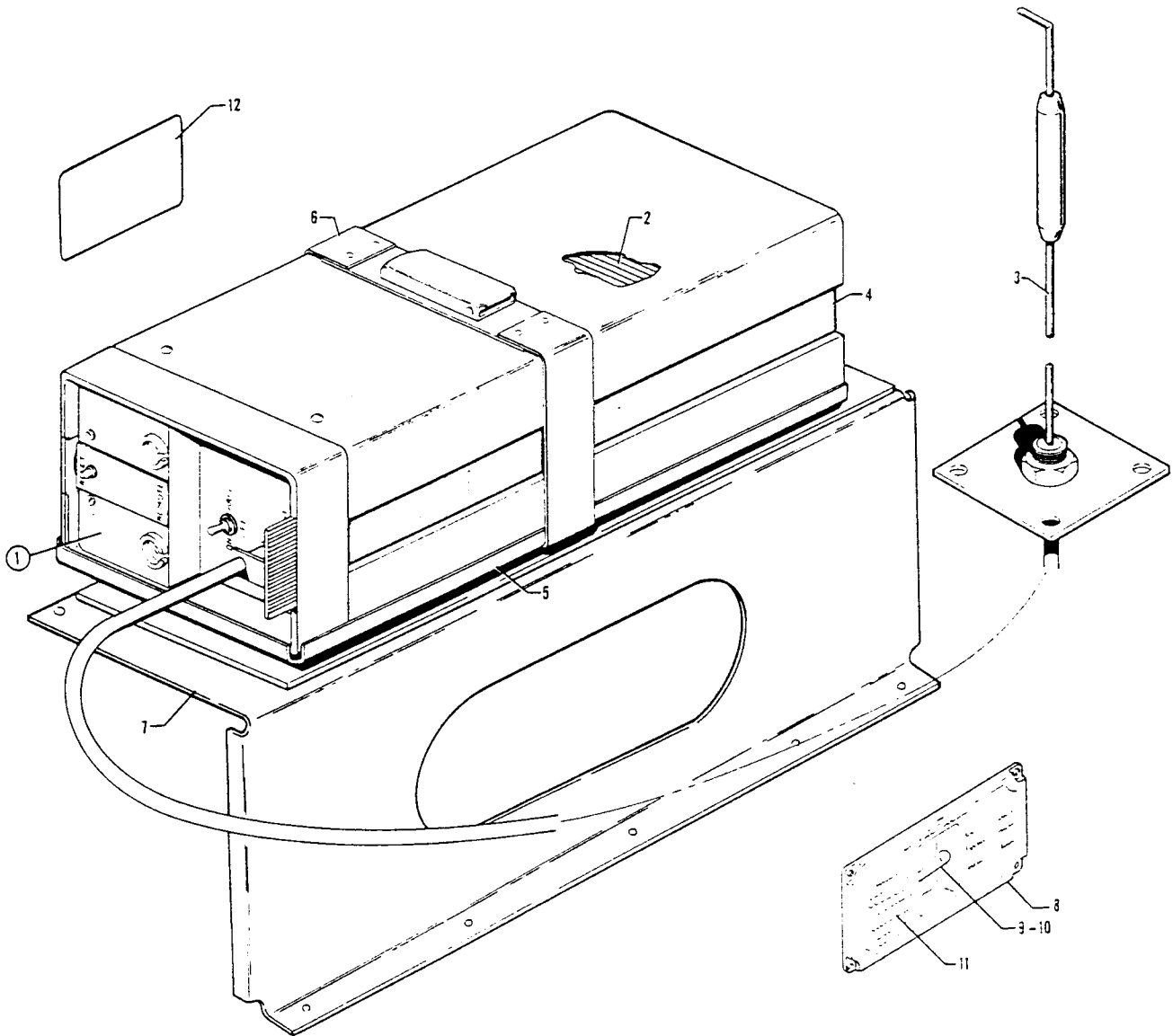


Figure 93C. Piper Automatic Locator (ELT) Installation  
(Narco Avionics)



**PIPER PARTS CATALOG**

Figure and Index Number	Part Number	Code	NOMENCLATURE	No. Req.	SERIAL NUMBERS AFFECTED
93C-	36632		DRAWING - Piper Automatic Locator (ELT) Installation		
-1	597 461		TRANSMITTER ASSEMBLY - Automatic locator (ELT 10) (includes alkaline battery pack)	1	
-2	758 452	W	* BATTERY PACK - Transmitter assembly (57674-0001)	1	
-3	597 257	W	* ANTENNA ASSEMBLY - ELT (01652-0101)	1	
-4	763 019	W	* ANTENNA - Blade, portable (57667-0001)	1	
-5	758 453	W	* BASE - Transmitter assembly (57666-0001)	1	
-6	762 357	W	* STRAP - Transmitter assembly (57682-0101)	1	
-7	99887-06		BRACKET ASSEMBLY - Emergency locator transmitter	1	
-8	79463-00		COVER - ELT switch, black	1	
-9	79599-00		SWITCH AND HARNESS ASSEMBLY - ELT	1	
-10	588 011		* SWITCH - (8E1011)	1	
-11	35669-132		PLACARD - Warning	1	
-12	35669-105		PLACARD - ELT location	1	
			W - These parts must be ordered from Service Spares Department, Piper Aircraft, Lock Haven, Penna.		

When ordering, always specify Part Number, Description, and Serial Number of Aircraft

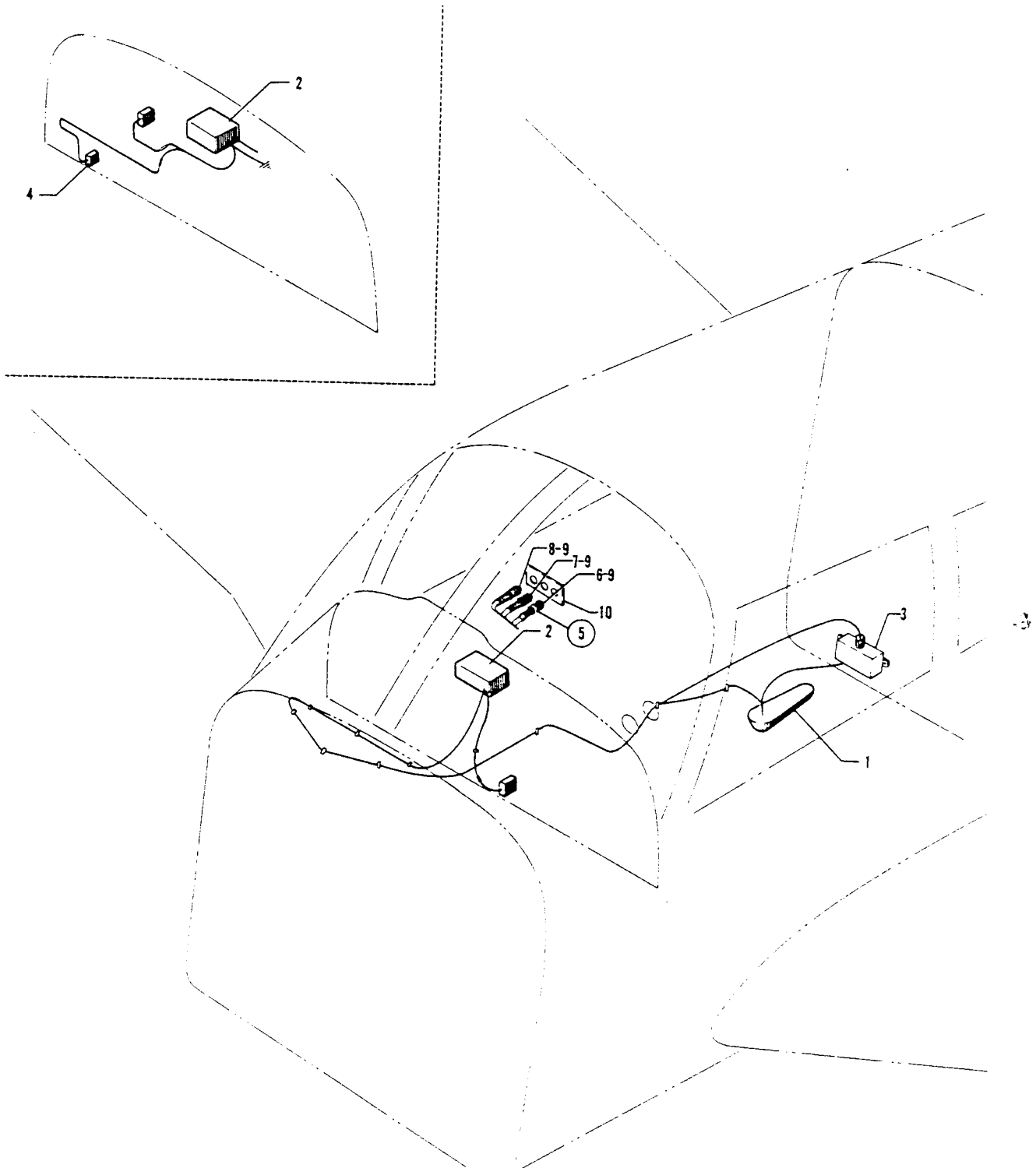


Figure 94. Piper PM-1 Marker Beacon Installation  
(PA-28-140 - Serial Nos. 28-25000 to 28-7425454 inclusive)  
(PA-28-150-160-180 - Serial Nos. 28-1761 to 28-7405290 inclusive)  
(PA-28-235 - Serial Nos. 28-10487 to 28-7410120 inclusive)  
(PA-28R-180 - Serial Nos. 28R-30005 to 28R-30481 inclusive, 28R-30483 to 28R-7130019 inclusive)  
(PA-28R-200 - Serial Nos. 28R-30482, 28R-35001 to 28R-7435331 inclusive)

**PIPER PARTS CATALOG**

Figure and Index Number	Part Number	Code	NOMENCLATURE	No. Req.	SERIAL NUMBERS AFFECTED
94 -	63491 65709 67454	F B C	DRAWING - Piper PM-1 Marker Beacon Installation DRAWING - Piper PM-1 Marker Beacon Installation DRAWING - Piper PM-1 Marker Beacon Installation		
-1	551 216	W	RECEIVER - Marker beacon (1-950005)	1	
-2	551 232	D,E	CONTROL HEAD - Marker beacon (1-950013)	1	
			<p>A - Used on PA-28-150, PA-28-160 and PA-28-180 with serial numbers 28-1761 to 28-7405290 inclusive, PA-28-140 with serial numbers 28-25000 to 28-7425454 inclusive, PA-28-235 with serial numbers 28-10487 to 28-7410120 inclusive, PA-28R-180 with serial numbers 28R-30005 to 28R-30481 inclusive, 28R-30483 to 28R-7130019 inclusive, and PA-28R-200 with serial numbers 28R-30482, 28R-35001 to 28R-7435331 inclusive.</p> <p>B - Used on PA-28-150, PA-28-160 and PA-28-180 with serial numbers 28-3378 to 28-4377 inclusive, and PA-28-235 with serial numbers 28-10720 to 28-11039 inclusive .</p> <p>C - Used on PA-28-140 with serial numbers 28-25000 to 28-7425454 inclusive, PA-28-180 with serial numbers 28-4378 to 28-7405290 inclusive, PA-28-235 with serial numbers 28-11040 to 28-7410120 inclusive, PA-28R-180 with serial numbers 28R-30005 to 28R-30481 inclusive, 28R-30483 to 28R-7130019 inclusive, and PA-28R-200 with serial numbers 28R-30482, 28R-35001 to 28R-7435331 inclusive.</p> <p>D - Used if trim panel indicator lights are installed.</p> <p>E - Used on PA-28-140 with serial numbers 28-25000 to 28-26956 inclusive, PA-28-150, PA-28-160 and PA-28-180 with serial numbers 28-1761 to 28-5869 inclusive, PA-28-235 with serial numbers 28-10487 to 28-11393 inclusive, PA-28R-180 with serial numbers 28R-30005 to 28R-30481 inclusive, 28R-30483 to 28R-31279 inclusive, and PA-28R-200 with serial numbers 28R-30482, 28R-35001 to 28R-35830 inclusive.</p> <p>F - Used on PA- 150, PA-28-160 and PA- 180 with serial numbers 28-1761 to 28-3377 inclusive, and PA-28-235 with serial numbers 28-10487 to 28-10719 incl.</p> <p>W - These parts must be ordered from Service Spare Department, Piper Aircraft, Lock Haven, Penna.</p>		

When ordering, always specify Part Number, Description, and Serial Number of Aircraft

### PIPER PARTS CATALOG

Figure and Index Number	Part Number	Code	NOMENCLATURE	No. Req.	SERIAL NUMBERS AFFECTED
94-3	596 138	C,D	CONTROL PANEL - Marker beacon (1-950018)	1	
	596 181	E	CONTROL PANEL - Marker beacon (1-950019)	1	
4	464 700	G	CIRCUIT BREAKER - Black button (PS50120-1-1) 5 amp	1	
	454 706	F	CIRCUIT BREAKER - White button (PS50120-1-2) 5 amp	1	
-5	99398-00	B	LIGHT ASSEMBLY - Marker beacon (complete)	1	
-6	472 823	B	LIGHT ASSEMBLY - Blue (134-3830-0334-201)	1	
-7	472 822	B	LIGHT ASSEMBLY - Amber (1343830-0333-201)	1	
-8	472 824	B	LIGHT ASSEMBLY - Clear (134-3830-0337-201)	1	
-9	453 695	B,W	BULB - 328	3	
-10	99401-00	B	PANEL ASSEMBLY - Marker beacon lights	1	
<p>A - Used on PA-28-150, PA-28-160 and PA-28-180 with serial numbers 28-1761 to 28-7405290 inclusive, PA-28-140 with serial numbers 28-25000 to 28-7425454 inclusive, PA-28-235 with serial numbers 28-10487 to 28-7410120 inclusive, PA-28R-180 with serial numbers 28R-30005 to 28R-30481 inclusive, 28R-30483 to 28R-7130019 inclusive, and PA-28R-200 with serial numbers 28R-30482, 28R-35001 to 28R-7435331 inclusive.</p> <p>B - Used on PA-28-140 with serial numbers 28-7125001 to 28-7425454 inclusive, PA-28-180 with serial numbers 28-7105001 to 28-7405290 inclusive, PA-28-235 with serial numbers 28-7110001 to 28-7410120 inclusive, PA-28R-180 with serial numbers 28R-7130001 to 28R-7130019 inclusive, and PA-28R-200 with serial numbers 28R-7135001 to 28R-7435331 inclusive.</p> <p>C - Used if VOA-40M or VOA-50M Omni Converter, which incorporates indicator lights, is installed</p> <p>D - Used on PA-28-140 with serial numbers 28-26401 to 28-26956 inclusive, PA-28-180 with serial numbers 28-5601 to 28-5869 inclusive, PA-28-235 with serial numbers 28-11301 to 28-11393 inclusive, PA-28R-180 with serial numbers 28R-31251 to 28R-31279 inclusive, and PA-28R-200 with serial numbers 28R-35601 to 28R-35830 inclusive.</p> <p>E - Used on PA-28-140 with serial numbers 28-7125001 to 28-7425454 inclusive, PA-28-180 with serial numbers 28-7105001 to 28-7405290 inclusive, PA-28-235 with serial numbers 28-7110001 to 28-7410120 inclusive, PA-28R-180 with serial numbers 28R-7130001 to 28R-7130019 inclusive, and PA-28R-200 with serial numbers 28R-7135001 to 28R-7435331 inclusive.</p> <p>F - Used on PA-28-140 with serial numbers 28-25000 to 28-7425454 inclusive, PA-28-180 with serial numbers 28-5228 to 28-7405290 inclusive, PA-28-235 with serial numbers 28-11301 to 28-7410120 inclusive, PA-28R-180 with serial numbers 28R-31121 to 28R-7130019 inclusive, and PA-28R-200 with serial numbers 28R-30482, 28R-35001 to 28R-7435331 inclusive.</p> <p>G - Used on PA-28-180 with Serial numbers 28-4378 to 28-5227 inclusive, PA-28- 235 with serial numbers 28-11040 to 28-11300 inclusive, and PA-28R-180 with serial numbers 28R-30005 to 28R-30481 inclusive, 28R 30483 to 28R-31120 inclusive.</p> <p>W - These parts must be ordered from Service Spares Department, Piper Aircraft, Lock Haven, Penna,</p>					

When ordering, always specify Part Number, Description, and Serial Number of Aircraft

**PIPER PARTS CATALOG**

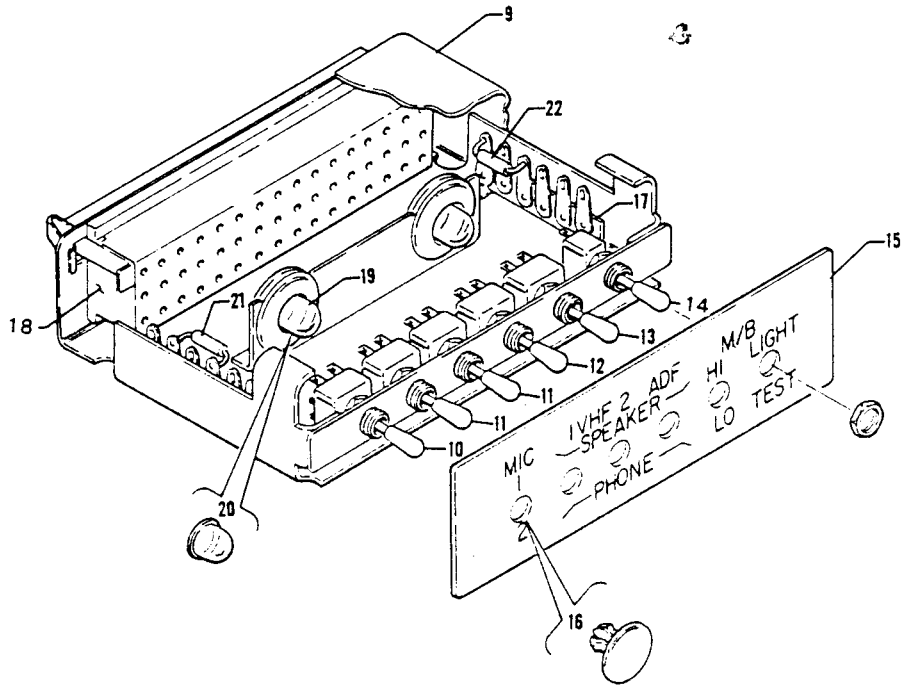
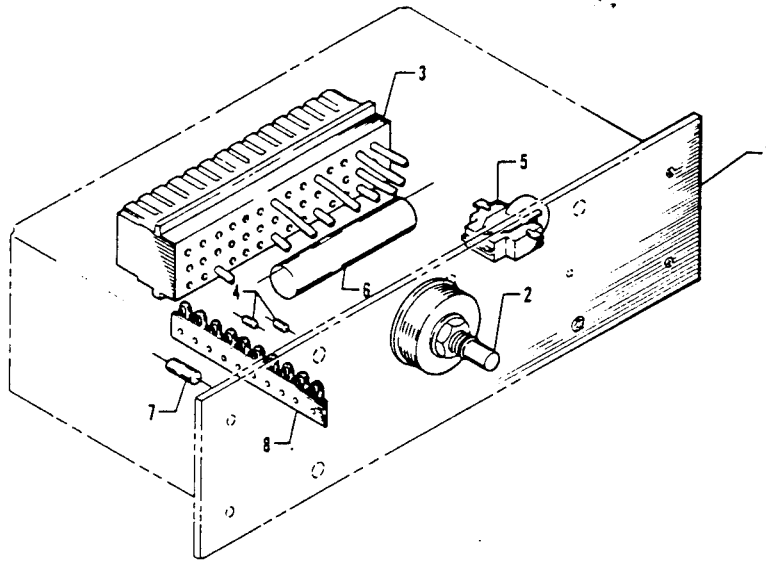


Figure 95. Radio Junction Boxes  
 (PA-28-140 - Serial Nos. 28-25000 and up)  
 (PA-28-180 - Serial Nos. 28-4378 and up)  
 (PA-28R-180 - Serial Nos. 28R-30005 to 28R-30481 inclusive, 28R-30483 and up)  
 (PA-28-235 - Serial Nos. 28-11040 and up)  
 (PA-28R-200 - Serial Nos. 28R-30482, 28R-35001 and up)

PA-28-140  
 PA-28-180  
 PA-28-235  
 PA-28R-180  
 PA-28R-200

### PIPER PARTS CATALOG

Figure and Index Number	Part Number	Code	NOMENCLATURE	No. Req.	SERIAL NUMBERS AFFECTED
95-1	68941-00	B,D	BOX ASSEMBLY - Radio junction (complete)	1	
	68876-00	C,D	SELECTOR ASSEMBLY -Transmitter	1	
-2	68926-00	C,D	SWITCH - Transmitter selector	1	
-3	484 303	D	RECEPTACLE - (R-42)	1	
4	456 703	B,D	DIODE - (1N2071)	1	
	456 703	C,D	DIODE - (1N2071)	2	
-5	484 375	D	RELAY - (11F-2300G-SIL)	1	
-6	484 416	D	RESISTOR - (FZ4-7)	1	
-7	484 436	D	RESISTOR - (470 ohm, 1/4 watt)	1	
-8	488 485	D	STRIP-Terminal (1070)	1	
-9	99395-00	E,H	AUDIO SELECTOR ASSEMBLY	1	
	99395-02	F,H	AUDIO SELECTOR ASSEMBLY	1	
	99395-03	G,H	AUDIO SELECTOR ASSEMBLY	1	
-10	587 807	H	SWITCH - Microphone (JMT-223)	1	
-11	587 808	H	SWITCH - VHF (JMT-221)	2	
-12	587 808	H	SWITCH - ADF (JMT-221)	1	
-13	587 808	H	SWITCH -Marker beacon, Hi/Lo (JMT 221)	1	
-14	587 809	H	SWITCH - Marker beacon, Light Test (JMT-126)	1	
-15	99344-00	H	PLATE - Selector face	1	
-16	453 855	H,W	BUTTON - Plug (207-170201-00)	2	
-17	588 356	H	STRIP- Terminal (1076)	2	
-18	484 234	H	RECEPTACLE - (1055R48)	1	
-19	472 056	H	BULB - (GE 53)	2	
-20	460 602	H	FILTER - Lunar white (1813-26)	2	
-21	456 703	H	DIODE - (1N2071)	3	
-22	484 461	H	RESISTOR - (242E3R05)	1	
			A - Used on PA-28-180 with serial numbers 28-4378 and up, PA-28-235 with serial numbers 28-11040 and up, PA-28-140 with serial numbers 28-25000 and up, PA-28R-180 and PA-28R-200.		
			8 - Used if single radio is installed.		
			C - Used if dual radios are installed.		
			D - Used on PA-28-180 with serial numbers 28-4378 to 28-5869 inclusive, PA-28R-180 with serial numbers 28R-30005 to 28R-30481 inclusive, 28R-30483 to 28R-31279 inclusive, PA-28-235 with serial numbers 28-11040 to 28-11393 inclusive, PA-28-140 with serial numbers 28-25000 to 28-26956 inclusive, and PA-28R-200 with serial numbers 28R-30482,28R-35001 to 28R-35830 inclusive .		
			E With single VHF switch, ADF switch and marker beacon switches.		
			F - With microphone switch, dual VHF switches and ADF switches.		
			G - With microphone switch, dual VHF switches, ADF switch and marker beacon switches.		
			H - Used on PA-28-180 with serial numbers 28-7105001 and up, PA-28R-180 with serial numbers 28R-7130001 and up, PA-28-235 with serial numbers 28-7110001 and up, PA-28-140 with serial numbers 28-7125001 and up and PA-28R-200 with serial numbers 28R-7135001 and up.		
			W These parts must be ordered from Service Spares Department, Piper Aircraft, Lock Haven, Penna.		

When ordering, always specify Part Number, Description, and Serial Number of Aircraft

PA-28-140  
PA-28-180  
PA-28-235  
PA-28R-180  
PA-28R-200

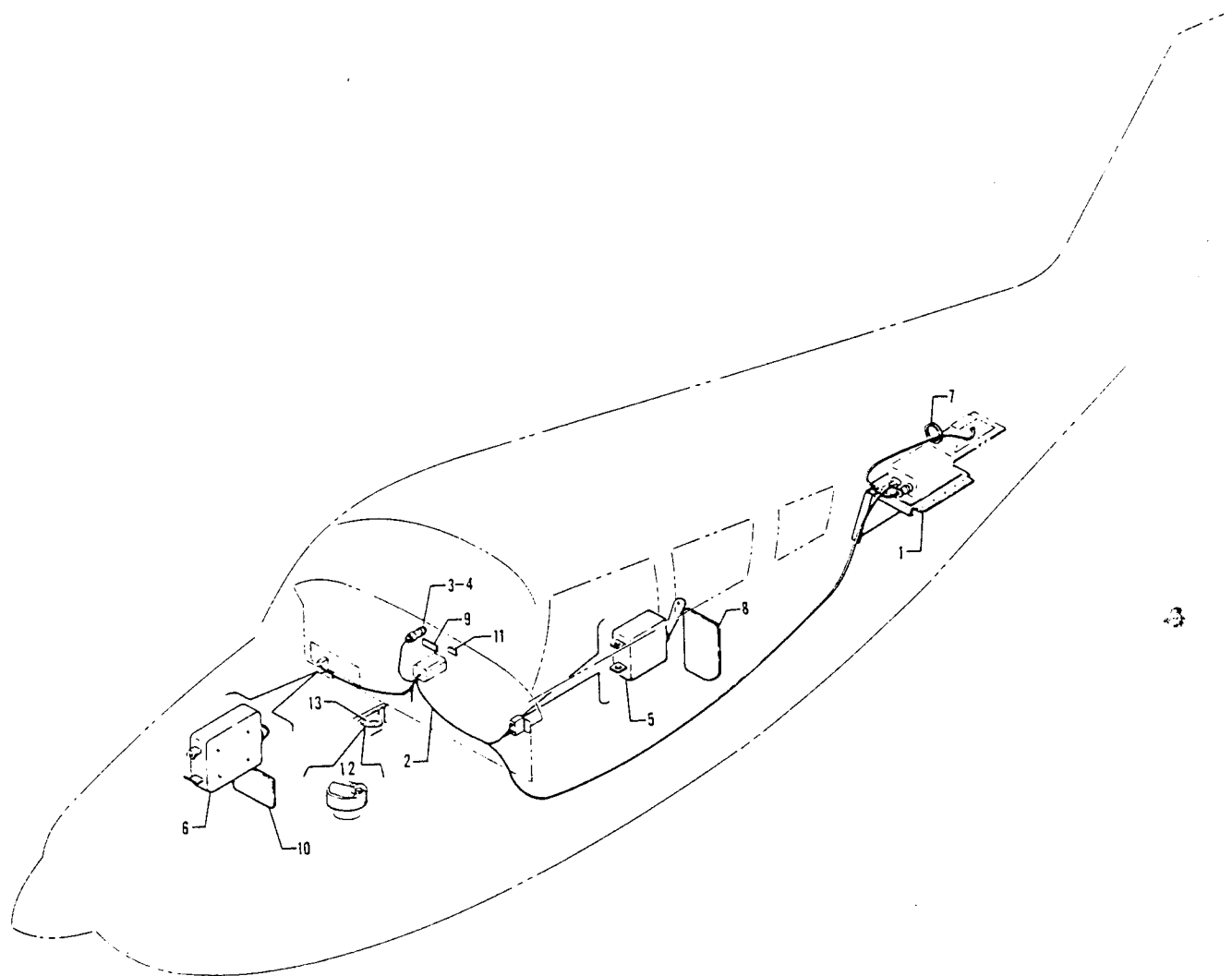


Figure 96. Radar Altimeter Installation

**PIPER PARTS CATALOG**

Figure and Index Number	Part Number	Code	NOMENCLATURE	No. Req.	SERIAL NUMBERS AFFECTED
96	37693		DRAWING - Radar Altimeter installation		
-1	37693-04		SUPPORT - Radar altimeter transmitter	1	
-2	37694-02		HARNES ASSEMBLY - Radar altimeter	1	
-3	761 198		LAMP ASSEMBLY - (136-0020-00)	1	
-4	472 054	W	LAMP - (PS10008-330)	1	
-5	587 923		SWITCH - (PS10095-1)	1	
-6	454 706		CIRCUIT BREAKER - (PS50120-1-2)	1	
-7	63186-12		MOULDING	1	
-8	69669-97		PLACARD - Radar altimeter on-off	1	
-9	69669-96		PLACARD - Radar altimeter off for take-off	1	
-10	69669-96		PLACARD - Radar altimeter	1	
-11	69669-114	A	PLACARD - Warning	1	28R-7635001 and up
-12	565 566		HORN - Warning	1	
-13	35672-02		BRACKET- Horn mounting	1	
			A - Used if air conditioning is installed.		
			W - These parts must be ordered from Service Spares Department, Piper Aircraft, Lock Haven, Penna,		

When ordering, always specify Part Number, Description, and Serial Number of Aircraft



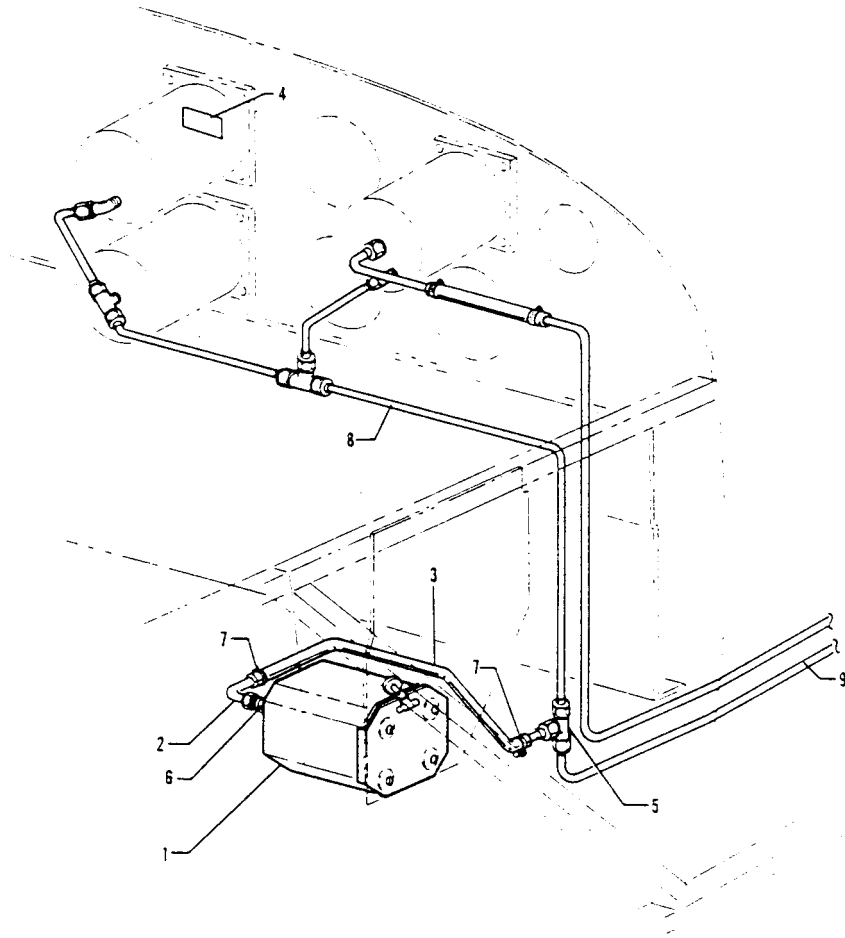


Figure 97. Encoder Installation (Narco - AR 500)  
(PA-28-140 - Serial Nos. 28-7725001 and up)  
(PA-28-235 - Serial Nos. 28-7710001 and up)

**PIPER PARTS CATALOG**

Figure and Index Number	Part Number	Code	NOMENCLATURE	No. Req.	SERIAL NUMBERS AFFECTED
97-	79658		DRAWING - Encoder Installation (Narco-AR 500)		
-1	596 605		ALTITUDE REPORTER - Narco (PS50040-30-2)	1	
-2	63211-00		TUBE ASSEMBLY - Encoder	1	
-3	63913-122		HOSE - Static	1	
-4	35669-154		PLACARD - Altitude reporter installed	1	
-5	68193-07		TEE ASSEMBLY - Static	1	
-6	476 647	W	UNION - (AN816-3D)	1	
-7	554 861	W	CLAMP - (SAE TY F4)	4	
-8	63913-68		HOSE - Static	1	
-9	63913-122	C	HOSE - Static	1	
	63913-37	B	HOSE - Static	1	
<p>A - Used on PA-28-140 with serial numbers 28-7725001 and up, and PA-28-235 with serial numbers 28-7710001 and up.                      B - Used on PA-28-140 airplanes only.                      C - Used on PA-28-235 airplanes only.                      W - These parts must be ordered from Service Spares Department, Piper Aircraft, Lock Haven, Penna.</p>					

When ordering, always specify Part Number, Description, and Serial Number of Aircraft

**PIPER PARTS CATALOG**

Figure and Index Number	Part Number	Code	NOMENCLATURE	No. Req.	SERIAL NUMBERS AFFECTED
	63973		DRAWING - Radio Installation, Narco VHT-3 Superhomer		28-1 to 28-1410 inclusive
	63974	A	DRAWING - Radio Installation, Narco VTR-2A Omnigator		
	63992	A	DRAWING - Radio Installation, King KX150		
	62894	B	DRAWING - Radio Installation, King KX150A		28-20002 to 28-24999 inclusive
	63487	C	DRAWING - Radio Installation, King KX150A		
	65641	D	DRAWING - Radio Installation, King KX150		
	62175	B	DRAWING - Radio Installation, Narco Mark 12		28-20002 to 28-24999 incl.
	62175	EF	DRAWING - Radio Installation, Narco Mark 12		
	62249	G	DRAWING - Radio Installation, Narco Mark 12		
	63389	C	DRAWING - Radio installation, Narco Mark 12		
	65713	D	DRAWING - Radio Installation, Narco Mark 12		
	65621	D	DRAWING - Radio Installation, Dual Narco Mark 12		
	62187	E	DRAWING - Radio Installation, Narco ADF-30		
	62926	B	DRAWING - Radio Installation, Narco ADF-30		28-20002 to 28-24999 incl.
	63387	C	DRAWING - Radio Installation, Narco ADF-30		
	63532	C	DRAWING - Radio Installation, Bendix ADF-T-12B		
	65710	D	DRAWING - Radio Installation, Bendix ADF-T-12		
	65794	B	DRAWING - Radio Installation, Bendix ADF-T-12		28-20002 to 28-24999 inclusive
	63784	AC	DRAWING - Radio Installation, Narco ADF-31		
	65711	D	DRAWING - Radio Installation, Narco ADF-31		
	65602	B	DRAWING - Radio Installation, Narco ADF-31		
	65684	B	DRAWING - Radio Installation, Narco Mark III		28-20002 to 28-24999 inclusive
	65752	D	DRAWING - Radio Installation, Narco Mark III		
	63535	CD	DRAWING - DME Installation, Narco UDI-3		
	65622	D	DRAWING - Glide Slope, Narco UGR-IA		
	63242	C	DRAWING - Radio System Installation		
	65714	D	DRAWING - Radio System Installation		
			A - Used on PA-28-150, PA-28-160 and PA-28-180 with serial numbers 28-1 to 28-1760 inclusive, and PA-28-235 with serial numbers 28-10003 to 28-10486 inclusive.		
			B - Used on PA-28-140 airplanes only.		
			C - Used on PA-28-150, PA-28-160 and PA-28-180 with serial numbers 28-1761 to 28-3377 inclusive, and PA-28-235 with serial numbers 28-10487 to 28-10719 inclusive.		
			D - Used on PA-28-150, PA-28-160 and PA-28-180 with serial numbers 28-3378 to 28-4377 inclusive, and PA-28-235 with serial numbers 28-10720 to 28-11039 inclusive.		
			E - Used on PA-28-150, PA-28-160 and PA-28-180 with serial numbers 28-1411 to 28-1760 inclusive, and PA-28-235 with serial numbers 28-10003 to 28-10486 inclusive.		
			F - Used when constant speed propeller is not installed.		
			G - Used on PA-28-235 with serial numbers 28-10166 to 28-10486 inclusive if constant speed propeller is installed.		

When ordering, always specify Part Number, Description, and Serial Number of Aircraft

**PIPER PARTS CATALOG**

Figure and Index Number	Part Number	Code	NOMENCLATURE	No. Req.	SERIAL NUMBERS AFFECTED
	67451	C,E	DRAWING - Radio Installation, Narco Mark III and VIII		
	67452	D	DRAWING - Radio Installation, Narco UDI-4 DME		
	99666	G	DRAWING - Radio Installation, King KN60C DME		
	79628	H	DRAWING - Radio Installation, King KN61 DME		
	67453	A	DRAWING - Receiver Installation, Narco UGR-2 Glide Slope		
	67456	D	DRAWING - Radio Installation, Narco ADF-31		
	67457	D	DRAWING - Radio Installation, Bendix ADF-T-12		
	67458	C	DRAWING - Radio Installation, Narco Mark12 and 16		
	66737	E	DRAWING - Radio Installation, Narco Mark 12 and 16		
	99459	F	DRAWING - Radio installation, Narco Mark 12 and 16		
	66739	B	DRAWING - Reciever installation, Narco UGR-2 Glide Slope		
	99404	F	DRAWING -Transponder Installation, Narco AT6-A or AT5-A		
			<p>A - Used on PA-28-180 with serial numbers 28-4378 to 28-7505261 inclusive, PA-28-235 with serial numbers 28-11040 to 28-7510145 inclusive, PA-28R-180, and PA-28R-200 with serial numbers 28R-30482, 28R-35001 to 28R-7535393 inclusive.</p> <p>B - Used on PA-28-140 with serial numbers 28-25000 to 28-7525350 inclusive.</p> <p>C - Used on PA-28-180 with serial numbers 28-4378 to 28-5869 inclusive, PA-28-235 with serial numbers 28-11040 to 28-11393 inclusive, PA-28R-180 with serial numbers 28R-30005 to 28R-30481, 28R-30483 to 28R-31279 inclusive, and PA-28R-200 with serial numbers 28R-30482, 28R-35001 to 28R-35830 inclusive.</p> <p>D - Used on PA-28-140 with serial numbers 28-25000 to 28-7425454 inclusive, PA-28-180 with serial numbers 28-4378 to 28-7405290 inclusive, PA-28-235 with serial numbers 28-11040 to 28-7410120 inclusive, PA-28R-180 with serial numbers 28R-30005 to 28R-7130019 inclusive, and PA-28R-200 with serial numbers 28R-30482, 28R-35001 to 28R-7435331 inclusive.</p> <p>E - Used on PA-28-140 with serial numbers 28-25000 to 28-26956 inclusive.</p> <p>F - Used on PA-28-140 with serial numbers 28-7125001 to 28-7425464 inclusive, PA-28-180 with serial numbers 28-7105001 to 28-7405290 inclusive, PA-28-235 with serial numbers 28-7110001 to 28-7410120 inclusive, PA-28R-180 with serial numbers 28R-7130001 to 28R-7130019 inclusive, and PA-28R-200 with serial numbers 28R-7135001 to 28R-7435331 inclusive.</p> <p>G - Used on PA-28-140 with serial numbers 28-7225001 to 28-7525350 inclusive, PA-28-180 with serial numbers 28-7205001 to 28-7505261 inclusive, PA-28-235 with serial numbers 28-7210001 to 28-7510145 inclusive, and PA-28R-200 with serial numbers 28R-7235001 to 28R-7535393 inclusive.</p> <p>H - Used on PA-28-140 with serial numbers 28-7625001 and up PA-28-235 with serial numbers 28-7610001 and up, and PA-28R-200 with serial numbers 28R-7635001 and up.</p>		

When ordering, always specify Part Number, Description, and Serial Number of Aircraft

**PIPER PARTS CATALOG**

Figure and Index Number	Part Number	Code	NOMENCLATURE	No. Req.	SERIAL NUMBERS AFFECTED
	99665	D,K	DRAWING -Transponder Installation, I.F.D., Starlight		
	99840	A,K	DRAWING -Transponder Installation, Narco AT50		
	99989	B	DRAWING - Transponder Installation, AT50/AT50A/AT150		
	99846	C	DRAWING - Transponder Installation, I.D.F. Skyline 300		
	69657	G	DRAWING - Transponder Installation, King KT76 or KT78		
	99608	H,J	DRAWING - Radio installation, King KX-170		
	99844	E	DRAWING - Radio Installation King KR 85		
	99837	F	DRAWING - Radio Installation, King KX-170A		
			<p>A - Used on PA-28-140 with serial numbers 28-7225001 to 28-7225503 inclusive, PA-28-180 with serial numbers 28-7205001 to 28-7205294 inclusive, PA-28-235 with serial numbers 28-7210001 to 28-7310001 inclusive, and PA-28R-200 with serial numbers 28R-7235001 to 28R-7235282 inclusive.</p> <p>B - Used on PA-28-140 with serial numbers 28-7225504 and up, PA-28-180 with serial numbers 28-7205295 and up, PA-28-235 with serial numbers 28-7310002 and up and PA-28R-200 with serial numbers 28R-7235283 and up.</p> <p>C - Used on PA-28-140 with serial numbers 28-7225231 to 28-7425454 inclusive, PA-28-180 with serial numbers 28-7205201 to 28-7405290 inclusive, PA-28-235 with serial numbers 28-7210015 to 28-7410120 inclusive, and PA-28R-200 with serial numbers 28R-7235124 to 28R-7435331 inclusive.</p> <p>D - Used on PA-28-140 with serial numbers 28-7225001 to 28-7425454 inclusive, PA-28-180 with serial numbers 28-7205001 to 28-7405290 inclusive, PA-28-235 with serial numbers 28-7210001 to 28-7410120 inclusive, and PA-28R-200 with serial numbers 28R-7235001 to 28R-7435331 inclusive.</p> <p>E - Used on PA-28-140 with serial numbers 28-7225187 and up, PA-28-180 with serial numbers 28-7205184 and up, PA-28-235 with serial numbers 28-7210013 and up and PA-28R-200 with serial numbers 28R-7235088 and up.</p> <p>F - Used on PA-28-140 with serial numbers 28-7225001 to 28-7225612 inclusive, PA-28-180 with serial numbers 28-7205001 to 28-7205328 inclusive, PA-28-235 with serial numbers 28-7210001 to 28-7210033 inclusive, and PA-28R-200 with serial numbers 28R-7235001 to 28R-7235330 inclusive.</p> <p>G - Used on PA-28-140 with serial numbers 28-7325001 and up, PA-28-180 with serial numbers 28-7305001 and up, PA-28-235 with serial numbers 28-7310001 and up and PA-28R-200 with serial numbers 28R-7335001 and up.</p> <p>H - Used on PA-28-180 with serial numbers 28-7105001 to 28-7405290 inclusive, PA-28-235 with serial numbers 28-7110001 to 28-7410120 inclusive, PA-28R-180 with serial numbers 28R-7130001 and up, and PA-28R-200 with serial numbers 28R-7135001 to 28R-7435331 inclusive.</p> <p>J - Used on PA-28-140 with serial numbers 28-7125001 to 28-7425454 inclusive.</p> <p>K - Reference latest revision of Service Bulletin 368 for Transponder Antenna Protector Installation using Kit No. 760-697V for PA-28/28R aircraft with factory installed IDF Starlight or Narco AT-50 transponders.</p>		

When ordering, always specify Part Number, Description, and Serial Number of Aircraft

**PIPER PARTS CATALOG**

Figure and Index Number	Part Number	Code	NOMENCLATURE	No. Req.	SERIAL NUMBERS AFFECTED
	79000	C	DRAWING - Radio Installation, King KX-170B or KX-175B		
	99824	B	DRAWING - Radio Installation, Narco COM-NAV 10/11 or 12		
	79307	A	DRAWING - Radio Installation, Narco COM 10/10, 11/111. NAV 10/110, 10/110. 11,111 or 12,112		
	79299	A	DRAWING - Narco CP 258/125 and MET-12-R Audio and Marker, Beacon Installation		
	79028	D	DRAWING - Radio Installation, King KX-175B with KN-73. KN-77 and KNI-520		
	79074	E	DRAWING - Dual ADF Installation, King KR-85, KR-86		
	79051	E	DRAWING - Single ADF Installation, King KR-86		
	79053	E	DRAWING - DME Installation, King KN-65/65A		
	79490	E	DRAWING - Single ADF Installation, Narco ADF-140		
	79493	E,H	DRAWING - Dual ADF Installation, Narco ADF-140/141		
	79491	E	DRAWING - DME Installation, Narco DME-190/190 TSO		
	79001	E	DRAWING - King KMA-20 Audio and Marker Beacon System Installation		
	76478	F	DRAWING - King KX-170B/B(E) COMM, Glideslope and NSD-360 Radio installation		28R-7635001 and up
	76488	F	DRAWING - Narco NAV 14/114 OC110 NSD-360 Radio Installation		28R-7635001 and up 28R-7635001 and up
	79068	E	DRAWING - King KN-74 Area NAV System Installation.		
	79663	G	DRAWING - Collins COM/NAV/GS Radio Installation		
	79662	G	DRAWING - Collins RCR-650 ADF Radio Installation		
	79669	G	DRAWING - Narco DME-195 Radio Installation		
	79660	G	DRAWING - Collins TDR-950 Transponder Installation		
	69982	G	DRAWING - King Single ADF/HF Compatibility Installation		
			A - Used on PA-28-140 with serial numbers 28-7425001 and up, PA-28-180 with serial numbers 28-7405001 and up, PA-28-235 with serial numbers 28-7410001 and up and PA-28R-200 with serial numbers 28R-7435001 and up.		
			B - Used on PA-28-140 with serial numbers 28-7225001 to 28-7325684 inclusive, PA-28-180 with serial numbers 28-7205001 to 28-7305611 inclusive, PA-28-235 with serial numbers 28-7210001 to 28-7310187 inclusive, and PA-28R-200 with serial numbers 28R-7235001 to 28R-7335455 inclusive.		
			C - Used on PA-28-140 with serial numbers 28-7325001 and up, PA-28-180 with serial numbers 28-7305001 and up, PA-28-235 with serial numbers 28-7310001 and up and PA-28R-200 with serial numbers 28R-7335001 and up.		
			D - Used on PA-28-140 with serial numbers 28-7324397 and up, PA-28-180 with serial numbers 28-7305382 and up, PA-28-235 with serial numbers 28-7310139 and up and PA-28R-200 with serial numbers 28R-7335232 and up.		
			E - Used on PA-28-140 with serial numbers 28-7525001 and up, PA-28-180 with serial numbers 28-7505001 and up, PA-28-235 with serial numbers 28-7510001 and up and PA-28R-200 with serial numbers 28R-7535001 and up.		
			F - Used on PA-28R-200 airplanes only.		
			G - Used on PA-28-140 with serial numbers 28-7725001 and up, and PA-28-235 with serial numbers 28-7710001 and up.		
			H- Reference latest revision to Service Letter 800 on performance refinement of NARCO ADF-140 installation.		

When ordering, always specify Part Number, Description, and Serial Number of Aircraft

**PIPER PARTS CATALOG**

Figure and Index Number	Part Number	Code	NOMENCLATURE	No. Req.	SERIAL NUMBERS AFFECTED
OPTIONAL EQUIPMENT KITS					
	754 431		CABIN EXHAUST VENT		28-1 to 28-400 inclusive
	754 497	A	WHEEL FAIRING INSTALLATION - "150" & "160"		28-1 to 28-670 inclusive
	754 498	A	WHEEL FAIRING INSTALLATION - "150" & "160"		28-671 to 28-1529 inclusive
	756 790	E,H	WHEEL FAIRING INSTALLATION - "140" "150" "160"		
	754 464	G	SUN VISOR INSTALLATION - Gray		
	757 090	C,D	VACUUM PUMP INSTALLATION - (Less Pump 481 753 and Drive Kit)		
	757 138	F	VACUUM PUMP INSTALLATION - (Less Pump 481 753 and Drive Kit 450 380)		
	760 287	B,D	VACUUM PUMP INSTALLATION - (Less Pump 481 753 and Drive Kit)		
<p>A - Less Fairings 63377-00, 63374-00 and 63374-01.</p> <p>B - Used on PA-28-140 with serial numbers 28-25000 to 28-7425454 inclusive, PA-28-180 with serial numbers 28-5122, 28-5130 to 28-5179 inclusive, 28-5228 to 28-7405290 inclusive, PA-28R-180 with serial numbers 28R-30879 to 28R-7130019 inclusive, PA-28R-200 with serial numbers 28R-30482, 28R-35001 to 28R-7435331 inclusive, and PA-28-235 with serial numbers 28-11040 to 28-7410120 inclusive.</p> <p>C - Used on PA-28-150, PA-28-160 and PA-28-180 with serial numbers 28-1 to 28-4377 inclusive, PA-28-140 with serial numbers 28-20002 to 28-24999 inclusive, and PA-28-235 with serial numbers 28-10003 to 28-11039 inclusive.</p> <p>D - Vacuum Pump Drive Kit 450 380 is required for PA-28-140, PA-28-150, PA-28-160, PA-28-180, PA-28R-180 and PA-28R-200. Vacuum Pump Drive Kit 754575 is required for PA-28-235.</p> <p>E - Less Fairings 65331-00, 65203-02 and 65203-03</p> <p>F - Used on PA-28-180 with serial numbers 28-4378 to 28-5121 inclusive, 28-5123 to 28-5129 inclusive, 28-5180 to 28-5227 inclusive, and PA-28R-180 with serial numbers 28R-30005 to 28R-30481 inclusive, 28R-30483 to 28R-30878 inclusive.</p> <p>G - Used on PA-28-140 with serial numbers 28-20002 to 28-21467 inclusive, PA-28-150, PA-28-160 and PA-28-180 with serial numbers 28-1 to 28-2477 inclusive, and PA-28-235 with serial numbers 28-10003 to 28-10719 inclusive.</p> <p>H - Used on PA-28-140 with serial numbers 28-20002 to 28-26799 inclusive, and PA-28-150 and PA-28-160 with serial numbers 28-1 to 28-4377 inclusive.</p>					

When ordering, always specify Part Number, Description, and Serial Number of Aircraft

**PIPER PARTS CATALOG**

Figure and Index Number	Part Number	Code	NOMENCLATURE	No. Req.	SERIAL NUMBERS AFFECTED
			OPTIONAL EQUIPMENT KITS (cont.)		
	754 401	E	NIGHT FLYING LIGHTS - (Less rotating beacon 452 465)		
	757 141	G	NIGHT FLYING LIGHTS - (Less rotating beacon 452 465)		
	756 746	D	FLOAT INSTALLATION - "180" (EDO Model 89-2000 Floats)		
	761 090	F,L	AUXILIARY POWER RECEPTACLE INSTALLATION		
	761 089	F,H	AUXILIARY POWER RECEPTACLE INSTALLATION		
	761 088	F	AUXILIARY POWER RECEPTACLE INSTALLATION - "140"		
	756 783	J,K	CONSTANT SPEED PROPELLER INSTALLATION - "235"		28-10166 to 28-11039 incl.
	760 209	J	CONSTANT SPEED PROPELLER INSTALLATION - "235"		28-11040 to 28-7210033 incl.
	756 785	A,B	STEP INSTALLATION		
	756 893	A,C	STEP INSTALLATION		
			<p>A - Less Step Assembly 65384-00.</p> <p>B - Used on PA-28-150, PA-28-160 and PA-28-180 with serial numbers 28-1 to 28-1520 inclusive, and PA-28-235 with serial numbers 28-10002 to 28-10232 inclusive.</p> <p>C - Used on PA-28-150, PA-28-160 and PA-28-180 with serial numbers 28-1521 to 28-1760 inclusive, PA-28-140 with serial numbers 28-20002 to 28-20300 inclusive, and PA-28-235 with serial numbers 28-10233 to 28-10486 inclusive.</p> <p>D - Less Propeller, Piper Part No.450 968 (McCauley Part No. (A200/FA8248) for PA-28S-180 with serial numbers 28S-671 to 28S-1760 inclusive, and Piper Part Number 450 963 (McCauley Part No, IA200/DFA8248) For PA-28S-180 with serial numbers 28S-1761 to 28S-7205328 inclusive, and Floats.</p> <p>E - Used on PA-28-140 with serial numbers 28-20002 to 28-24999 inclusive, PA-28-150, PA-28-160 and PA-28-180 with serial numbers 28-1 to 28-4377 inclusive, and PA-28-235 with serial numbers 28-10003 to 28-11039 inclusive.</p> <p>F - Less External Power Connector Plug Assembly, Part No 62355-02.</p> <p>G - Used on PA-28-140 with serial numbers 28-25000 to 28-7425454 inclusive. PA-28-180 with serial numbers 28-4378 to 28-7405290 inclusive, PA-28-235 with serial numbers 28-11040 to 28-7410120 inclusive, PA-28R-180 with serial numbers 28R-30005 to 28R-7130019 inclusive, and PA-28R-200 with serial numbers 28R-35001 to 28R-7435331 inclusive.</p> <p>H - Used on PA-28-180 with serial numbers 28-4378 to 28-7507259 inclusive, PA-28-235 with serial numbers 28-10720 and up, PA-28R-200 with serial numbers 28R-35001 and up and PA-28R-180.</p> <p>J - Less Propeller Piper Part No. 550 938 and Governor Piper Part Nos. 6663402 and 66634-10)</p> <p>K - Four sets of Engine Shock Mounts 475 114 are required and must be ordered separately when ordering kit for serial numbers 28-10166 to 28-10261 inclusive, 28-10263, 28-10264 and 28-10265.</p> <p>L - Used on PA-28-150. PA-28-160 and PA-28-180 with serial numbers 28-1 to 28-4377 inclusive. and PA-28-235 with serial numbers 28-10003 to 28-10719 inclusive.</p>		

When ordering, always specify Part Number, Description, and Serial Number of Aircraft



**PIPER PARTS CATALOG**

Figure and Index Number	Part Number	Code	NOMENCLATURE	No. Req.	SERIAL NUMBERS AFFECTED
OPTIONAL EQUIPMENT KITS (cont.)					
	756 810		NAV-TIMER INSTALLATION - "180" & "235"		
	756 825		NAV-TIMER INSTALLATION - "140" "150" - "160"		
	756 897	D	SINGLE TOE BRAKE INSTALLATION		
	756 898	E	SINGLE TO DUAL TOE BRAKE INSTALLATION		
	756 899	G	DUAL TOE BRAKE INSTALLATION		
	756 962	C,F	FAMILY SEAT INSTALLATION - "140"		28-20002 to 28-20939 inclusive
	756 941	F	FAMILY SEAT INSTALLATION - "140"		28-20940 and up
	760 365	A,B	INERTIA SAFETY SHOULDER BELT INSTALLATION - Black		
	763 966	K	SHOULDER HARNESS INSTALLATION - Passenger seats		
	763 967	J	SHOULDER HARNESS INSTALLATION - Passenger seats		28-7225001 and up
	760 284	H	HAT SHELF BULKHEAD INSTALLATION - "140"		
			<p>A - Used on PA-28-140 with serial numbers 28-20001 to 28-7125651 inclusive, PA-28-150, PA-28-160 and PA-28-180 with serial numbers 28-2478 to 28-7105244 inclusive, PA-28235 with serial numbers 28-10676 to 28-7110042 inclusive, PA-28R-180 with serial numbers 28R-30005 to 28R-7130019 inclusive, and PA-28R-200 with serial numbers 28R-30482, 28R-35001 to 28R-7135238 inclusive.</p> <p>B - Less reel covers; see Seat Installation, Figure 28 or 28A, to order reel covers required.</p> <p>C - Propeller, Part No, 460 944 (58" Pitch), is required for serial numbers 28-20002 to 28-20939 inclusive, and Floor and Carpet Assembly 65512-00 (Brown) or 65512-04 (Gray) is required for serial numbers 28-20002 to 28-20909 inclusive, and must be ordered separately.</p> <p>D - Used on PA-28-140 with serial numbers 28-20521 and up, PA-28-150, PA-28-160 and PA-28-180 with serial numbers 28-1761 and up.</p> <p>E - Used on PA-28-140 with serial numbers 28 -20521 and up, PA-28-150, PA-28-160 and PA-28-180 with serial numbers 28-1761 and up, PA-28-235 with serial numbers 28-10487 and up, and PA-28R-180 and PA-28R-200 airplanes.</p> <p>F - Less seats and seat belts; see Rear Seat installation, Figures 29 for these items.</p> <p>G - Used on PA-28-140 with serial numbers 28-20521 and up, PA-28-150, PA-28-160 and PA-28-180 with serial numbers 28-1761 and up, and PA-28-235 with serial numbers 28-10487 and up.</p> <p>H - Family Seat Installation Kit 756 962 and Propeller, Part No. 450 944, are required on aircraft with serial numbers 28-20001 to 28-20939 inclusive if not previously installed.</p> <p>J - Used on PA-28-140 airplanes only.</p> <p>K - Used on PA-28-180 with serial numbers 28-7205001 and up, PA-28-235 with serial numbers 28-7210001 and up, and PA-28R-200 with serial numbers 28R-7235001 and up.</p>		

When ordering, always specify Part Number, Description, and Serial Number of Aircraft

**PIPER PARTS CATALOG**

Figure and Index Number	Part Number	Code	NOMENCLATURE	No. Req.	SERIAL NUMBERS AFFECTED
OPTIONAL EQUIPMENT KITS (cont.)					
	760 296	G	PITOT COVER		
	760 297	H	PITOT COVER		
	757 088	A,B	AUTOCONTROL III - (3 inch gyros)		
	757 131	F	AUTOCONTROL III - (3 inch gyros)		
	761 002	D	AUTOCONTROL III B (with radio coupler)		
	761 003	D	AUTOCONTROL III B (without radio coupler)		
	757 042	B	RADIO COUPLER INSTALLATION		
	757 137	F	RADIO COUPLER INSTALLATION		
	760 992	E	ELECTRIC PITCH TRIM (less trim switch)		28-7325001 and up
	760 993	C	ELECTRIC PITCH TRIM		
			A - Instrument cover panel, P/N69060-03 required for PA-28-150, PA-28-160 and PA-28-180 with serial numbers 28-3590 to 28-4084 inclusive, and PA-28-235 with serial numbers 28-10741 to 28-10926 inclusive.		
			B - Used on PA-28-150, PA-28-160 and PA-28-180 with serial numbers 28-3590 to 28-4377 inclusive, and PA-28-235 with serial numbers 28-10741 to 28-11039 inclusive.		
			C - Used on PA-28-180 with serial numbers 28-4378 and up, PA-28-235 with serial numbers 28-11040 and up, PA-28R-200 with serial numbers 28R-35001 and up, and PA-28R-180.		
			D - Used on PA-28-140 with serial numbers 28-7525001 and up, PA-28-180 with serial numbers 28-7505001 and up, PA-28-235 with serial numbers 28-7510001 and up, and PA-28R-200 with serial numbers 28R-7535001 and up.		
			E - Used on PA-28-140 airplanes only. Order electric trim switch 67443-04 for a bowtie style control wheel, or electric trim switch 79652-03 for a ramshorn style control wheel.		
			F - Used on PA-28-140 with serial numbers 28-25000 to 28-7425454 inclusive, PA-28-180 with serial numbers 28-4378 to 28-7405290 inclusive, PA-28-235 with serial numbers 28-11040 to 28-7410120 inclusive, PA-28R-180 with serial numbers 28R-30001 to 28R-7130013 inclusive, and PA-28R-200 with serial numbers 28R-35001 to 28R-7435323 inclusive.		
			G - Used on PA-28R-180 and PA-28R-200 airplanes only.		
			H - Used on PA-28R-140 with serial numbers 28-20281 and up, PA-28-150, PA-28-160 and PA-28-180 with serial numbers 28-1761 and up, and PA-28-235 with serial numbers 28-10487 and up.		

When ordering, always specify Part Number, Description, and Serial Number of Aircraft

**PIPER PARTS CATALOG**

Figure and Index Number	Part Number	Code	NOMENCLATURE	No. Req.	SERIAL NUMBERS AFFECTED
OPTIONAL EQUIPMENT KITS (cont.)					
	757 027	A	AUTOFLITE (Less AutoNav Tracker)		
	757 135	H	AUTOFLITE (Less AutoNav Trac(er))		
	757 188	E	AUTONAV TRACKER INSTALLATION		
	757 197	J	AUTONAV TRACKER INSTALLATION		
	757 198	H	AUTONAV TRACKER NSTALLATION		
	760 480	G	AUTOFLITE II (With Tracker)		
	760 481	G	AUTOFLITE II (Without Tracker)		
	757 004	B	HEATED PITOT STATIC SYSTEM INSTALLATION		
	757 140	D	HEATED PITOT STATIC SYSTEM INSTALLATION		
	760 198	C	HEATED PRESSURE HEAD INSTALLATION		
	760 199	F	HEATED PITOT STATIC AND HEATED PRESSURE HEAD INSTALLATION		
			<p>A - Used on PA-28-140 with serial numbers 28-20002 to 28-24999 inclusive, PA-28-150, PA-28-160 and PA-28-180 with serial numbers 28-1231 to 28-4377 inclusive, and PA-28-235 with serial numbers 28-10003 to 28-11039 inclusive.</p> <p>B - Used on PA-28-140 with serial numbers 28-20281 to 28-24999 inclusive, PA-28-150, PA-28-160 and PA-28-180 with serial numbers 28-1761 to 28-4377 inclusive, and PA-28-235 with serial numbers 28-10487 to 28-11039 inclusive.</p> <p>C - Used on PA-28R-180 with serial numbers 28R-30005 to 28R-30481 inclusive, 28R-30483 to 28R-30878 inclusive.</p> <p>D - Used on PA-28-140 with serial numbers 28-25000 and up, PA-28-180 with serial numbers 28-4378 and up, and PA-28-235 with serial numbers 28-11040 and up.</p> <p>E - Used on PA-28-140 with serial numbers 28-20002 to 28-23746 inclusive, PA-28-150, PA-28-160 and PA-28-180 with serial numbers 28-1231 to 28-4377 inclusive, and PA-28-235 with serial numbers 28-10003 to 28-11002 inclusive.</p> <p>F - Used on PA-28R-180 and PA-28R-200 airplanes only.</p> <p>G - Used on PA-28-140 with serial numbers 28-7125001 and up, PA-28-180 with serial numbers 28-7105001 and up, PA-28-235 with serial numbers 28-7110001 and up, PA-28R-180 with serial numbers 28R-7130001 and up, and PA-28R-200 with serial numbers 28R-7135001 and up.</p> <p>H - Used on PA-28-140 with serial numbers 28-25000 to 28-26956 inclusive, PA-28-180 with serial numbers 28-4378 to 28-5869 inclusive, PA-28-235 with serial numbers 28-11040 to 28-11393 inclusive, PA-28R-180 with serial numbers 28R-30005 to 28R-30481 inclusive, 28R-30483 to 28R-31279 inclusive, and PA-28R-200 with serial numbers 28R-30482, 28R-35001 to 28R-35830 inclusive.</p> <p>J - Used on PA-28-140 with serial numbers 28-23747 to 28-24999 inclusive, and PA-28-235 with serial numbers 28-11003 to 28-11039 inclusive.</p>		

When ordering, always specify Part Number, Description, and Serial Number of Aircraft

**PIPER PARTS CATALOG**

Figure and Index Number	Part Number	Code	NOMENCLATURE	No. Req.	SERIAL NUMBERS AFFECTED
			OPTIONAL EQUIPMENT KITS (cont.)		
	760 210	A,C	ALTERNATE STATIC SYSTEM INSTALLATION		
	757 163	M	PIPER MIXTURE CONTROL INDICATOR KIT		
	760 189	N,W	MAP CLIP INSTALLATION (Mounted on control wheel		
	760 195	K	FUEL TANK DRAIN AND SAMPLER		
	760 196	L	FUEL TANK DRAIN AND SAMPLER		
	757 112	W	NITROGEN CYLINDER ASSEMBLY (with fittings)		
	760 383	G	WINTERIZATION KIT		
	760 384	H	WINTERIZATION KIT		
	760 458	J	CYLINDER HEAD TEMPERATURE GAUGE INSTALLATION		28-25000 and up
	760 459	F	CYLINDER HEAD TEMPERATURE GAUGE INSTALLATION		
	760 460	E	CYLINDER HEAD TEMPERATURE GAUGE INSTALLATION		
	760 455	D	BAGGAGE DOOR LOCK REPLACEMENT KIT (with lock)		
	760 456	B	BAGGAGE DOOR LOCK CONVERSION KIT (less lock)		
			A - Used on PA-28-140 with serial numbers 28-25000 and up, PA-28-180 with serial numbers 28-4378 and up, PA-28-235 with serial numbers 28-11040 and up, PA-28R-180, and PA-28R -200 .		
			B - Used on PA-28-150, PA-28-160 and PA-28-180 with serial numbers 28-1715 to 28-5313 inclusive, PA-235 with serial numbers 28-10487 to 28-11227 inclusive, and PA-28R-180 with serial numbers 28R-30005 to 28R-30481, 28R-30483 to 28R-31092 inclusive.		
			C - On the PA-28R-180 Models, it will be necessary to order and replace present unheated pitot static head with unheated head, Part No- 63477- 00, for serial numbers 28R-30005 to 28R-30253 inclusive. If heated pitot static head is installed, order heated head, Part No.69041-02, for serial numbers 28R-30005 to 28R-30253 inclusive. If heated pitot static Kit 757 140 or 760 199 has been installed it will not be necessary to secure a new heated head assembly.		
			D - Used on PA-28-150, PA-28-160 and PA-28-180 with serial numbers 28-1 to 28-5313 inclusive, PA-28-235 with serial numbers 28-10003 to 28-11227 inclusive, and PA-28R-180 with serial numbers 28R-30005 to 28R-30481, 28R-30483 to 28R-31092 inclusive.		
			E - Used on PA-28R-200 airplanes only.		
			F - Used on PA-28-180 with serial numbers 28-4378 to 28-7505261 inclusive, PA-28-235 with serial numbers 28-11040 and up and PS-28R-180.		
			G - Used on PA-28R-180 with serial numbers 28R-30005 to 28R-30481 inclusive, 28R-30483 to 28R-31266 inclusive.		
			H- Used on PA-28R-200 with serial numbers 28R-30462 and 28R-35001 to 28R-35344 inclusive.		
			I - Used on PA-28R-200 with serial numbers 28R-30482, 28R-35001 to 28R-35344 inclusive.		
			J - Used on PA-28-140 airplanes only.		
			K - Used on PA-28R-180 with serial numbers 28R-30005 to 28R-30274 inclusive. PA-28-140. PA-28-150, PA-28-160 and PA-28-180 airplanes.		
			L - Used on PA-28-235 airplanes only.		
			M - Used on PA-28-150, PA-28-160. PA-28-180. PA-28-235. PA-28R-180 and PA-28R-200.		
			N - Used on PA-28-180 with serial numbers 28-4378 to 28-7505261 inclusive, PA-28-235 with serial numbers 28-11040 to 28-7710089 inclusive, PA-28R-180 with serial numbers 28R-30005 to 28R-7130019 inclusive and PA-28R200 with serial numbers 28R-35001 to 28R-7635545 inclusive.		
			W - These parts must be ordered from Service Spares Department, Piper Aircraft. Lock Haven, Penna.		

When ordering, always specify Part Number, Description, and Serial Number of Aircraft

**PIPER PARTS CATALOG**

Figure and Index Number	Part Number	Code	NOMENCLATURE	No. Req.	SERIAL NUMBERS AFFECTED
			OPTIONAL EQUIPMENT KITS (cont.)		
	760 537	S	FLITE LINER TO 140 CRUISER CONVERSION		
	760 542	E,C	LANDING GEAR BACK-UP ACTUATOR OVERRIDE MECHANISM		
	761 008	F	RADIO COOLING INSTALLATION KIT		
	763 828	J	ENGINE BREATHER TUBE WINTERIZATION KIT		
	763 874	G,H	VACUUM TO ELECTRIC TURN & SLIP CONVERSION		
	763 842		ELT REPLACEMENT (Garrett or Communications Components Corp. ELT to Narco ELT 10)		
	763 920	K	IMPROVED CABIN HEAT/CENTER DUCT		
	763 962		DOOR JAMB SNUBBER INSTALIATION		
	764 928	M	CONTROL ALTERNATOR REPLACEMENT		
	765 303	L	BACK UP LANDING GEAR EXTENDER REMOVAL KIT		
			REPAIR KITS		
	757 182	A	BRAKE SYSTEM "O" RINGS AND SEALS		All
	757 184	B	BRAKE SYSTEM "O" RINGS AND SEALS		
	757 165	A	LANDING GEAR "O" RINGS AND SEALS		
	757 181	B	LANDING GEAR "O" RINGS AND SEALS		
	179-876		SEALANT - White window sealant cartridge		
			A - Used on PA-28-140, PA-28-150, PA-28-180, and PA-28-235 airplanes.		
			B - Used on PA-28R-180 and PA-28R-200 airplanes only.		
			C - Less Flap Handle Cover Assembly P/N 67917-00 Red, 67917-02 Brown, 67917-03 Black, 67917-04 Green or 67917-05 Blue/Green.		
			D - Used on PA-28-140 airplanes only.		
			E - Used on PA-28R-180 with serial numbers 28R-30004 to 28R-31135 inclusive, 28R-31251 to 28R-31270 inclusive, 28R-7130001 to 28R-7130057 inclusive and PA-28R-200 with serial numbers 28R-35001 to 28R-35392 inclusive, 28R-35601 to 28R-35820 inclusive, 28R-7135001 to 28R-7135232 inclusive.		
			F - Used on PA-28-140 with serial numbers 28-25000 to 28-7425454 inclusive, PA-28-150, PA-28-160 and PA-28-180 with serial numbers 28-1761 to 28-7405290 inclusive, PA-28-235 with serial numbers 28-11040 to 28-7410120 inclusive, PA-28R-180. and PA-28R-200 with serial numbers 28R-35001 to 28R-7435331 inclusive.		
			G - Less Turn Coordinator Instrument P/N 548 190.		
			H - Used on PA-28-150, 160 and 180 with serial numbers 28-3378 and up; PA-28-235 with serial numbers 28-10720 and up; PA-140 with serial numbers 28-25000 and up; PA-28R-180 and PA-28R-200 aircraft.		
			J - Used on PA-28-140, PA-28-150, PA-28-160, PA-28-180, PA-28R-180 and PA-28R-200 only.		
			K - Used on PA-28-180 with serial numbers 28-7305001 to 28-7505259 incl., PA-28-235 with serial numbers 28-7710089 incl., and PA-28R-200 with serial numbers 28 R -7135001 to 28R -7635545 inclusive.		
			L - Used on PA-28R-180 with serial numbers 28R-30004 through 28R-7130013 and PA-28R-200 with serial numbers 28R-35001 through 28R-7635545.		
			W - These parts must be ordered from Service Spares Department, Piper Aircraft, Lock Haven, Penna.		

When ordering, always specify Part Number, Description, and Serial Number of Aircraft

**PIPER PARTS CATALOG**

Figure and Index Number	Part Number	Code	NOMENCLATURE	No. Req.	SERIAL NUMBERS AFFECTED
			<b>3k8</b> <b>intentionally left blank</b>		

When ordering, always specify Part Number, Description, and Serial Number of Aircraft

**PIPER PARTS CATALOG**

Figure and Index Number	Part Number	Code	NOMENCLATURE	No. Req.	SERIAL NUMBERS AFFECTED
			OPTIONAL EQUIPMENT KITS (cont.)		
	764 981	A	INERTIA SAFETY SHOULDER BELT INSTALLATION		
	767 510	B	PLACARD - Tachometer limitation		
	767 397	C	RIB FLANGE REPAIR		
	88416-02	D	LANDING GEAR WARNING HORN FLASHER REPLACEMENT		
	765 303	E	BACK UP LANDING GEAR EXTENDER REMOVAL		
	754 462	F	REPLACEMENT OF PROPELLER BOLTS		
	757 046	G	SPINNER MODIFICATION		
	757 085	H	RUDDER TRIM INSTALLATION MODIFICATION		
	757 123V	I	INSTALLATION OF LANDING GEAR TORQUE LINK BOLT KIT		
			<p>A - Used on PA-280-140 with serial numbers 28-20000 to 28-26946 inclusive, PA-28-150 with serial numbers 28-7125001 to 28-7725290 inclusive, PA-28-160 with serial numbers 28-01 to 28-4377 inclusive, PA-28-180 with serial numbers 28-671 to 28-5859 inclusive, PA-28R-180 with serial numbers 28-7105001 to 28-7505260 inclusive, PA-28R-200 with serial numbers 28R-30004 to 28R-31270 inclusive and PA-28-235, with serial numbers 28R-7130001 to 28R7130013 inclusive.</p> <p>B- Used on PA28R-200 with serial numbers 28R-30482, 28R-35001 to 28R-7135238 inclusive, and 28R-7235001 to 28R-7635516 inclusive.</p> <p>C- Used on PA-28R-180 with serial numbers 28R-30002 to 28R-31270 inclusive and 28R-7130001 to 28R-7130013 inclusive, PA-28R-200 with serial numbers 28R-35001 to 28R-35820 inclusive and 28R-7135001 to 28R-7135229 inclusive, and PA-28R-200 with serial numbers 28R-7235001 to 28R-7635545 inclusive.</p> <p>D- Used on PA-28R-180 with serial numbers 28R-30005 and up and PA-28R-200 with serial numbers 28R-30482, 28R-35001 to 7135238 inclusive and 28R-7235001 to 28R-7635545 inclusive.</p> <p>E- Reference latest revision of Service Bulletin No. 866 on Back Up Landing Gear Extender Removal for PA-28R-180 with serial numbers 28R-30004 to 28R-7130013 inclusive and and PA-28R-200 with serial numbers 28R-35001 to 28R-7635545 inclusive.</p> <p>F- Reference latest revision of Service Bulletin No. 209 on Replacement of Propeller Bolts for PA-28-1 to PA-28-314 inclusive.</p> <p>G- Reference latest revision of Service Bulletin No. 234 on Spinner Bulkhead Assembly for PA-28-150/160/180 with serial numbers 28-1761 to 28-3533.</p> <p>H- Reference latest revision of Service Bulletin No. 237 on Rudder Trim Installation Modification for PA-28-140/150/160/180/235 with serial numbers 28-20521 to 28-22173 inclusive, 28-1761 to 28-3656 inclusive and 28-10487 to 28-10755 inclusive.</p> <p>I- Reference latest revision of Service Bulletin No. 248 on Main Landing Gear Torque Links for PA-28-140 aircraft with serial numbers 28-20001 to 28-21594 inclusive, PA-28-150/160/180 aircraft with serial numbers 28-1 to 28-3236 inclusive and PA-28-235 with serial numbers 28-10001 to 28-10720 inclusive.</p>		

When ordering, always specify Part Number, Description, and Serial Number of Aircraft

**PIPER PARTS CATALOG**

Figure and Index Number	Part Number	Code	NOMENCLATURE	No. Req.	SERIAL NUMBERS AFFECTED
			OPTIONAL EQUIPMENT KITS (cont.)		
	760 251V	A	FUEL SELECTOR CONTROL STOP ASSEMBLY		
	760 292V	B	NOSE GEAR DOWN LOCK		
	760 532V	C	VERTICALLY ADJUSTABLE SEAT FRAME TUBE REPLACEMENT KIT		
	760 560V	D	MAIN TANK VENT MODIFICATION		
	760 697V	E	TRANSPONDER ANTENNA COVER PROTECTOR INSTALLATION		
	760 681V	F	FUEL SELECTOR CONTROL MODIFICATION		
	760 682V	G	FUEL SELECTOR CONTROL MODIFICATION		
	760 794V	H	REAR SEAT BELT ATTACHMENT MODIFICATION		
			<p>A- Reference the latest version of Service Bulletin 285. for PA-28-235 aircraft with serial numbers 28-10003 thru 28-10719 inclusive.</p> <p>B- Reference latest version of Service Bulletin 292 on Landing Gear Modifications to the PA-28R-180 aircraft with serial numbers 28-30004 to 28-31091 inclusive.</p> <p>C- Reference latest revision of Service Bulletin No. 337 for Vertically Adjustable Seat Frame Tube Replacement Kit No. 760 532V for PA-28-140 with serial numbers 28-26401 to 28-26956 inclusive, 28-7125001 to 28-7125227 inclusive, PA-28-180 with serial numbers 28-5601 to 28-5869 and 28-7105001 to 28-7125227 inclusive, PA-28R-180 with serial numbers 28R-31251 to 28R-31279 inclusive, 28R-7130001 and 28R-7130002, PA-28R-200 with serial numbers 28R-35601 to 28R-35830 inclusive and 28R-7135001 to 28R-7135070 inclusive and PA-28-235 with serial numbers 28-11301 to 28-11393 inclusive and 28-7110001 to 28-7110009 inclusive.</p> <p>D- Reference latest revision of Service Bulletin No. 342 for Fuel Systems Instructions and Modification on the PA-235 using serial numbers 28-1001 to 28-11378 inclusive and 28-7110001 to 28-7110024 inclusive.</p> <p>E- Reference latest revision of Service Bulletin 368 for Transponder Antenna Protector Installation using Kit No. 760-697V for PA-28/28R aircraft with factory installed IDF Starlight or Narco AT-50 transponders. Used in PA-28-140 aircraft with serial numbers 28-7225093 to 28-7225503 inclusive, PA-28-180 with serial numbers 28-7205094 to 28-7205294 inclusive, PA-28-235 with serial numbers 28-7210004 thru 28-7310001 inclusive and PA-28R-200 with serial numbers 28R-7235001 to 28R-7235282 inclusive.</p> <p>F- Reference latest revision to Service Bulletin 376; for use with PA-28-235 aircraft with serial numbers 28-10001 to 28-10785 inclusive.</p> <p>G- Reference latest revision to Service Bulletin 376; Used in PA-28-235 aircraft with serial numbers 28-10786 to 28-11039 inclusive.</p> <p>H- Reference latest revision of Service Bulletin 393 for Rear Seat Belt Attachment Modification for PA-28-140 with serial numbers 28-7225001 to 28-7325674 inclusive, PA-28-180 with serial numbers 28-7205001 to 28-7305601 inclusive, PA-28-235 with serial numbers 28-7210001 to 28-7310176 inclusive and PA-28R-200 with serial numbers 28R-7235001 to 28R-7335446 inclusive.</p>		

When ordering, always specify Part Number, Description, and Serial Number of Aircraft



### PIPER PARTS CATALOG

Figure and Index Number	Part Number	Code	NOMENCLATURE	No. Req.	SERIAL NUMBERS AFFECTED
			OPTIONAL EQUIPMENT KITS (cont.)		
	761 074V	A	NOSE GEAR TRUNNION MODIFICATION		
	765-157	B	BATTERY STRAP INSTALLATION		
	765-186	C	AMMETER REPLACEMENT		
	760-546	D	FUEL SELECTOR VALVE COVER REPLACEMENT		
	760-510	E	TACHOMETER LIMITATION PLACARD		
	754 477	F	RADIO CONTROL COOLING		
	756 896	G	STABILATOR TRIM INSTALLATION		
	756 930	G	STABILATOR TRIM INSTALLATION		
	760 558	H	ENGINE BAFFLE MODIFICATION		
	760 599	I	OIL COOLER HOSE REPOSITIONING		
		A-	Reference latest revision to Service Bulletin 510B. Used in the PA-28R-200 with serial numbers 28R-7635001 to 28R-7635432 inclusive.		
		B-	Reference latest revision of Service Bulletin 804. Used in PA-28-180 aircraft with serial numbers 28-7505001 thru 28-7505259 inclusive, PA-28-235 with serial numbers 28-7510001 thru 28-7710089 inclusive and PA-28R-200 with serial numbers 28R-7535001 thru 28R-7635545 inclusive.		
		C-	Reference Service Bulletin 811A. Used In PA-28-150/160 aircraft with serial numbers 28-3378 thru 28-4377 inclusive, PA-28-180 with serial numbers 28-3378 thru 28-7505259 inclusive and 28-E13, and PA-28-235 with serial numbers 28-10720 thru 28-7710089 inclusive and 28-E11.		
		D-	Reference latest revision of Service Bulletin 840. Used in PA-28-140 with serial numbers 28-20000 thru 28-26946 inclusive, PA-28-140/150/160/180 with serial numbers 28-01 thru 28-5859 inclusive, PA-28R-180 with serial numbers 28R-30000 thru 28R-31270 inclusive and PA-28R-200 with serial numbers 28R-35001 thru 28R-35820 inclusive.		
		E-	Reference latest revision to Service Bulletin 1164. Used in the PA-28R-200 Arrow with serial numbers 28R-35001 through 28R-35820 inclusive, 28R-7135001 through 28R-7235001 through 28R-7635545 inclusive and PA-28R-200 Arrow II with serial numbers 28R-7235001 through 28R-7635545 inclusive using Kit No. 767-510.		
		F-	Used in PA-28 Cherokees with serial numbers 28-1 to 29-913. Reference Service Letter 394.		
		G-	Reference latest revision to Service Letter 450. Used in PA-28 aircraft with serial numbers 28-1 to 28-1410.		
		H-	Reference Service Letter 587 for Engine Baffle Modification information using Kit No. 760 558v on the PA-28R-200 Cherokee Arrow with serial numbers 28R-30482, 28R-35001 to 28R-35392 inclusive, 28R-35601 to 28R-36820 inclusive and 28R-7135001 to 28R-7135235 inclusive.		
		I-	Reference Service Letter 611. Used in PA-28-140 Cherokee aircraft with serial numbers 28-7125472 through 28-7225172 inclusive.		

When ordering, always specify Part Number, Description, and Serial Number of Aircraft

**PIPER PARTS CATALOG**

Figure and Index Number	Part Number	Code	NOMENCLATURE	No. Req.	SERIAL NUMBERS AFFECTED
OPTIONAL EQUIPMENT KITS (cont.)					
	760 729 760 740 760 780 760 842 760 900V 760 901 760 902 761 103	A B C D E E E F	<p>FORWARD CABIN DOOR REINFORCEMENT</p> <p>SEAT BACK STOP MODIFICATION</p> <p>THROTTLE CONTROL CABLE ALIGNMENT</p> <p>TOE BRAKE SYSTEM MODIFICATION</p> <p>FRESH AIR VENT MODIFICATION</p> <p>FRESH AIR VENT MODIFICATION</p> <p>FRESH AIR VENT MODIFICATION</p> <p>VERTICALLY ADJUSTABLE SEAT CONTROL ASSEMBLY</p> <p>A- Reference Service Letter 620 for instruction on Forward Cabin Door Reinforcement using Kit No. 760 729. Use in PA-28-140 with serial numbers 28-20001 to 28-7325229 inclusive, PA-28-150/160/180 Cherokees with serial numbers 28-03 and 28-1 to 28-7205318 inclusive, PA-28-235 Cherokees with serial numbers 28-10001 to 28-7210023 inclusive, PA-28R-180 Cherokee Arrows with serial numbers 28R-30002 to 28R-7130013 inclusive and PA-28R-200 Cherokee Arrows with serial numbers 28R-35001 to 28R-7135299 inclusive.</p> <p>B- Used on PA-28-140 aircraft with serial numbers 28-7325001 to 28-7325198 inclusive, PA-28-180 with serial numbers 28-7305001 to 28-7305197 inclusive and PA-28-235 with serial numbers 28-7310001 to 28-7310077 inclusive.</p> <p>C- Reference latest revision to Service Letter 670A. Used in PA-28-140 aircraft with serial numbers 28-25001 to 28-6331 inclusive, 28-6401 to 28-26946 inclusive, 28-7125001 to 28-7125641 inclusive, and 28-7225001 to 28-7225373 inclusive.</p> <p>D- Reference latest revision to Service Letter 700. Used in PA-28-140 aircraft with serial numbers 28-7425001 to 28-7425219 inclusive, PA-28-180 with 28-7405001 to 28-7405090 inclusive, PA28R-200 with serial numbers 28R-7435001 to 28R-7435166 inclusive and PA-28-235 with serial numbers 28-7410001 to 28-7410055 inclusive.</p> <p>E- Reference latest revision to Service Letter 738A. Used in PA-28-140 Cherokee Cruiser with serial numbers 28-7425001 to 28-7425444 inclusive, 28-7535001 to 28-7525118 inclusive, PA-28-180 Cherokee Archer with serial numbers 28-7405001 to 28-7405280 inclusive, 28-7505001 to 28-7505097 inclusive, PA-28-235 Cherokee Pathfinder with serial numbers 28-7410001 to 28-7410110 inclusive, 28-751001 to 28-7510031 inclusive, and PA-28R-200 Cherokee Arrow II with serial numbers 28-7435001 to 28-7435323 inclusive and 28-7535001 to 28-7535094 inclusive.</p> <p>F- Reference latest revision to Service Letter 813 on vertically adjustable seat refinement using Kit No. 761-103. Used in PA-28-140 Cherokee Cruiser with serial numbers 28-7425061 to 28-7725170 inclusive, PA-28-180 Cherokee Archer with serial numbers 28-7405035 to 28-7505261 inclusive, PA-28R-200 Cherokee Arrow II with serial numbers 28R-7435035 to 28R-7635312 inclusive and PA-28-235 Cherokee Pathfinder with serial numbers 28R-7410027 to 28-7710009.</p>		

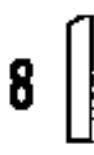
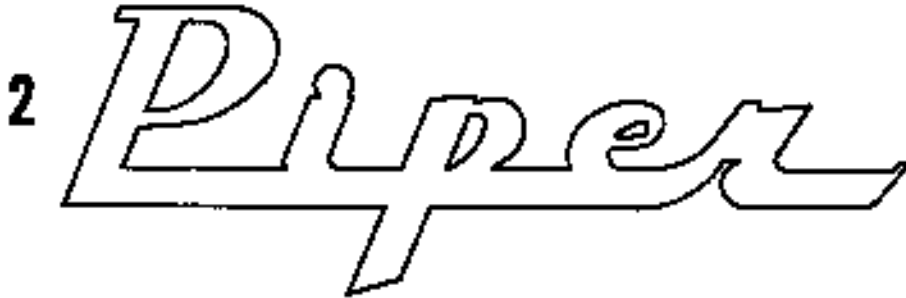
When ordering, always specify Part Number, Description, and Serial Number of Aircraft

**PIPER PARTS CATALOG**

Figure and Index Number	Part Number	Code	NOMENCLATURE	No. Req.	SERIAL NUMBERS AFFECTED
			OPTIONAL EQUIPMENT KITS (cont.)		
	763 890	A	FORWARD FACING SEAT BACK MODIFICATION		
	767 310	B	ALTERNATOR DRIVE BELT CONVERSION INSTALLATION		
	765-382	C	AFT SHOULDER HARNESS KIT		
	765 383	D	AFT SHOULDER HARNESS KIT		
	764 377	E	NOSE LANDING GEAR MODIFICATION		
	765 106	F	INSPECTION ACCESS HOLE		
	460-939	G	LANDING GEAR WARNING HORN FLASHER REPLACEMENT		
		A-	Reference latest revision to Service Letter 861. Used on PA-28-140 aircraft with serial numbers 28-7325001 to 28-7725290 inclusive, PA-28-180 with serial numbers 28-7305001 to 28-7505259 inclusive, PA-28R-200 with serial numbers 28R-7235001 to 28R-7635545 inclusive and PA-28-235 with serial numbers 28-7310001 to 28-7710089 inclusive.		
		B-	Reference latest revision to Service Letter. Used on PA28-180 and PA-28R-200 aircraft with serial numbers 28-7205092 and up and 28-7690001-2890205. Kit is for aircraft equipped with optional factory-installed air conditioning.		
		C-	Used in PA-28 series aircraft manufactured between 1961 and 1972 without a third window installed, specifically in PA-28-140 with serial numbers 28-20000 to 28-7125641 inclusive, PA-28-150/160 with serial numbers 28-01 to 28-4377, PA-28-180 with serial numbers 28-671 to 28-4377 inclusive and PA-28-235 with serial numbers 28-10001 to 28-11039 inclusive.		
		D-	This kit applies to aircraft with third window installed. Used in PA-28-180 aircraft with serial numbers 28-4378 thru 28-5859 inclusive, 28-7105001 thru 28-7105234 inclusive, PA-28-235 aircraft with serial numbers 28-11040 thru 28-11378 inclusive, 28-7110001 thru 28-7110028 inclusive, PA-28R-180 with serial numbers 28R-30004 thru 28R-31270 inclusive, 28R-7130001 thru 28R-7130013 inclusive and PA-28R-200 with serial numbers 28R-35001 thru 28R-35820 inclusive and 28R-7135001 thru 28R-7135229 inclusive.		
		E-	Used in PA-28R-200 aircraft with serial numbers 28R-35001 to 28R-7635545 and PA-28R-180 aircraft with serial numbers 28R-30004 to 28R-7130013.		
		F-	For PA--28R-180 aircraft with serial numbers 28R-30004 thru 28R-7130013 inclusive and PA-28R-200 aircraft with serial numbers 28R-35001 thru 28R-7335264 inclusive.		
		G-	Used in PA-28R-180 and PA-28R-200 aircraft only.		

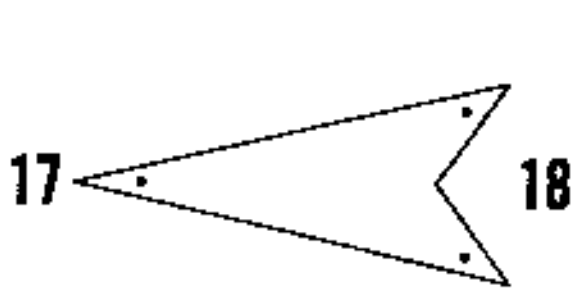
When ordering, always specify Part Number, Description, and Serial Number of Aircraft

PIPER PARTS CATALOG



- 1. 63934-00 MEDALLION - "Cherokee"
- 2. 21940-02 PLACARD - "Piper"
- 3. 22859-00 STENCIL - "Piper"
- 4. 66929-00 STENCIL - "Piper"
- 5. 63986-00 LETTER - "B"
- 6. 63968-03 LETTER - "C"
- 7. 63968-11 LETTER - "D"
- 8. 63968-04 NUMERAL - "1"

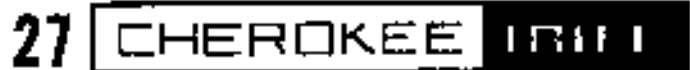
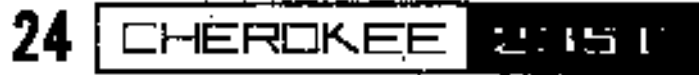
- 9. 22418-02 NUMERAL - "2"
- 10. 22773-01 NUMERAL - "3"
- 11. 63968-12 NUMERAL - "4"
- 12. 63968-06 NUMERAL - "5"
- 13. 63968-01 NUMERAL - "6"
- 14. 63968-07 NUMERAL - "8"
- 15. 63968-08 NUMERAL - "0"



- 16. 87194-00 MEDALLION - Arrow
- 17. 87195-00 MEDALLION - Arrowhead
- 18. 88743-00 NAMEPLATE - Cherokee 140B
- 19. 88938-00 NAMEPLATE - Cherokee 140C

- 20. 99442-00 NAMEPLATE - Cherokee 140D
- 21. 88708-00 NAMEPLATE - Cherokee 140E
- 22. 99969-00 NAMEPLATE - Cherokee 140

PIPER PARTS CATALOG



23. 88943-00 NAMEPLATE - Cherokee 235D  
24. 99444-00 NAMEPLATE - Cherokee 235E  
25. 99708-00 NAMEPLATE - Cherokee 236F  
26. 88939-00 NAMEPLATE - Cherokee 180E

27. 88443-00 NAMEPLATE - Cherokee 180F  
28. 99707-00 NAMEPLATE - Cherokee 180G  
29. 88941-00 NAMEPLATE - Cherokee Arrow 180  
30. 88376-02 LETTER "B" - Cherokee Arrow 180 Nameplate

31 **CHEROKEE ARROW 200**

32 **CHEROKEE ARROW 200B**

33 **CHEROKEE ARROW II**

34 **CHEROKEE Arrow II**

35 **cherokee ARROW**

36 **CHEROKEE**

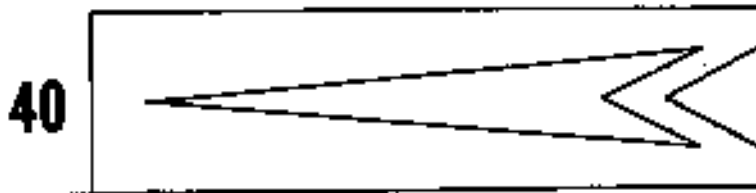
37 **CHEROKEE**

38 **200**

39 **200**

- 31. 87819-00 NAMEPLATE - Cherokee Arrow 200
- 32. 88376-00 NAMEPLATE - Cherokee Arrow 200B
- 33. 78108-00 NAMEPLATE - Cherokee Arrow II
- 34. 78251-00 NAMEPLATE - Arrow II
- 35. 78486-00 NAMEPLATE - Cherokee Arrow (White)
- 78481-02 NAMEPLATE - Cherokee Arrow (Black)

- 36. 89612-00 NAMEPLATE - Cherokee, left
- 37. 99612-02 NAMEPLATE - Cherokee, right
- 38. 87820-00 STENCIL - "200" (Left)
- 39. 87820-01 STENCIL - "200" (Right)



- 40. 87821-00 STENCIL - Arrowhead
- 41. 99832-00 NAMEPLATE - Cruiser
- 42. 79006-00 NAMEPLATE - Cruiser
- 43. 79397-00 NAMEPLATE - Cruiser (White)
- 78294-02 NAMEPLATE - Cruiser (Black)
- 44. 78260-00 NAMEPLATE - Challenger

- 45. 78262-00 NAMEPLATE - Charger
- 46. 76487-03 NAMEPLATE - Pathfinder (White)
- 76480-02 NAMEPLATE - Pathfinder (Black)
- 47. 76449-00 NAMEPLATE - Archer (White)
- 78448-02 NAMEPLATE - Archer (Black)





48. 88711-00 STENCIL - Piper Air  
 49. 55728-00 NAMEPLATE - Piper Air  
 50. 79315-00 PLACARD - Piper Air

51. 98813-00 NAMEPLATE - Flite Liner  
 52. 48825-00 MEDALLION - Piper Logo  
 53. 78888-00 DECAL - Piper

---

**PIPER PARTS CATALOG**

THRU

3K20 THRU 4A3  
INTENTIONALLY LEFT BLANK

## PIPER PARTS CATALOG

Part Number	Figure and Index No.	Part Number	Figure and Index No.	Part Number	Figure and Index No.	Part Number	Figure and Index No.
SKVB-244V	52-105	14634-00	24-46	18457-00	2-5	21154-03	30 47
10430-00	60-12	14635-02	24-23	18467-00	16-8	21154-04	24-50
11122-00V	73B-6	14635-03	24-47	18622-00	56-16	21154-04	30-47
11199-00	16-19	14843-16	38-15	18622-00	57-8	21156-00	24-61
11199-00	16-32	14843-51	28-7	18622-00	57A-9	21156-00	30-48
11199-03	87-19	14843-51	28A-35	18622-00	58-86	21156-00	31-33
11199-08	16-32	14843-70	24-98	18622-00	66-75	21162-00	24-56
11199-08	67-20	14843-90	24-32	18835-12V	28-20a	21162-00	30-49
11199-08	88-27	14976-11	35-19	18838-04V	28-33a	21162-00	31-34
11199-08	89-14	14976-15	34-64	18875-06	16-6	21172-02	24-26
11200-00	77-18	14976-16	34-23	19011-00	45-4	21176-00	24-36
11200-00	77-80	14990-00	87-26	19063-02	24-2	21208-00	24-37
11473-40	33-40	14994-00	87-21	19063-02	24-17	21209-00	24-38
11692-05	77-19	15086-00	27-70	19063-02	24A-2	21212-02	24-48
12599-03	45-7	15086-00	27A-67	19336-00	28A-11	21213-00	24-49
12605-00	45-3	15152-00	45-8	19336-00	28A-20	21214-00	24-50
12693-04	56-38	15206-02	33A-9	19336-00	28B-11	21227-00	52-49
12693-04	57-46	16444-00	67-1	19336-00	28C-35	21230-00	53-75
12693-04	66-91	16599-00V	66-75	19336-01	28A-11	21230-00	55-14
12723-00	64-4	17442-00	77-20	19336-01	28A-20	21257-03	24-58
12761-02	13-47	17555-00	73B-16	19336-01	28B-11	21257-03	30-50
12761-02	24-4b	17766-06	51-4	19336-01	28C-35	21257-04	24-58
12761-02	68-1	17766-06	52-4	19365-02	28A-13	21257-04	30-50
12809-00	64-25	17766-06	53-53	19365-02	28A-22	21407-00	24-65b
12813-00	64-7	17766-06	55-11	19365-02	28B-9	21407-00	30-66
13020-00	37-59	17803-00	52-5	19365-02	28C-37	21407-00	31-55
13071-00	33-39	17870-06	25-41	19392-15	28A-12	21409-00V	24-66
13074-02	33A-2	17871-08	25 42	19392-15	28A-21	21409-00V	30-63
13074-03	33A-4	18063-00	24-117	19392-15	28B-8	21409-00V	31-52
13089-00	33-38	18078-00	51-6	19513-10	38-49	21457-00	20-18
13090-00	33-37	18078-00	52-6	19561-00	87-2	21474-00	24-41
13291-00V	33-36	18078-00	53-73	19562-00	87-25	21475-00	24-42
13476-00V	30-39	18078-00	55-12	19563-00	87-1	21476-02	24-43
13476-00V	31-12	18132-00	59-51	19807-00	68-10	21572-00	30-6
13478-00	30-41	18132-02	59-51	19927-03	25-46	21572-00	31-17
13478-00	31-14	18219-00	59-57	20589-00	16-3	21573-00	30-7
13483-00	30-40	18219-02	57B-32	20596-00	16-1	21574-00	30-17
13483-00	31-13	18219-02	57C-42	20743-00	24-18	21574-00	31-19
13586-80V	10-36	18219-02	59-57	20747-00	24-19	21710-00	35-29
13945-40	22-29	18219-02	67-3	20754-02	39-2	21712-02	35-17
13945-40	22A-13	18219-02	67A-50	20781-00	35-44	21741-00V	12-31
13950-00	16-7	18290-00	45-1	20784-00	35-14	21785-02	24-44
14153-00	45-9	18307-00	52-7	20784-00	39-19	21785-03	24-44
14175-103	38-29	18321-00	51-8	20868-00	28-8	21822-00	38-36
14205-00	18-25	18321-00	52-8	20868-00	28A-32	21831-04	35-31
14235-00	60-14	18321-00	53-79	20868-00	29-14	21843-00	24-34
14235-08	66-51	18321-00	54-27	20886-00	20-17	21844-00	24-35
14311-39	56-55	18321-00	55-13	20908-00	77-22	21878-00	68-21
14311-39	57-27	18321-00	56-42	21008-00	45-5	21881-00	24-45
14314-02	69-18	18321-00	57-39	21027-00	22-26	22103-03V	57B-47
14422-00	56-2	18321-00	57-45	21027-00	22A-14	22104-04	57A-39
14470-00	51-3	18321-00	57B-33	21028-00	45-10	22105-03	31A-55
14470-00	52-3	18321-00	57C-46	21029-00	45-6	22105-03	31B-11
14470-00	53-72	18321-00	66-99	21030-00	45-2	22105-03	32-14
14493-00	20-12	18321-00	67-6	21051-00	45-13	22105-10	54-31
14627-03	24-21	18321-00	68-5	21154-03	24-60	22105-10	58-36

REVISED: JUNE 10, 2009

## PIPER PARTS CATALOG

Part Number	Figure and Index No.	Part Number	Figure and Index No.	Part Number	Figure and Index No.	Part Number	Figure and Index No.
22287-00	31A-44	27244-00V	28B-24	35669-105V	93B-13	38149-05V	70-44
22287-00	31B-31	27245-00V	28B-25	35669-105V	93C-12	38226-00V	17-36
22287-00	32-40	31197-00	51-69	35669-132V	93C-11	38255-02V	68-68
22287-00	57B-42	31197-00	52-69	35669-154V	97-4	38261-02V	34-25
22287-00	59-56	31197-00	53-70	35672-02V	96-13	38995-2	84-1
22287-03	76-55	31197-00	55-65	35725-02V	2-6	38996-2	84-1b
22287-03	84-12	31747-00	32-12	35789-02V	51-29	38998-3	84-6
22482-00	10-33	31747-00	57B-24	35789-02V	52-29	41001-10V	74-11
22482-00	15-45	31747-00	57B-27	35789-02V	54-59	41001-10V	75-11
22514-00	18-6	31747-00	57C-37	35827-02V	58-6	41001-11V	75-12
22633-02	67-5	31747-00	57C-44	36511-02V	31A-5	42891-00	30-55
23107-00	52-105	31747-00	59-32a	36511-02V	32-2	42891-00	77-23
23107-00	66-3	31747-00	59-35	36511-03V	31A-5	44386-03V	35-18
23319-00V	54-34	31747-00	67-4	36511-03V	32-2	50111-00	28-23
23809-04	58-67	31747-00	67A-29	36535-02V	18-2	50111-00	28A-9
23809-05	58-23	32380-00	28A-14	36535-02V	19-2	50111-00	28B-7
23809-06	58-24a	32380-00	28A-23	36535-02V	19A-2	50111-00	76-15
23809-07V	58-66	32380-00	28B-10	36535-02V	19B-2	52586-02	86A-1
23969-02	68-13	32380-00	28C-40	36558-06V	31A-10	61402-93V	34-21
23969-02	73B-21	32658-02	17-64	36558-07V	31A-10	61413-03	66-12
23969-02	93-26	35158-02	33-37	36558-07V	31B-5	61879-02	56-37
23969-03	68-14	35201-00V	73B-25	36588-04V	26-108	61879-02	57-7
23969-05	73B-22	35202-00V	73B-24	36588-04V	27-113	61879-02	57A-8
24047-00	57C-7	35208-00V	69A-7	36588-04V	27A-102	61879-02	58-81
24047-00	59-7	35208-00V	70-7	36589-02V	27-19	61879-02	66-1
24047-00	67A-7	35209-00V	70-3	36589-02V	27A-28	62002-02V	50-48
24048-00	57B-5	35212-00V	70-10	36589-03V	27-19	62002-03V	50-49
24048-00	57C-8	35214-00V	68-76	36625-02V	51-79	62016-02V	49-2
24048-00	59-8	35261-00V	69A-6	36625-02V	52-79	62016-03V	49-2
24048-00	67A-8	35262-02V	33-48	36625-02V	53-104	62016-05V	49-3
24123-00	57B-50	35270-00V	33-9	36625-02V	54-75	62016-06V	49-3
24123-00	59-41	35270-00V	34-77	36625-02V	55-98	62016-07V	49-4
24123-00	67A-28	35281-00V	33-19	36625-03V	51-79	62016-08V	49-5
24357-00	57B-18a	35281-00V	34-78	36625-03V	52-79	62016-09V	49-6
24357-00	59-24b	35282-04V	33-18	36625-03V	53-104	62016-10V	49-7
24357-00	67A-15	35282-04V	34-79	36625-03V	54-75	62017-00V	49-8
24358-00	57B-6a	35283-00V	33-17	36625-03V	55-98	62018-00V	49-9
24358-00	59-9a	35283-00V	34-80	36692-02V	58-27	62019-00V	80-3
24358-00	67A-14	35284-02V	33-14	36856-02V	28C-20	62019-03V	80-3
24582-00	58-22	35284-02V	34-81	36857-02V	28C-21	62019-03V	81-6
24582-00	58-68	35402-00V	76-20	36858-02V	28C-42	62021-00V	3-3
24995-00V	58-10	35432-00V	33-19	37693-04V	96-1	62021-01V	3-3
25006-06	66-3	35433-00V	33-14	37694-02V	96-2	62022-02V	3-4
26653-00V	28B-16	35644-902V	37-20	37722-02V	42-10	62022-03V	3-4
26749-07	18-2	35644-903V	37-20	37722-03V	42-12a	62023-00V	3-22
26749-07	19-2	35655-02V	60-2a	37732-00V	39-13	62023-01V	3-22
26749-07	19A-2	35656-02V	60-2b	37848-02V	28C-26	62024-00V	3-23
26749-07	19B-2	35664-02V	2-45	37902-02V	28C-13	62024-00V	3-24
26824-00V	28B-3a	35669-04V	33-51	37902-05V	28C-53	62024-00V	3-32
26824-01V	28B-3a	35669-05V	33-52	37902-06V	28C-13	62024-01V	3-23
26952-00V	28B-18	35669-05V	34-52	37902-08V	28C-11	62024-01V	3-24
26953-00V	28B-23	35669-08V	34-85	37915-02V	27A-72	62024-01V	3-32
26965-00V	28B-19	35669-10V	33-51	37970-02V	34-75	62024-02V	3-25
26965-02V	28B-20	35669-14V	17-72	37997-02V	32B-5	62024-03V	3-25
26966-00V	28B-22	35669-28V	17-8a	37997-02V	32E-11	62033-00V	51-76
27018-00V	28B-15	35669-105V	93A-19	38149-03V	68-77	62033-00V	52-76

## PIPER PARTS CATALOG

Part Number	Figure and Index No.	Part Number	Figure and Index No.	Part Number	Figure and Index No.	Part Number	Figure and Index No.
62033-00V	53101	62070-00V	4-22	62129-07V	5-32	62230-00V	60-3
62033-00V	54-72	62070-01V	4-22	62129-08V	4-3	62231-00V	60-4
62033-00V	55-95	62070-06V	4-23	62129-08V	5-32	62232-00V	60-5
62037-00V	51-124	62070-07V	4-23	62142-00V	52-81	62233-00V	62-8
62037-00V	52-83	62070-08V	4-22	62145-00V	89-17	62234-00V	62-9
62044-00V	51-82	62070-09V	4-22	62146-00V	88-15	62237-00V	12-19
62044-00V	53-109	62071-00V	4-25	62146-01V	88-15	62238-00V	91-3
62044-00V	54-81	62071-00V	5-26	62147-02V	16-50	62238-00V	93-3
62044-00V	55-104	62071-01V	4-25	62147-03V	88-16	62238-11V	93-3
62045-05V	52-80	62071-01V	5-26	62149-00V	19-29	62239-00V	91-14
62047-06V	4-8	62071-04V	4-25	62150-00V	49-30	62239-00V	93-15
62047-07V	4-8	62071-05V	4-25	62153-00V	10-32	62241-00V	92-18
62049-00V	3-26	62072-00V	4-24	62154-00V	10-7	62242-00V	92-19
62049-01V	3-26	62072-00V	5-27	62161-00V	88-17	62243-00V	20-21
62053-00V	4-15	62072-01V	4-24	62163-00V	88-2	62244-00V	20-22
62053-00V	5-18	62072-01V	5-27	62170-00V	88-1	62245-07V	49-33
62053-01V	4-15	62074-00V	4-27	62171-00V	30-62	62258-00V	14-13
62053-01V	5-18	62074-00V	5-29	62171-00V	31-11	62258-02V	14-13
62054-00V	4-16	62074-01V	4-27	62171-00V	57-59	62259-00V	26-32
62054-00V	5-19	62074-01V	5-29	62177-04V	17-14	62261-00V	14-14
62054-01V	4-16	62079-00V	4-26	62177-05V	17-14	62262-00V	14-15
62054-01V	5-19	62082-00V	3-20	62177-19V	17-14	62263-00V	14-6a
62055-00V	4-17	62082-01V	3-20	62177-08V	17-14	62263-02V	14-6a
62055-00V	5-20	62083-00V	3-21	62177-10V	17-14	62263-03V	14-6a
62057-00V	4-19	62083-01V	3-21	62178-00V	30-31	62264-00V	26-35
62057-00V	5-22	62083-06V	3-21	62178-00V	31-8	62265-00V	26-36
62058-00V	4-20	62083-08V	3-21	62178-00V	31A-11	62265-02V	26-43
62058-00V	5-23	62084-00V	3-5	62178-00V	31B-12	62267-03V	26-43
62058-01V	4-20	62086-00V	3-8	62179-00V	64-8	62268-00V	13-55
62058-01V	5-23	62086-01V	3-8	62180-00V	64-9	62268-02V	13-55
62059-00V	51-81	62087-00V	3-9	62183-00V	30-25	62269-02V	26-37
62059-00V	54-80	62090-00V	2-16	62183-00V	31B-4	62269-02V	26-62
62059-00V	55-108	62090-01V	2-16	62198-02V	16-50	62269-04V	26-62
62060-00V	51-73	62090-20V	2-17	62198-03V	88-16	62269-05V	26-37
62060-00V	52-75	62090-21V	2-17	62205-02V	25-5	62269-06V	26-38
62060-00V	53-107	62090-22V	2-18	62205-03V	25-5	62269-09V	26-37
62060-00V	54-74	62090-23V	2-18	62205-04V	25-5	62269-10V	26-62
62060-00V	55-101	62091-00V	3-15	62208-02V	60-10	62269-11V	26-37
62060-01V	51-73	62091-00V	3-27	62208-04V	60-9	62269-12V	26-62
62060-01V	52-75	62102-00V	4-32	62208-05V	60-9	62271-00V	25-42
62060-01V	53-107	62102-01V	4-32	62214-00V	51-23	62272-00V	26-39
62060-01V	54-74	62105-00V	4-21	62214-00V	52-23	62276-00V	30-39
62060-01V	55-101	62105-00V	5-24	62215-00V	51-110	62276-00V	31-12
62060-04V	51-73	62109-00V	2-28	62215-00V	52-113	62277-40V	8-39
62060-04V	52-75	62115-02V	3-33	62216-00V	64-16	62277-00V	13-61
62060-04V	53-107	62115-03V	3-33	62217-00V	64-14	62277-00V	14-1
62060-04V	54-74	62119-00V	51-9	62217-03V	64-14	62277-02V	8-39
62060-04V	55-101	62119-00V	52-9	62219-00V	51-114	62277-02V	13-61
62060-05V	51-73	62119-01V	51-9	62219-00V	52-21	62277-02V	14-1
62060-05V	52-75	62119-01V	52-9	62219-00V	53-26	62277-03V	8-39
62060-05V	53-107	62121-00V	2-31	62221-00V	13-3	62277-03V	13-61
62060-05V	54-74	62129-03V	4-2	62226-00V	72-1	62277-03V	14-1
62060-05V	55-101	62129-03V	5-31	62226-00	73-1	62278-02V	26-58
62061-02V	3-17	62129-04V	4-2	62227-00	72-2	62278-03V	26-59
62061-04V	4-35	62129-04V	5-3	62227-00	73-2	62278-04V	26-60
62066-00V	3-18	62129-07V	4-3	62228-00	72-3	62279-00V	73B-12

## PIPER PARTS CATALOG

Part Number	Figure and Index No.	Part Number	Figure and Index No.	Part Number	Figure and Index No.	Part Number	Figure and Index No.
62280-00V	88-18	62306-00V	51-36	62334-00V	7-14	62383-03V	62-11
62282-02V	26-1	62306-00V	53-61	62335-00V	7-15	62383-03V	63-8
62282-03V	26-1	62306-00V	54-2	62336-00V	7-16	62387-00V	62-10
62282-06V	26-1	62307-00V	51-38	62336-08V	7-16	62387-07V	62-10
62285-00V	8-1	62307-00V	53-62	62342-00	72-4	62391-00V	16-40
62285-05V	8-6	62307-03V	53-62	62346-00V	67-21	62393-00V	62-5
62289-02V	26-2	62308-00V	51-37	62347-00V	6722	62396-00V	62-2
62289-03V	26-2	62308-00V	53-63	62352-00V	56-4	62400-02V	24-114
62289-04V	26-2	62309-00V	51-15	62353-04V	25-16	62400-02V	24A-55
62289-05V	26-2	62309-00V	53-65	62353-04V	26-68	62403-00V	69-3
62292-02V	24-69	62314-00V	8-26	62353-04V	27-55	62406-00V	8-23
62292-03V	24-69	62314-00V	13-1	62353-04V	27A-55	62407-00V	16-54
62292-04V	24-69	62314-02V	8-29	62353-05V	26-68	62410-00V	12-33
62292-05V	24-69	62314-03V	8-26	62353-05V	27-55	62410-01V	12-33
62292-06V	24-69	62314-03V	13-1	62353-05V	27A-55	62411-00V	14-7
62292-07V	24-69	62314-06V	8-26	62355-02V	72-13	62411-02V	14-7
62293-02V	26-3	62314-06V	13-1	62355-02	73-4	62412-00V	12-32
62293-03V	26-3	62314-07V	8-26	62355-03	72-14	62412-02V	12-32
62293-04V	26-3	62314-07V	13-1	62355-06V	73-15	62413-00V	15-40
62293-05V	26-3	62314-08V	8-26	62356-02V	16-37	62413-01V	15-40
62293-06V	26-3	62314-08V	13-1	62356-03V	16-38	62414-00V	15-43
62293-07V	26-3	62315-00V	8-26	62356-04V	16-38	62414-01V	15-43
62294-02V	26-4	62315-00V	13-1	62357-02V	16-45	62416-00V	12-29
62294-03V	26-4	62315-02V	8-29	62357-03V	16-45	62419-00V	8-1
62294-04V	26-4	62315-03V	8-27	62358-00V	16-3	62419-02V	8-7
62294-05V	26-4	62317-00V	20-29	62359-00V	16-44	62419-03V	8-3
62294-06V	26-4	62319-00V	10-2	62360-00V	2-13	62419-04V	8-4
62294-07V	26-4	62319-03V	10-2	62360-00V	6-1	62419-07V	8-10
62295-02V	26-5	62320-00V	2-12	62360-01V	2-13	62419-08V	8-11
62295-03V	26-5	62320-00V	7-1	62360-01V	6-1	62419-09V	8-6
62295-04V	26-5	62320-02V	2-12	62361-00V	6-2	62419-10V	8-4
62295-05V	26-5	62320-02V	7-1	62361-00V	6-2	62419-11V	12-72
62295-06V	26-5	62320-03V	7-17	62361-01V	6-2	62419-16V	8-10
62295-07V	26-5	62320-04V	7-18	62365-00V	6-8	62419-17V	8-1
62295-08V	26-5	62321-00V	7-2	62365-01V	6-8	62419-18V	8-6
62295-09V	26-5	62321-01V	7-2	62366-00V	6-9	62419-20V	8-6
62295-10V	26-5	62322-00V	7-3	62366-01V	6-9	62419-21V	8-1
62295-11V	26-5	62322-02V	7-3	62367-00V	6-6	62420-00V	8-12
62296-02V	26-6	62323-00V	7-5	62371-08V	4-33	62420-03V	8-25
62296-03V	26-6	62324-00V	7-4	62371-08V	5-37	62420-04V	8-23a
62296-04V	26-6	62324-01V	7-4	62371-08V	49-38	62420-05V	8-23a
62296-05V	26-6	62327-00V	7-6	62372-00V	6-4	62420-08V	12-27
62296-06V	26-6	62328-00V	7-7	62372-01V	6-3	62420-09V	8-13
62296-07V	26-6	62328-00V	7-8	62373-00V	6-5	62420-10V	12-27
62296-08V	26-6	62328-01V	7-7	62373-01V	6-5	62420-11V	8-14
62296-09V	26-6	62328-01V	7-8	62375-03V	8-23a	62420-11V	9-21
62296-10V	26-6	62329-00V	7-9	62375-04V	8-23a	62420-12V	12-4
62296-11V	26-6	62330-00V	7-10	62375-05V	8-12	62420-13V	12-3
62297-00V	33-24	62330-01V	7-10	62375-06V	8-21	62420-14V	8-21
62297-00V	57-1	62331-00V	7-11	62375-06V	10-1	62420-14V	10-1
62297-00V	57A-2	62331-01V	7-11	62375-07V	8-23a	62420-15V	8-24
62301-03V	53-4	62332-00V	7-9	62375-10V	8-12	62420-15V	12-1
62302-03V	53-27	62332-00V	7-12	62375-11V	8-21	62420-16V	12-2
62303-00V	53-6	62332-02V	7-9	62375-11V	10-1	62420-21V	8-21
62305-00V	53-60	62333-00V	7-13	62378-00V	16-1	62420-21V	10-1
62305-00V	54-1	62333-01V	7-13	62383-00V	62-11	62420-22V	8-15

## PIPER PARTS CATALOG

Part Number	Figure and Index No.	Part Number	Figure and Index No.	Part Number	Figure and Index No.	Part Number	Figure and Index No.
62420-22V	9-11	62464-00V	15-27	62510-00V	12-50	62553-00V	13-27
62420-23V	12-27	62465-00V	15-28	62511-00V	12-12	62553-02V	13-27
62420-24V	12-27	62471-00V	15-29	62511-02V	12-9	62554-00V	13-5
62420-25V	12-27	62472-00V	10-14	62512-00V	12-2	62554-00V	13-10
62420-26V	12-27	62473-00V	10-15	62517-00V	11-26	62557-04V	28-13
62421-00V	13-40	62473-00V	11-18	62518-00V	12-20	62557-04V	28A-44
62421-01V	13-40	62473-02V	10-15	62518-02V	12-21	62558-00V	13-9
62422-00V	8-26	62473-02V	11-18	62518-03V	12-21	62558-01V	13-9
62422-00V	13-1	62474-00V	12-35	62518-14V	12-21	62559-00V	13-28
62422-02V	8-27	62475-00V	12-44	62518-15V	12-21	62563-00V	14-9
62422-04V	8-29	62475-01V	12-44	62518-16V	12-20	62563-01V	14-9
62422-09V	13-2	62476-00V	12-37	62518-17V	12-20	62563-02V	14-9
62422-10V	13-6	62476-01V	12-37	62519-00V	13-13	62567-00V	14-10
62422-11V	13-6	62477-00V	12-36	62521-09V	10-11	62567-01V	14-10
62422-12V	8-28	62477-01V	12-36	62521-14V	10-7	62568-00V	14-17
62422-13V	8-29	62479-00V	12-5	62521-15V	10-12	62569-00V	14-18
62422-14V	8-26	62479-02V	12-5	62522-00V	10-21	62570-00V	14-11
62422-14V	13-1	62480-00V	12-16	62522-00V	11-23	62571-00V	12-73
62423-00V	12-40	62480-01V	12-16	62524-00V	13-8	62576-00V	13-23
62425-00V	11-13	62480-02V	12-16	62524-01V	13-8	62576-00V	13-23a
62425-00V	10-13	62480-03V	12-16	62525-00V	13-14	62577-00V	82-10
62425-01V	10-32	62480-04V	12-16	62525-01V	13-14	62578-00V	82-12
62425-01V	11-32	62480-05V	12-16	62526-00V	13-15	62579-00V	82-9
62426-00V	12-6	62481-00V	12-18	62526-01V	13-15	62580-00V	82-11
62426-03V	12-6	62483-02V	12-66	62526-02V	13-15	62581-00V	13-19
62426-05V	12-6	62485-00V	10-16	62527-00V	13-3	62581-01V	13-19
62426-06V	12-6	62485-00V	11-19	62523-00V	13-7	62581-02V	13-19
62427-00V	12-7	62485-01V	10-16	62528-01V	13-7	62583-00V	13-34
62427-01V	12-7	62485-01V	11-19	62529-00V	14-19	62583-01V	13-34
62427-02V	12-7	62490-00V	8-16	62530-00V	14-6	62584-00V	13-35
62428-00V	13-31a	62490-00V	9-22	62531-00V	14-5	62585-00V	13-36
62428-01V	13-31a	62491-00V	8-17	62534-00V	14-4	62596-00V	13-41
62429-00V	12-8	62491-00V	9-22	62535-00V	14-2	62596-01V	13-41
62430-00V	12-34	62492-00V	12-51	62536-04V	13-32	62596-02V	13-41
62435-00V	10-4	62493-00V	8-20	62536-05V	13-32	62596-03V	13-41
62435-01V	10-4	62493-00V	9-13	62537-00V	14-3	62597-00V	13-66
62438-00V	10-3	62493-00V	12-52	62538-00V	8-32	62599-00V	13-64
62439-00V	10-5	62494-00V	12-13	62539-00V	13-25	62600-00V	13-65
62441-00V	13-12	62494-02V	12-10	62540-00V	13-26	62601-00V	13-42
62441-01V	13-12	62495-00V	12-14	62541-00V	8-30	62601-03V	13-42
62442-00V	15-7	62495-02V	12-11	62541-00V	9-32	62603-00V	13-43
62442-04V	15-7	62496-00V	12-3	62541-01V	8-30	62603-01V	13-43
62443-00V	15-12	62497-00V	12-4	62541-01V	9-32	62604-00V	13-44
62444-03V	15-14	62498-00V	10-17	62542-00V	13-16	62604-01V	13-44
62444-05V	15-14	62498-00V	11-20	62542-01V	13-16	62605-00V	13-45
62445-00V	15-19	62499-00V	10-18	62543-02V	13-4	62618-00V	14-20
62448-02V	14-8	62499-00V	11-20	62544-00V	13-11	62618-01V	14-20
62448-03V	14-8	62501-00V	12-56	62544-01V	13-11	62619-00V	14-21
62451-00V	15-20	62504-00V	12-47	62545-00V	13-30	62620-00V	13-4
62452-00V	15-21	62505-00V	12-39	62546-00V	13-31	62624-00V	91-1
62452-01V	15-21	62506-00V	11-25	62549-00V	8-33	62629-00V	50-17
62453-00V	15-17	62507-00V	8-23	62549-00V	9-29	62629-02V	50-18
62455-00V	15-22	62507-00V	9-16	62550-00V	13-33	62629-03V	50-19
62457-00V	15-23	62509-02V	12-38	62550-01V	13-33	62630-00V	15-10
62457-01V	15-23	62509-03V	12-38	62551-00V	13-18	62631-00V	12-63
62463-00V	15-26	62509-04V	12-38	62551-01V	13-18	62632-00V	12-64

## PIPER PARTS CATALOG

Part Number	Figure and Index No.	Part Number	Figure and Index No.	Part Number	Figure and Index No.	Part Number	Figure and Index No.
62633-00V	12-65	62686-00V	13-22	62701-45V	77-24a	62711-04V	78-52
62634-00V	12-61	62686-01V	13-22	62701-46V	49-56	62711-06V	78-7
62635-00V	12-60	62686-02V	13-22	62701-47V	77-24b	62711-07V	78-7a
62636-00V	12-62	62686-03V	13-22	62701-47V	78-1	62712-02V	76-34
62637-00V	12-59	62686-04V	13-22	62701-49V	49-56	62712-02V	80-6
62638-00V	12-46	62687-00V	13-24	62701-56V	78-12	62712-03V	74-14
62638-01V	12-46	62687-03V	13-24	62701-57V	85-2	62712-03V	75-21
62639-00V	12-45	62687-05V	13-24	62701-61V	75-8	62712-04V	80-6
62639-01V	12-45	62691-00V	8-19	62701-62V	75-7	62712-04V	81-12
62640-00V	12-49	62691-03V	8-19	62701-64V	75-6	62713-02V	76-33
62641-00V	12-49	62693-00V	8-18	62701-99V	74-2	62713-03V	74-16
62644-00V	12-58	62693-01V	8-18	62701-99V	75-1	62713-03V	75-17
62645-00V	15-38	62694-00V	25-44	62701-100V	74-6	62714-02V	74-19
62645-04V	15-38	62694-00V	26-9	62701-100V	75-5	62714-02V	78-9
62648-00V	10-42	62695-03V	14-6a	62701-101V	76-3	62714-03V	74-20
62649-00V	10-43	62695-04V	14-6a	62701-102V	75-8	62714-04V	57B-18b
62653-04V	10-19	62696-03V	15-24	62701-103V	75-7	62714-04V	59-24c
62653-04V	11-22	62698-00V	10-38	62701-104V	78-12	62714-04V	67A-13
62654-00V	28-38	62699-04V	10-39	62701-111V	85-2	62714-04V	78-10
62654-00V	28A-45	62701-02V	74-2	62701-113V	74-10	62714-05V	75-19
62654-02V	28A-45	62701-02V	75-1	62701-114V	74-11	62714-06V	75-19
62655-00V	28-39	62701-03V	74-3	62702-00V	15-25	62715-02V	74-29
62656-00V	12-55	62701-03V	75-2	62703-24V	80-4	62715-02V	74-30
62657-00V	24-1	62701-04V	74-4	62703-25V	80-3	62715-02V	75-16
62658-00V	15-8	62701-04V	75-3	62703-26V	80-4	62715-02V	75-20
62660-00V	8-39	62701-05V	74-5	62703-27V	80-3	62715-02V	78-8
62660-00V	9-33	62701-05V	75-4	62703-31V	80-4	62715-03V	74-29
62660-00V	13-61	62701-06V	74-6	62703-32V	80-3	62715-04V	75-15
62660-00V	14-1	62701-06V	75-5	62703-33V	80-4	62715-05V	75-15
62660-06V	8-40	62701-07V	74-7	62703-33V	81-7	62716-02V	80-18
62660-06V	9-36	62701-08V	74-8	62704-00V	82-1	62716-03V	80-18
62660-07V	14-3	62701-09V	74-9	62704-02V	82-1	62716-04V	80-18
62660-08V	14-2	62701-10V	74-10	62705-00V	76-1	62716-05V	80-18
62660-08V	14-4	62701-11V	74-11	62706-00V	76-5	62716-06V	30-18
62660-12V	8-39	62701-12V	74-12	62706-02V	76-5	62716-07V	80-18
62660-12V	9-33	62701-12V	75-9	62706-03V	76-5	62716-07V	81-18
62660-12V	13-61	62701-13V	74-13	62706-04V	76-5	62717-00V	82-2
62660-12V	14-1	62701-13V	75-10	62706-06V	76-5	62717-02V	82-2
62660-13V	8-40	62701-14V	76-31	62708-02V	77-25	62721-00V	82-4
62660-15V	9-33	62701-15V	77-24a	62709-00V	75-33	62721-02V	82-4
62660-15V	13-61	62701-16V	77-24	62709-00V	78-51	62722-00V	82-5
62660-15V	14-1	62701-17V	49-49	62710-02V	74-59	62723-00V	82-3
62660-16V	13-61	62701-18V	49-47	62710-02V	75-34	62723-02V	82-3
62660-16V	14-1	62701-19V	49-48	62710-02V	78-15	62725-00V	76-2
62662-00V	15-13	62701-20V	49-48	62710-03V	78-15	62727-00V	76-51
62663-00V	91-2	62701-21V	49-50	62711-02V	74-15	62727-01V	76-51
62664-00V	13-62a	62701-23V	49-51	62711-02V	75-14	62730-00V	76-50
62665-02V	15-9	62701-25V	49-52	62711-02V	76-32	62730-01V	76-50
62668-00V	13-29	62701-26V	49-52	62711-03V	74-28	62731-00V	76-9
62674-00V	10-20	62701-27V	49-53	62711-03V	74-28a	62732-00V	76-10
62674-01V	10-20	62701-28V	49-53	62711-03V	75-13	62732-02V	76-11
62674-01V	11-21	62701-29V	49-54	62711-03V	78-7	62733-00V	76-12
62674-03V	10-20	62701-31V	49-55	62711-03V	78-7a	62734-00V	76-13
62674-03V	11-21	62701-32V	77-24a	62711-04V	77-47	62734-02V	76-13
62676-00V	12-18	62701-34V	49-56	62711-04V	77-52	62736-00V	76-14
62677-00V	12-48	62701-44V	85-2	62711-04V	77-81	62737-00V	76-8



## PIPER PARTS CATALOG

Part Number	Figure and Index No.	Part Number	Figure and Index No.	Part Number	Figure and Index No.	Part Number	Figure and Index No.
62738-00V	76-6	62802-00V	77-37	62833-74V	71-29	62866-00V	82-6
62738-02V	76-6	62803-00V	77-38	62833-78V	28A-15a	62866-00V	83-8
62740-00V	76-7	62804-00V	77-39	62833-78V	28C-15	62867-02V	48-14
62743-02V	74-21	62805-00V	77-40	62833-82V	32A-10	62869-00V	10-9
62743-03V	74-22	62706-00V	77-41	62833-83V	32A-27	62870-00V	10-8
62743-03V	75-22	62807-00V	77-42	62833-85V	80-37	62871-00V	10-10
62743-03V	75-22a	62808-00V	77-43	62833-85V	81-27	62873-00V	8-12
62743-04V	74-23	62809-00V	77-46	62833-86V	80-37	62873-02V	8-24
62743-04V	74-67	62814-00V	77-2	62833-86V	81-27	62873-02V	9-19
62743-04V	75-23	62817-00V	15-16	62833-87V	34-62	62873-02V	12-1
62743-05V	74-24	62817-00V	77-79	62833-87V	34-73	62873-03V	12-2
62743-05V	75-24	62820-00V	76-27	62833-101V	32C-36	62873-05V	12-4
62743-06V	74-25	62821-00V	76-28	62833-101V	32C-37	62873-06V	12-3
62743-06V	75-25	62825-00V	80-8	62833-101V	33-53	62873-07V	8-12
62743-08V	78-11	62826-00V	25-1	62833-101V	33-55	62873-08V	9-19
62743-12V	75-26	62826-00V	26-7	62833-101V	57B-41	62873-08V	12-1
62743-13V	75-27	62826-02V	25-1	62833-101V	57B-56	62873-09V	8-24
62744-00V	82-16	62826-02V	26-7	62833-101V	57C-58	62873-09V	12-1
62745-00V	76-20	62827-07V	25-2	62833-101V	59-64	62873-10V	12-2
62746-00V	74-17	62827-07V	26-8	62833-103V	42-37	62873-11V	12-4
62746-00V	75-31	62829-00V	79-1	62833-103V	57C-58	62873-12V	12-3
62747-00V	77-29	62829-03V	79-1	62833-104V	31A-57	62873-13V	3-24
62748-00V	77-30	62829-05V	79-1	62833-104V	31B-36	62873-13V	12-1
62749-00V	77-31	62831-00V	79-8	62833-104V	32-50	62875-00V	13-20
62750-00V	77-32	62832-00V	79-9	62833-105V	24A-33	62878-00V	81-95
62752-00V	77-33	62832-02V	34-41	62833-107V	24A-41	62878-00V	82-105
62753-00V	15-15	62833-06V	24-84	62833-107V	24A-53	62878-00V	83-78
62753-00V	77-34	62833-06V	24A-44	62833-127V	79-15	62879-00V	88-24
62754-00V	77-35	62833-07V	56-52	62834-00V	80-19	62881-00V	10-7
62755-00V	77-36	62833-07V	57-57	62834-02V	80-19	62882-00V	8-1
62757-00V	77-3	62833-07V	66-104	62834-02V	81-19	62882-02V	8-6
62759-00V	77-4	62833-11V	55-123	62835-00V	79-10	62882-03V	8-1
62762-00V	74-18	62833-17V	82-15	62835-07V	79-10	62882-04V	8-6
62762-00V	75-32	62833-17V	83-14	62836-00V	79-11	62884-00V	8-1
62763-00V	13-39	62833-18V	78-48	62837-00V	79-12	62884-02V	8-6
62764-00V	76-21	62833-20V	24-100	62838-00V	79-2	62891-00V	25-4a
62764-02V	76-24	62833-21V	21-108	62839-00V	80-15	62892-03V	60-2
62766-00V	74-62	62833-21V	24A-39	62839-00V	81-14	62897-00V	16-41
62766-00V	75-43	62833-21V	24A-41	62840-02V	80-34	62900-07V	28-3a
62768-00V	74-31	62833-27V	37-29	62840-02V	81-30	62905-12V	28-4a
62769-00V	74-32	62833-29V	57A-51	62840-03V	80-34	62906-00V	28-3
62770-00V	74-69	62833-35V	32-6	62840-03V	81-30	62906-03V	28-3
62771-00V	74-61	62833-36V	55-120	62844-00V	77-21	62907-00V	28-4
62771-01V	74-61	62833-39V	24-115	62845-00V	80-14	62907-03V	28-4
62778-00V	80-13	62833-39V	24A-56	62845-02V	80-14	62914-00V	28-4a
62778-00V	81-15	62833-43V	34-73	62845-02V	81-13	62915-00V	28-43
62779-00V	80-10	62833-44V	38-5a	62848-00V	80-9	62916-00V	28-3a
62782-00V	80-12	62833-44V	38-9a	62848-02V	80-9	62919-00V	32B-18
62782-00V	81-24	62833-45V	35-13	62849-00V	80-17	62919-00V	68-18
62783-00V	80-21	62833-46V	57B-126	62852-00V	80-32	62920-00V	32B-19
62784-00V	80-11	62833-46V	57C-13	62856-00V	76-50	62920-00V	68-19
62784-00V	81-25	62833-46V	59-24	62856-01V	76-50	62921-00V	57-22
62788-00V	10-8	62833-46V	67A-19b	62858-02V	80-33	62921-00V	57A-15
62789-02V	76-3	62833-50V	57C-18	62858-02V	81-31	62922-03V	64-1
62800-00V	77-26	62833-50V	59-24e	62859-00V	14-29	62928-00V	53-56
62801-00V	77-27	62833-50V	67A-18	62866-00V	48-1	62928-00V	55-28

## PIPER PARTS CATALOG

Part Number	Figure and Index No.	Part Number	Figure and Index No.	Part Number	Figure and Index No.	Part Number	Figure and Index No.
62938-00V	57-9	62976-04V	30-56	63020-02V	24A-57	63068-11V	28-19
62938-00V	57A-10	62976-05V	30-56	63025-00V	24-65	63070-04V	22-3
62938-00V	58-34	62976-05V	31-36	63025-00V	30-64	63070-04V	22A-3
62938-41V	58-34	62978-00V	56-53	63025-00V	31-53	63070-04V	23-3
62940-00V	10-37	62978-00V	57-58	63026-00V	24-12	63070-04V	23A-3
62942-00V	16-46	62978-00V	66-103	63029-00V	24-69	63070-04V	23B-3
62942-00V	17-45	62980-00V	57-15	63033-02V	25-46	63070-05V	22-4
62943-00V	16-53	62980-00V	57A-28	63033-03V	25-46	63070-05V	22A-4
62943-00V	17-44	62980-00V	58-30	63033-04V	25-46	63070-05V	23-4
62943-00V	17-48	62981-06V	60-8	63034-00V	24-83	63070-05V	23A-4
62944-00V	16-47	62981-07V	60-8	63034-02V	24-83	63070-05V	23B-4
62944-00V	17-46	62983-00V	88-2	63035-00V	24-85	63070-06V	22-5
62945-00V	64-23	62984-00V	88-16	63036-00V	24-86	63070-06V	22A-3
62946-00V	64-24	62985-00V	57-11	63036-03V	24A-48	63070-06V	23-3
62952-00V	30-18	62985-00V	57A-11	63037-00V	12-41	63070-06V	23A-3
62952-00V	31-20	62985-00V	58-17	63038-00V	12-15	63070-06V	23B-3
62959-00V	30-5	62987-00V	57-12	63038-02V	12-15a	63070-07V	22-6
62959-00V	31-24	62987-00V	57A-12	63039-00V	24-94	63070-07V	22A-6
62960-00V	30-37	62988-00V	64-14	63039-00V	24-96	63070-07V	23-5
62960-00V	31-1	62988-02V	64-14	63039-00V	24A-40	63070-07V	23A-5
62960-00V	31A-1	62988-03V	64-14	63039-00V	24A-46	63070-07V	23B-5
62960-00V	31B-1	62988-04V	64-14	63039-02V	24-94	63070-11V	22-4
62960-01V	30-37	62989-00V	57-21	63039-04V	57B-6c	63070-11V	22A-4
62960-01V	31-1	62989-00V	57A-14	63039-04V	57C-14	63070-11V	23-4
62960-01V	31A-1	62989-02V	57-21	63039-04V	59-9c	63070-11V	23A-4
62960-01V	31B-1	62992-00V	57A-20	63039-04V	67A-14b	63070-11V	23B-4
62962-00V	30-34	62992-00V	58-27	63040-00V	12-42	63070-14V	22A-5
62962-00V	31-3	63000-28V	24-62	63041-00V	24-87	63070-15V	22-2
62962-00V	31A-51	63001-04V	24-63	63041-02V	24-88	63070-15V	22A-2
62962-00V	31B-33	63001-05V	24-64	63042-00V	24-89	63070-15V	23-2
62962-03V	31A-51	63006-00V	24-5	63042-00V	24A-47	63070-15V	23A-2
62964-00V	30-26	63006-06V	24-15	63042-02V	24-89	63070-15V	23B-2
62964-00V	31-4	63006-07V	24-11	63042-03V	24-89	63070-16V	22-1
62965-00V	30-23	63006-09V	24-5	63045-00V	24-90	63070-16V	22A-1
62965-04V	30-23	63006-10V	24-5	63045-00V	24A-45	63070-16V	23-1
62965-04V	31-22	63007-00V	24-67	63047-00V	24-62	63070-16V	23A-1
62965-04V	31A-23	63008-02V	24-68	73047-07V	24-62	63070-16V	23B-1
62965-04V	32-34	63008-02V	25-3	73047-12V	24-62	63070-29V	22-2
62968-00V	30-53	63008-02V	26-10	73047-13V	24-62	63070-29V	22A-2
62969-00V	30-54	63008-05V	24-68	73047-14V	24-62	63070-29V	23-2
62969-00V	31-5	63008-05V	25-3	63049-00V	12-17	63070-29V	23A-2
62969-00V	31A-9	63008-05V	26-10	63050-00V	24-63	63070-29V	23B-2
62969-00V	31B-6	63008-12V	24-68	63051-00V	24-64	63070-30V	22-1
62973-00V	30-59	63008-12V	26-10	63055-00V	24-5	63070-30V	22A-1
62973-02V	30-59	63008-13V	24-68	63055-03V	24-5	63070-30V	23-1
62973-03V	30-59	63008-13V	26-10	63055-04V	24-5	63070-30V	23A-1
62973-04V	30-59	63008-14V	24-68	63068-00V	28-19	63070-30V	23B-1
62973-05V	30-59	63008-14V	26-10	63068-02V	28-20	63070-41V	23A-2
62973-05V	31-39	63008-22V	24-68	63068-03V	28-33	63070-41V	23B-2
62974-00V	30-58	63008-22V	26-10	63068-04V	28-19	63070-42V	23A-1
62974-00V	31-38	63009-05V	24-69	63068-05V	28-20	63070-42V	23B-1
62975-00V	30-57	63009-18V	24-69	63068-06V	28-33	63070-43V	23A-3
62975-00V	31-37	63012-00V	24-39	63068-07V	28-33	63070-43V	23B-3
62976-00V	30-56	63014-02V	24-118	63068-08V	28-19	63070-44V	23A-3
62976-02V	30-56	63020-00	24-120	63068-09V	28-20	63070-44V	23B-3
62976-03V	30-56	63020-02V	24-120	63068-10V	28-33	63070-45V	23A-2

## PIPER PARTS CATALOG

Part Number	Figure and Index No.	Part Number	Figure and Index No.	Part Number	Figure and Index No.	Part Number	Figure and Index No.
63070-45V	23B-2	63097-00V	92-21	63116-33V	26-49	63116-71V	25-21
63070-46V	23A-1	63101-00V	68-22	63116-34V	25-22	63116-74V	25-21
63070-46V	23B-1	63104-03V	25-45	63116-34V	26-48	63116-75V	25-21
63071-02V	22-12	63106-02V	25-40	63116-35V	25-20	63116-75V	27-38
63071-02V	23-26	63106-07V	25-40	63116-35V	26-49	63116-75V	27A-21
63071-02V	23A-21	63106-07V	26-65	63116-37V	25-19	63116-76V	25-21
63071-02V	23B-16	63111-05V	25-4	63116-37V	26-44	63116-76V	27-38
63071-03V	22-13	63111-18V	25-4	63116-37V	27-33	63116-77V	25-21
63071-03V	23-25	63112-05V	25-5	63116-37V	27A-16	63116-78V	25-21
63071-03V	23B-17	63112-18V	25-5	63116-38V	25-19	63116-78V	27-38
63071-04V	22-14	63112-18V	26-3	63116-38V	26-44	63116-78V	27A-21
63071-04V	23B-18	63113-05V	25-14	63116-38V	27-33	63116-83V	25-20
63071-05V	22-15	63113-18V	25-14	63116-38V	27A-16	63116-83V	26-49
63071-05V	23B-19	63114-05V	25-15	63116-39V	25-18	63116-84V	26-49
63071-06V	22-16	63114-17V	25-15	63116-40V	25-17	63116-87V	25-22
63071-06V	23B-20	63114-17V	26-4	63116-41V	25-16	63116-87V	26-48
63071-07V	22-17	63115-02V	16-37	63116-42V	25-21	63116-88V	25-22
63071-07V	23B-21	63115-03V	16-38	63116-43V	25-19	63116-88V	26-48
63071-08V	22-18	63115-09V	16-37	63116-44V	25-19	63116-91V	25-21
63071-09V	22-19	63116-02V	25-16	63116-48V	25-18	63116-91V	27-38
63071-10V	22-20	63116-03V	25-16	63116-48V	26-45	63116-92V	25-21
63071-11V	22-21	63116-04V	25-17	63116-48V	27-34	63116-92V	27-38
63071-12V	22-22	63116-04V	26-47	63116-48V	27A-17	63116-93V	25-18
63071-12V	23-27	63116-04V	27-35	63116-49V	25-17	63116-93V	26-45
63071-12V	23A-22	63116-04V	27A-18	63116-49V	26-47	63116-93V	27-34
63071-12V	23B-22	63116-06V	25-18	63116-49V	27-35	63116-93V	27A-17
63071-13V	22-23	63116-06V	26-45	63116-49V	27A-18	63116-94V	25-17
63071-17V	23-28	63116-06V	27-34	63116-50V	25-16	63116-94V	26-47
63071-17V	23A-23	63116-06V	27A-17	63116-50V	26-46	63116-94V	27-35
63071-17V	23B-23	63116-12V	25-20	63116-50V	27-36	63116-94V	27A-18
63071-18V	23-28	63116-12V	26-49	63116-50V	27A-19	63116-95V	25-16
63071-18V	23A-23	63116-12V	27A-22	63116-51V	25-21	63116-95V	26-46
63071-18V	23B-24	63116-13V	25-20	63116-51V	27-38	63116-95V	27-36
63071-19V	22-23	63116-14V	25-21	63116-51V	27A-21	63116-95V	27A-19
63072-00V	22-25	63116-15V	25-21	63116-52V	25-19	63116-96V	27-38
63072-00V	22A-12	63116-17V	25-22	63116-52V	26-44	63116-96V	27A-21
63072-04V	22A-12	63116-17V	26-48	63116-52V	27A-16	63116-97V	25-19
63073-00V	22-36	63116-19V	25-16	63116-53V	25-19	63116-97V	25-21
63073-00V	23B-15	63116-19V	26-46	63116-53V	26-44	63116-97V	26-44
63073-02V	22-36	63116-19V	27-36	63116-53V	27-33	63116-97V	27-33
63073-02V	23B-15	63116-19V	27A-19	63116-53V	27A-16	63116-97V	27A-16
63076-00V	22-7	63116-21V	25-20	63116-58V	25-21	63116-98V	25-19
63077-00V	22-7	63116-21V	26-49	63116-58V	27-38	63116-98V	26-44
63078-08V	15-41	63116-23V	25-17	63116-58V	27A-21	63116-98V	27-33
63080-00V	69-1	63116-23V	26-47	63116-59V	25-22	63116-98V	27A-16
63081-00V	8-19	63116-24V	25-18	63116-60V	25-22	63116-102V	25-21
63082-00V	18-25	63116-24V	26-45	63116-61V	25-20	63116-102V	27-38
63085-00V	64-19b	63116-26V	25-19	63116-61V	27A-22	63116-102V	27A-21
63085-00V	66-60b	63116-26V	26-44	63116-62V	25-20	63116-103V	25-20
63086-00V	64-19c	63116-27V	25-19	63116-63V	25-20	63116-103V	26-49
63086-00V	66-60c	63116-27V	26-44	63116-63V	26-49	63116-103V	27A-22
63087-00V	57-36	63116-28V	25-21	63116-63V	27A-22	63116-104V	25-22
63089-00V	60-12	63116-29V	25-21	63116-64V	25-20	63116-105V	25-20
63092-00V	62-7	63116-31V	25-16	63116-65V	25-20	63116-105V	27A-22
63093-00V	62-6	63116-31V	26-46	63116-65V	27A-22	63116-107V	27-37
63096-00V	18-24	63116-33V	25-20	63116-70V	25-22	63116-107V	27A-20

## PIPER PARTS CATALOG

Part Number	Figure and Index No.	Part Number	Figure and Index No.	Part Number	Figure and Index No.	Part Number	Figure and Index No.
63116-108V	27-37	63118-00V	26-12	63142-10V	25-38	63149-02V	26-51
63116-108V	27A-20	63119-00V	25-24	63142-10V	26-18	63149-03V	22-49
63116-109V	27-37	63125-00V	22-52	63142-11V	25-39	63149-04V	22-50
63116-109V	27A-20	63125-02V	22-52	63142-11V	26-19	63149-05V	22-51
63116-123V	26-49	63125-03V	22-52	63142-13V	25-31	63149-06V	22-48
63116-123V	27-39	63125-03V	23-38	63142-13V	26-20	63149-06V	26-51
63116-124V	26-49	63125-04V	22-52	63142-13V	27-44	63149-07V	22-49
63116-124V	27-39	63125-04V	23-38	63142-13V	27A-33	63149-08V	22-50
63116-125V	26-49	63126-00V	22-53	63142-14V	25-33	63149-09V	22-51
63116-125V	27-39	63126-02V	22-53	63142-14V	26-21	63149-10V	22-48
63116-126V	26-49	63126-03V	22-53	63142-14V	27-45	63149-10V	23-40
63116-126V	27-39	63126-03V	23-38	63142-14V	27A-34	63149-10V	26-51
63116-127V	26-49	63126-04V	22-53	63142-25V	25-37	63149-11V	22-49
63116-127V	27-39	63126-04V	23-38	63142-25V	27-48	63149-11V	23-40
63116-128V	26-49	63130-00V	25-25	63142-25V	27A-37	63149-12V	22-50
63116-128V	27-39	63130-00V	26-13	63142-26V	25-38	63149-12V	23-41
63116-129V	26-49	63130-02V	25-25	63142-26V	27-48	63149-13V	22-51
63116-129V	27-39	63130-02V	26-13	63142-26V	27A-37	63149-13V	23-41
63116-130V	27-37	63130-02V	27-56	63142-27V	25-35	63149-14V	22-48
63116-132V	26-45	63130-02V	27A-39	63142-27V	27A-36	63149-14V	23-40
63116-132V	27-34	63131-00V	25-26	63142-32V	27-47	63149-14V	26-51
63116-132V	27A-17	63131-00V	26-14	63142-32V	27-48	63149-15V	22-49
63116-133V	26-47	63131-03V	25-26	63142-35V	26-17	63149-15V	23-40
63116-133V	27-35	63131-03V	26-14	63142-36V	26-17	63149-16V	22-50
63116-133V	27A-18	63131-07V	25-26	63142-36V	27-46	63149-16V	23-41
63116-134V	26-46	63131-08V	25-26	63142-36V	27A-35	63149-16V	23A-38
63116-134V	27-36	63131-08V	26-14	63142-38V	27-44	63149-16V	23B-33
63116-134V	27A-19	63131-10V	25-26	63142-38V	27A-33	63149-17V	22-51
63116-135V	27-38	63131-10V	26-14	63142-39V	27-44	63149-17V	23-41
63116-136V	26-44	63133-00V	68-25	63142-39V	27A-33	63149-17V	23A-38
63116-136V	27-33	63139-04V	28-19	63142-40V	27-45	63149-17V	23B-33
63116-136V	27A-16	63139-05V	28-19	63142-40V	27A-34	63149-18V	22-50
63116-137V	26-44	63139-06V	28-33	63142-42V	27A-36	63149-19V	22-51
63116-137V	27-33	63139-07V	28-33	63142-43V	27-47	63149-20V	23A-38
63116-137V	27A-16	63139-09V	28-19	63142-43V	27-48	63149-20V	23B-33
63116-138V	27-38	63139-10V	28-19	63142-43V	27A-37	63149-21V	23A-38
63116-138V	27A-21	63139-11V	28-33	63142-44V	27-48	63149-21V	23B-33
63116-139V	26-49	63139-12V	28-33	63142-45V	26-20	63150-00V	24-79
63116-139V	27-39	63139-13V	28-20	63142-46V	26-21	63150-04V	24-79
63116-140	27-37	63140-02V	25-27	63142-47V	27-44	63151-02V	24-81
63116-142	27-37	63140-03V	25-28	63142-47V	27A-33	63151-03V	24-81
63116-144	27-37	63140-04V	25-29	63142-48V	27-45	63152-00V	24-61
63116-147V	27A-21	63142-02V	25-30	63142-48V	27A-34	63152-00V	30-48
63116-148V	27A-20	63142-02V	26-22	63142-50V	26-21	63153-00V	25-81
63116-149V	27A-22	63142-02V	27-43	63142-51V	27-45	63153-00V	26-16
63116-150V	26-49	63142-02V	27A-32	63142-51V	27A-34	63154-02V	16-45
63116-150V	27A-22	63142-03V	25-31	63142-55V	26-20	63154-02V	17-10
63116-155V	26-48	63142-04V	25-32	63142-55V	27-44	63154-03V	16-45
63116-158V	26-49	63142-05V	25-33	63142-56V	26-22	63154-03V	17-10
63116-159V	27A-40	63142-06V	25-34	63142-56V	27-43	63155-00V	16-44
63116-160V	27A-40	63142-07V	25-35	63142-56V	27A-32	63156-00V	22-54
63116-161V	27A-40	63142-08V	25-36	63144-00V	25-11	63156-02V	22-54
63116-162V	27A-40	63142-08V	27-46	63144-00V	26-15	63156-03V	22-54
63117-00V	22-47	63142-08V	27A-35	63144-00V	27-11	63156-03V	23-39
63117-01V	22-47	63142-09V	25-37	63144-00V	27A-7	63156-04V	22-54
63118-00V	25-23	63142-09V	26-18	63149-02V	22-48	63156-04V	23-39

## PIPER PARTS CATALOG

Part Number	Figure and Index No.	Part Number	Figure and Index No.	Part Number	Figure and Index No.	Part Number	Figure and Index No.
63157-00V	16-32	63211-00V	20-9	63295-05V	79-10	63355-06V	46-10
63163-00V	25-56	63211-00V	20-27	63297-00V	88-17	63355-09V	46-10
63163-00V	27-57	63211-00V	20-29	63300-08V	33-35	63355-09V	47-8
63163-00V	27A-69	63211-00V	21-8	63307-00V	37-24	63356-00V	46-19
63164-00V	25-55	63211-00V	97-2	63308-00V	37-63	63356-00V	47-9
63164-00V	26-67	63212-00V	18-11	63310-00V	37-46	63357-00V	46-20
63164-00V	27-58	63212-04	18-11	63311-00V	37-45	63357-00V	47-10
63164-00V	27A-70	63215-00V	56-69	63311-03V	37-48	63358-00V	46-21
63164-01V	25-55	63218-00V	10-34	63312-00V	37-28	63361-02V	49-13
63164-01V	26-67	63219-00V	77-1	63312-00V	37-44	63361-03V	49-14
63164-01V	27-58	63220-00V	10-37	63312-02V	37-28	63365-00V	49-15
63164-01V	27A-70	63227-00V	25-47	63314-00V	37-42	63366-00V	49-20
63167-02V	25-59	63227-01V	25-47	63315-00V	37-41	63367-00V	49-16
63167-03V	25-52	63229-00V	25-48	63320-00V	45-19	63370-04V	37-60
63168-00V	25-53	63229-02V	25-48	63321-00V	45-20	63370-04V	43-6
63168-02V	25-53	63229-02V	26-24	63322-00V	45-21	63370-05V	37-60
63169-00V	25-4	63229-02V	27-53	63322-00V	46-1	63370-05V	43-6
63170-00V	25-14	63229-02V	27A-41	63322-01V	45-22	63373-00V	43-7
63171-00V	25-5	63237-00V	60-9	63322-01V	46-2	63374-00V	43-5
63172-00V	25-15	63237-04V	60-11	63323-00V	45-23	63374-01V	43-5
63173-02V	25-54	63237-05V	60-11	63323-00V	46-3	63377-00V	43-1
63179-00V	25-24	63243-02V	60-15	63324-00V	45-25	63380-00V	43-2
63179-08V	25-24	63243-02V	61-11	63324-00V	46-4	63383-00V	33A-4
63180-02V	28-20	63244-00V	62-1	63324-04V	46-4	63391-00V	76-10
63180-03V	28-33	63244-02V	62-1	63324-04V	47-5	63391-02V	76-11
63181-00V	28-3	63246-00V	57-24	63325-00V	45-26	63391-03V	76-10
63182-00V	28-4	63246-04V	57-24	63325-00V	46-5	63392-00V	50C-15
63182-02V	28-4	63246-04V	57A-17	63327-00V	33-31	63392-00V	50D-2
63182-03V	28-4	63253-00V	73B-5	63327-02V	33-34	63392-01V	50C-16
63185-02V	25-54	63258-00V	73B-4	63327-03V	33-34	63392-01V	50D-2
63185-02V	27-41	63259-00V	25-58	63327-04V	33-31	63393-00V	50C-17
63185-02V	27A-24	63259-00V	27-42	63327-08V	34-6	63393-00V	50D-3
63185-03V	25-54	63259-00V	27A-25	63327-09V	34-7a	63393-01V	50C-18
63185-03V	27-41	63260-00V	25-42	63327-10V	33-31	63393-01V	50D-3
63185-03V	27A-24	63260-00V	26-26	63327-11V	33-34	63395-00V	50B-9
63185-05V	27-41	63260-06V	25-42	63327-22V	34-45	63396-00V	50B-2
63185-05V	27A-24	63262-00V	73B-3	63327-23V	34-43	63398-00V	50A-14
63186-02V	50-32	63263-00V	64-22	63329-04V	33-28	63398-01V	50A-14
63186-04V	44-2	63264-00V	50-13	63329-04V	33A-1	63404-00V	80-10
63186-06V	56-11a	63275-00V	10-22	63329-06V	33A-24	63404-00V	81-16
63186-12V	96-7	63276-00V	82-10	63329-08V	33-28	63407-00V	56-70
63186-21V	50-31	63277-00V	82-12	63329-08V	33A-1	63408-00V	16-52
63186-33V	44-5	63278-00V	16-48	63332-03V	37-5	63408-00V	17-12b
63187-06V	24-79	63284-00V	10-2	63332-03V	37-12	63419-00V	82-3
63187-07V	24-79	63284-02V	10-2	63332-05V	37-6	63419-00V	83-3
63187-11V	24-79	63285-00V	10-6a	63338-00V	44-1	63420-00V	82-2
63187-12V	24-79	63286-00V	13-66	63339-00V	44-3	63420-03V	82-2
63189-00V	16-49	63287-00V	13-64	63339-01V	44-3	63420-05V	82-2
63201-00V	56-71	63288-00V	13-65	63339-02V	44-4	63420-08V	82-2
63203-00V	56-69	63293-02V	12-43	63340-00V	44-7	63422-00V	51-95
63206-00V	18-24	63293-02V	25-58	63340-01V	44-7	63423-00V	10-6
63207-00V	20-24	63293-02V	27-42	63341-00V	44-6	63423-04V	10-6
63207-00V	21-27	63293-02V	27A-25	63342-00V	44-8	63423-04V	11-6
63208-00V	20-8	63295-02V	79-10	63353-00V	46-6	63425-00V	66-3
63209-00V	20-27	63295-03V	79-10	63354-00V	40-40	63426-00V	16-25
63210-00V	20-29	63295-04V	79-10	63354-00V	44-35	63426-00V	16-25

## PIPER PARTS CATALOG

Part Number	Figure and Index No.	Part Number	Figure and Index No.	Part Number	Figure and Index No.	Part Number	Figure and Index No.
63427-00V	62-10	63462-03V	10-2	63540-00V	50B-1	63573-01V	50D-4
63428-02V	68-17	63464-00V	48-6	63540-02V	50-2	63574-00V	50C-15
63428-03V	68-17	63465-00V	4-36	63540-02V	50B-1	63574-01V	50C-16
63428-04V	68-17	63465-00V	49-58	63541-00V	50-5	63574-02V	50C-17
63428-05V	68-17	63466-00V	46-2	63542-00V	50B-2	63574-03V	50C-18
63428-06V	68-17	63466-00V	47-4	63542-02V	50B-2	63575-00V	50C-19
63428-07V	68-17	63468-00V	48-7	63543-00V	50B-3	63575-00V	50D-5
63428-08V	68-17	63469-00V	48-8	63544-00V	50B-4	63575-02V	50D-5
63428-09V	68-17	63469-00V	48-8a	63545-00V	50B-5	63584-10V	50-6
63428-10V	68-17	63469-01V	48-8a	63546-00V	50B-6	63585-00V	50-7
63428-11V	68-17	63469-01V	48-9	63550-00V	50B-8	63585-01V	50-7
63428-13V	32B-17	63470-00V	48-10	63551-00V	50B-9	63586-00V	50-9
63428-14V	68-17	63470-01V	48-27	63559-00V	88-2	63586-01V	50-9
63428-15V	68-17	63474-00V	48-11	63560-00V	50-3	63587-00V	50-10
63428-16V	68-17	63478-00V	48-12	63560-00V	50C-1	63587-01V	50-11
63428-17V	32B-17	63479-00V	53-7	63560-02V	50-8	63588-00V	50-12
63430-00V	62-11	63479-00V	54-55	63560-02V	50C-20	63589-00V	50-6
63431-00V	62-5	63483-00V	37-59	63560-02V	50D-23	63591-00V	60-19
63433-00V	62-2	63483-00V	39-17	63560-03V	50C-21	63594-00V	48-5
63436-00V	10-4	63484-00V	37-2	63560-03V	50D-24	63594-01V	48-5
63436-00V	11-4	63484-00V	39-38	63560-06V	50-3	63595-00V	2-9
63436-01V	10-4	63485-00V	48-13	63560-06V	50C-1	63596-00V	8-22
63436-01V	11-4	63485-01V	48-13	63561-00V	50C-2	63600-24V	33-24
63441-00V	62-1	63485-02V	48-13	63561-03V	50C-2	63600-24V	56-1
63443-00V	28-20a	63485-03V	48-13	63561-04V	50C-2	63600-28V	33-24
63446-00V	57-22	63486-00V	57-33	63561-05V	50D-12	63600-28V	56-1
63451-00V	82-16	63489-00V	46-1	63562-00V	50C-3	63601-10V	56-31c
63455-00V	82-14	63492-00V	62-17	63562-00V	50D-13	63601-13V	56-31
63455-00V	83-12	63498-00V	51-19	63563-00V	50C-4	63603-00V	64-1
63456-00V	82-9	63500-00V	50-1	63563-00V	50D-20	63603-08V	64-2
63456-00V	82-11	63500-00V	50A-1	63564-00V	50C-5	63603-13V	64-3
63456-00V	83-10	63500-08V	50-1	63564-00V	50D-21	63603-14V	64-3
63457-03V	82-5	63500-08V	50A-1	63565-02V	50C-6	63603-17V	64-3
63458-00V	82-4	63501-00V	50A-2	63565-02V	50D-22	63603-18V	64-3
63458-02V	82-4	63501-03V	50A-2	63566-00V	50C-7	63603-19V	64-1
63458-05V	82-4	63502-00V	50A-3	63566-01V	50C-7	63603-26V	64-2a
63459-02V	82-1	63503-00V	50A-5	63566-02V	50C-7	63605-00V	62-16
63459-03V	82-1	63504-00V	50A-6	63566-02V	50D-17	63605-00V	63-12
63459-04V	82-1	63505-00V	50A-7	63566-02V	50D-18	63609-00V	62-3
63459-08V	82-1	63506-00V	50A-8	63566-03V	50C-7	63610-00V	62-1
63459-09V	82-1	63507-00V	50A-9	63566-03V	50D-17	63611-00V	62-2
63459-12V	82-1	63507-01V	50A-9	63566-03V	50D-18	63612-00V	62-7
63459-13V	82-1	63508-00V	50A-10	63567-03V	50C-8	63612-06V	62-7
63459-14V	82-1	63509-00V	50A-11	63567-03V	50D-19	63612-09V	62-7
63459-15V	82-1	63510-00V	50A-12	63568-00V	50C-9	63612-11V	62-7
63459-16V	82-1	63511-00V	50A-13	63569-00V	50C-10	63613-00V	62-6
63459-17V	82-1	63511-01V	50A-13	63569-00V	50D-14	63614-00V	62-8
63459-19V	82-1	63512-00V	50A-14	63570-00V	50C-11	63614-05V	62-8
63460-00V	50-3	63512-01V	50A-14	63570-00V	50D-15	63615-00V	62-9
63460-00V	50C-1	63513-00V	50A-15	63571-00V	50C-12	63615-04V	62-9
63460-00	50-3	63514-06V	50-4	63571-00V	50D-16	63616-00V	62-11
63460-00	50C-1	63515-00V	50A-17	63572-00V	50C-13	63616-09V	62-11
63460-02V	50-3	63517-00V	50-14	63572-00V	50D-9	63617-00V	62-10
63460-02V	50C-1	63530-00V	77-90	63573-00V	50C-14	63617-03V	62-10
63462-00V	10-2	63530-00V	78-49	63573-00V	50D-4	63617-11V	62-10
63462-02V	10-2	63540-00V	50-2	63573-01V	50C-14	63617-14V	62-10

## PIPER PARTS CATALOG

Part Number	Figure and Index No.	Part Number	Figure and Index No.	Part Number	Figure and Index No.	Part Number	Figure and Index No.
63617-15V	62-10	63633-56V	31A-19	63693-03V	62-2	63778-00V	80-2b
63618-00V	64-21	63633-56V	31B-17	63694-00V	33-24	63779-00V	76-18
63619-08V	64-14	63633-56V	32-27	63694-00V	56-1	63781-00V	76-9
63621-00V	62-12	63633-57V	58-38	63699-00V	62-15	63782-03V	76-17
63621-02V	62-12	63633-59V	31A-18	63699-03V	62-15	63782-04V	76-8
63631-00V	56-9	63633-60V	31A-16	63701-00V	56-17	63794-10	51-20
63632-06V	56-11	63633-61V	31B-18	63704-00V	60-21	63795-00V	51-15
63632-07V	56-11	63633-63V	58-38	63705-02V	60-6	63795-00V	52-15
63633-02V	30-20	63633-88V	57-17	63705-03V	60-7	63797-00V	51-38
63633-02V	31-23	63633-88V	57A-24	63706-00V	62-10	63797-00V	52-38
63633-03V	30-20	63633-89V	31A-14	63706-08V	62-10	63798-00V	51-18
63633-03V	31-23	63633-100V	32B-31	63706-09V	62-10	63798-00V	51-20
63633-04V	62-18	63633-104V	51-109	63707-00V	62-1	63798-00V	52-18
63633-05V	56-32	63633-123V	32E-16	63709-00V	62-11	63798-00V	52-20
63633-07V	30-1	63633-124V	32E-16	63709-05V	62-11	63801-00V	51-10
63633-07V	31-42	63633-125V	32E-16	63709-08V	62-11	63801-00V	52-10
63633-07V	31A-14	63633-126V	32E-17	63712-00V	60-12	63802-00V	51-11
63633-07V	31B-15	63633-128V	32E-18	63716-00V	62-13	63802-00V	52-11
63633-08V	30-24	63633-129V	32E-18	63717-00V	56-4	63803-00V	52-12
63633-08V	31B-32	63633-130V	32E-18	63718-00V	56-3	63803-04V	51-12
63633-09V	30-3	63633-136V	10-46	63723-02V	60-7	63803-04V	52-12
63633-10V	30-1	63633-136V	11-44	63723-03V	60-6	63803-04V	53-57
63633-13V	52-106	63633-148V	32E-16	63726-02V	60-2	63803-04V	55-25
63633-14V	10-35	63633-150V	32E-16	63726-04V	60-3	63806-00V	51-13
63633-14V	31A-16	63633-151V	32E-18	63732-00V	56-36	63806-00V	52-13
63633-15V	10-35	63633-154V	32E-18	63735-00V	60-16	63806-00V	53-66
63633-15V	31A-17	63635-00V	56-17	63740-02V	49-40	63807-00V	51-14
63633-18V	31-42	63636-00V	56-18	63740-03V	49-41	63807-00V	52-14
63633-18V	66-5	63637-00V	56-19	63740-04V	49-42	63807-00V	53-67
63633-19V	31-41	63637-02V	56-19	63744-02V	49-39	63822-00V	26-52
63633-19V	31A-15	63639-00V	64-20	63744-06V	26-34	63823-00V	52-15
63633-20V	66-7	63642-02V	60-16	63744-09V	22-30	63824-00V	52-16
63633-21V	31-43	63642-03V	60-17	63744-09V	23-19	63824-00V	53-58
63633-23V	51-96	63645-00V	60-18	63744-09V	23A-14	63824-03V	55-26
63633-23V	51-109	63646-00V	60-19	63744-09V	23B-10	63824-06V	53-58
63633-23V	52-106	63652-02V	60-10	63744-11V	42-6	63824-08V	55-26
63633-23V	52-112	63652-04V	60-9	63744-12V	42-7	63824-10V	51-16
63633-23V	53-55	63652-05V	60-9	63745-00V	62-11	63825-00V	51-17
63633-24V	31-42	63655-00V	56-35	63745-04V	62-11	63825-00V	52-17
63633-24V	66-5	63656-00V	33-47	63750-00V	64-1	63825-00V	53-59
63633-25V	10-35	63656-00V	34-39	63750-02V	64-3	63825-03V	55-27
63633-26V	31-42	63656-02V	34-82	63750-03V	64-3	63825-06V	53-59
63633-27V	31-41	63659-00V	56-56	63750-06V	64-1	63825-06V	55-27
63633-29V	31-23	63666-02V	60-1	63750-07V	64-3	63825-08V	51-17
63633-33V	31A-15	63670-00	66-52	63750-08V	64-3	63826-00V	52-18
63633-37V	31-43	63672-00V	56-79	63751-00V	16-32	63827-00V	51-19
63633-38V	31-41	63674-00V	56-13	63753-00V	16-32	63827-00V	52-19
63633-38V	31A-15	63679-00V	64-20	63755-00V	16-32	63832-00V	25-78
63633-39V	30-20	63680-00V	56-31	63757-00V	16-32	63832-00V	27-89
63633-40V	31A-18	63684-04V	56-30	63760-03V	66-30	63831-00V	51-84
63633-45V	32-18	63684-04V	57-20	63760-04V	57-2	63834-00V	52-89
63633-46V	58-26	63684-04V	57A-13	63765-00V	10-7	63835-00V	52-23
63633-47V	10-36	63684-04V	58-37	63765-02V	10-7	63837-00V	51-24
63633-47V	11-40	63684-04V	66-109	63765-03V	10-7	63837-00V	52-24
63633-51V	32-26	63690-00V	64-25	63766-00V	16-55	63837-00V	53-68
63633-55V	31A-18	63693-00V	62-2	63766-00V	17-47	63838-00V	51-25

## PIPER PARTS CATALOG

Part Number	Figure and Index No.	Part Number	Figure and Index No.	Part Number	Figure and Index No.	Part Number	Figure and Index No.
63838-00V	52-25	63900-21V	77-10	63900-115V	39-38	63901-18V	52-43
63838-00V	53-69	63900-24V	28-10	63900-119V	57B-54	63901-19V	53-49
63839-00V	52-26	63900-24V	28A-36	63900-119V	57B-55	63901-20V	57-10
63839-02V	52-26	63900-24V	29-11	63900-119V	57B-56	63901-21V	48-3
63839-03V	51-26	63900-25V	20-13	63900-119V	57C-57	63901-21V	48-26
63840-00V	52-30	63900-26V	74-68	63900-119V	57C-55	63901-21V	84-13
63840-02V	51-30	63900-27V	77-11	63900-120V	34-20	63901-22V	48-4
63845-00V	52-20	63900-27V	77-48	63900-121V	59-24C	63901-23V	55-23
63846-00V	51-36	63900-28V	30-13	63900-121V	67A-13	63901-24V	55-23
63846-00V	52-36	63900-28V	31-25	63900-122V	35-21	63901-26V	57A-22
63848-00V	52-39	63900-29V	77-12	63900-130V	38-12	63901-26V	66-11
63849-00V	51-89	63900-30V	3-11	63900-131V	46-26	63901-27V	56-72
63849-00V	52-95	63900-31V	42-36	63900-131V	47-28	63901-27V	57-31
63858-00V	68-8	63900-31V	49-21	63900-133V	55-91h	63901-27V	57A-26
63859-00V	68-9	63900-31V	74-26	63900-145V	28A-34	63901-27V	66-13
63861-00V	69-1	63900-31V	74-47	63900-149V	28A-35	63901-29V	48-26
63862-16V	68-79	63900-31V	75-29	63900-159V	39-40	63901-30V	84-14
63862-17V	68-78	63900-37V	74-27	63900-160V	78-53	63901-36V	58-16
63862-18V	73B-14	63900-37V	75-30	63900-161V	78-54	63901-38V	54-12
63862-136V	68-78	63900-35V	76-25	63901-02V	45-24	63901-39V	54-13
63862-137V	68-79	63900-35V	76-26	63901-03V	45-27	63901-40V	54-13a
63862-148V	73B-14	63900-41V	33-54	63901-04V	45-28	63901-41V	54-14
63862-151V	68-78	63900-41V	34-49	63901-05V	52-40	63901-41V	84-15
63868-00V	69-3	63900-44V	25-49	63901-06V	52-41	63901-43V	57A-23
63871-00V	91-14	63900-44V	26-25	63901-07V	51-42	63901-43V	58-25
63872-00V	92-9	63900-44V	27-54	63901-07V	52-42	63901-44V	55-29
63873-00V	92-10	63900-44V	27A-63	63901-07V	53-51	63901-45V	54-13a
63875-05V	68-26	63900-46V	12-29	63901-07V	55-29	63901-46V	54-11
63879-00V	73-97	63900-47V	12-28	63901-08V	52-43	63901-69V	56-17
63882-08V	74-46	63900-48V	12-30	63901-09V	46-22	63901-69V	56-18
63882-09V	77-82	63900-50V	24-91	63901-09V	47-6	63901-77V	51-4
63882-09V	78-35	63900-50V	24A-49	63901-09V	48-2	63901-77V	52-4
63882-25V	75-52	63900-53V	28-2	63901-10V	52-23	63901-77V	53-53
63882-26V	42-8	63900-53V	28A-34	63901-11V	51-64	63901-77V	55-11
63882-27V	42-9	63900-54	28-30	63901-11V	52-40	63901-163	45-24
63882-29V	42-27	63900-54	25A-7	63901-11V	52-72	63901-163V	56-17
63882-31V	31A-46	63900-55V	78-21	63901-12V	51-40	63901-163	56-18
63882-31V	31B-19	63900-56V	78-20	63901-12V	51-43	63902-02V	45-29
63882-31V	32-49	63900-55V	78-53	63901-12V	52-23	63902-03V	56-40
63882-35V	84-10	63900-60V	78-54	63901-12V	52-40	63902-03V	57-48
63885-00V	91-3	63900-61V	78-23	63901-12V	52-41	63902-03V	66-93
63885-05V	91-3	63900-64V	10-48	63901-12V	53-47	63902-04V	56-41
63888-00V	73B-10	63900-64V	11-47	63901-13V	52-43	63902-05V	30-35
63890-02V	73B-6	63900-66V	85-5	63901-13V	55-23	63902-05V	31-6
63897-06V	32A-28	63900-67V	85-6	63901-14V	51-112	63902-06V	30-10
63900-07V	28-1	63900-75V	57B-41	63901-14V	52-40	63902-06V	31-26
63900-10V	77-5	63900-75V	57B-56	63901-14V	52-115	63902-07V	30-43
63900-11V	39-39	63900-75V	57C-55	63901-14V	53-45	63902-07V	31-15
63900-12V	77-6	63900-75V	59-64	63901-14V	54-48	63902-08V	56-41
63900-13V	77-7	63900-85V	38-37	63901-15V	51-64	63902-08V	57-50
63900-14V	63-13	63900-85V	38-11	63901-15V	53-54	63902-08V	66-95
63900-16V	77-9	63900-85V	38-14	63901-15V	55-30	63902-10V	31-26
63900-19V	2-47	63900-96V	58-24	63901-16V	66-12	63902-11V	31-15
63900-19V	77-85	63900-99V	76-19c	63901-17V	37-3	63902-16V	56-40
63900-20V	2-48	63500-103V	39-40	63901-17V	39-42	63902-16V	57-48
63900-21V	77-8	63900-109V	35-20	63901-18V	51-43	63902-16V	66-93



## PIPER PARTS CATALOG

Part Number	Figure and Index No.	Part Number	Figure and Index No.	Part Number	Figure and Index No.	Part Number	Figure and Index No.
63902-17V	56-41	63913-10V	47-7	63913-57V	18-24	63915-20V	67A-30
63902-17V	57-50	63913-11V	51-44	63913-59V	21-9	63915-21V	57B-34
63902-17V	66-95	63913-11V	52-44	63913-63V	18-24	63916-02V	56-45
63902-18V	30-10	63913-13V	56-26	63913-64V	58-52	63916-02V	57-52
63902-18V	30-35	63913-14V	51-92	63913-66V	84-41	63916-02V	66-105
63902-18V	31-6	63913-14V	52-98	63913-68V	97-8	63918-00V	16-41
63902-19V	30-43	63913-15V	52-99	63913-69V	57C-31	63921-00V	16-40
63902-20V	31-26	63913-16V	52-100	63913-69V	67A-42	63922-00V	16-25
63902-25V	32E-41	63913-17V	52-101	63913-70V	21-21	63922-02V	16-25
63902-26V	32E-41	63913-18V	52-102	63913-74V	56-26	63925-00V	33-46
63904-02V	20-10	63913-19V	52-103	63913-81V	19-12	63925-00V	34-38
63904-03V	20-16	63913-20V	52-104	63913-81V	19A-11	63927-00V	10-47
63904-04V	20-19	63913-21V	52-99	63913-81V	19B-12	63927-00V	11-46
63904-06V	73B-8	63913-21V	52-102	63913-104V	21-10	63930-00V	25-43
63904-06V	73B-26	63913-23V	52-102	63913-105V	21-9	63930-00V	26-27
63904-07V	73B-9	63913-24V	52-101	63913-122V	97-3	63933-00V	37-57
63904-10V	49-32	63913-24V	55-24	63913-122V	97-9	63935-02V	30-31
63904-11V	20-10	63913-25V	51-115	63913-193V	52-82	63936-00V	51-37
63904-19V	73B-19	63913-25V	52-22	63913-193V	53-98	63936-00V	52-37
63904-20V	73B-18	63913-25V	52-104	63913-193V	54-78	63937-00V	52-38
63904-21V	73B-17	63913-25V	53-46	63913-193V	55-94	63940-00V	25-79
63904-24V	5-46	63913-26V	55-31	63913-194V	51-74a	63940-00V	26-28
63904-25V	32D-10	63913-26V	57A-21	63913-194V	52-82a	63940-02V	25-79
63904-26V	32D-11	63913-26V	58-11	63913-194V	53-99	63940-02V	26-28
63904-27V	32D-12	63913-28V	18-10	63913-194V	54-78a	63940-03V	25-79
63904-29V	19-13	63913-28V	19A-11	63913-194V	55-94a	63940-03V	26-28
63904-29V	19A-15	63913-28V	19B-12	63914-04V	30-36	63940-04V	25-79
63904-29V	19B-16	63913-29V	66-9	63914-04V	31-7	63940-04V	26-28
63904-56V	32A-20	63913-30V	66-10	63914-05V	30-11	63940-05V	25-79
63904-60V	32A-20	63913-32V	20-30	63914-05V	31-27	63940-05V	26-28
63904-63V	32B-32	63913-34V	20-4	63914-06V	30-44	63940-06V	26-28
63904-64V	32B-32	63913-34V	21-3	63914-06V	31-16	63942-00V	2-46
63904-66V	32D-11	63913-35V	20-31	63914-07V	46-24	63942-01V	2-46
63904-70V	32D-10	63913-35V	21-10	63914-07V	47-12	63947-00V	15-30
63904-71V	32A-23	63913-37V	20-5	63915-02V	51-45	63949-00V	25-75
63904-72V	32A-20	63913-37V	21-4	63915-02V	52-45	63949-00V	26-53
63904-80V	32A-23	63913-37V	97-9	63915-02V	55-72	63949-00V	27-90
63904-89V	32E-19	63913-40V	51-93	63915-03V	56-43	63949-02V	25-76
63906-02V	49-33	63913-40V	52-101	63915-03V	57-40	63949-02V	26-54
63907-00V	20-1	63913-40V	52-104	63915-03V	66-97	63949-02V	27-91
63909-00V	13-21	63913-40V	53-48	63915-04V	56-44	63949-03V	25-77
63910-00V	33-43	63913-41V	53-50	63915-04V	66-98	63949-03V	26-55
63910-02V	34-35	63913-42V	57-30	63915-05V	68-56	63949-03V	27-92
63911-00V	33-44	63913-42V	57A-27	63915-06V	46-25	63950-03V	16-46
63911-00V	34-36	63913-44V	18-12	63915-06V	47-13	63950-04V	16-47
63912-00V	33-45	63913-44V	19-8	63915-07V	55-73	63954-00V	51-77
63912-00V	34-37	63913-44V	19A-12	63915-08V	51-113	63954-00V	52-77
63913-03V	52-44	63913-44V	19B-13	63915-08V	52-116	63954-00V	53-102
63913-03V	54-15	63913-46V	66-9	63915-09V	67-7	63954-00V	54-73
63913-05V	18-18	63913-47V	18-12	63915-09V	67-7	63954-00V	55-96
63913-06V	19-11	63913-47V	19-9	63915-10V	67-8	63964-00V	56-54
63913-06V	19A-9	63913-47V	19A-13	63915-11V	53-81	63964-00V	57-19
63913-07V	18-27	63913-47V	19B-14	63915-12V	55-73	63976-24V	54-32
63913-07V	19-10	63913-48V	67-15	63915-13V	53-80	63977-00V	73B-11
63913-07V	19A-10	63913-49V	19A-14	63915-14V	53-80	63980-00V	92-1
63913-07V	19B-11	63913-49V	19B-15	63915-14V	54-28	63983-00V	92-2
63913-08V	18-17	63913-50V	18-28	63915-17V	33-11	63984-02V	92-3
63913-10V	46-23	63913-50V	18-28a	63915-18V	51-45	63984-03V	92-3
		63913-56V	21-11	63915-20V	55-72	63984-04V	92-3
					57C-45		

## PIPER PARTS CATALOG

Part Number	Figure and Index No.	Part Number	Figure and Index No.	Part Number	Figure and Index No.	Part Number	Figure and Index No.
63984-05V	92-3	65245-00V	77-88	65287-02V	31-35	65311-02V	25-59
63985-00V	92-8	65245-00V	78-50	65287-03V	24-59	65311-02V	27-19
63994-00V	24-60	65246-00V	77-89	65287-03V	31-35	65311-03V	25 52
63994-00V	30-47	65246-00V	78-37	65287-04V	24-59	65311-03V	27-22
63994-00V	31-32	65247-00V	77-90	65287-04V	31-35	65312-00V	16-48
63994-02V	24-60	65248-00V	77-91	65288-02V	25-4	65313-00V	16-51
63994-02V	30-17	65248-00V	78-42	65288-03V	25-4	65318-00V	30-61
63994-03V	24-60	65249-00V	77-92	65288-04V	25-4	65318-00V	31-28
63994-03V	31-32	65249-00V	78-38	65288-05V	25-4	65318-00V	31A-22
63994-04V	24-60	65250-00V	77-93	65288-06V	25-4	65318-00V	31B-20
63994-04V	31-32	65250-00V	78-3	65288-07V	25-4	65318-00V	32-35
65003-37	83-13A	65251-00V	77-94	65289-00V	55-85	65319-04V	37-39
65205-02V	16-46	65251-00V	78-47	65290-02V	25-15	65324-02V	25-53
65208-00V	66-31	65252-00V	77-95	65290-03V	25-15	65324-03V	25-53
65208-03V	57-3	65252-00V	78-39	65290-04V	25-15	65324-03V	27-40
65208-03V	66-31	65253-00V	77-96	65290-05V	25-15	65324-03V	27A-23
65209-00V	66-30	65253-00V	78-40	65290-06V	25-15	65324-04V	25-53
65210-00V	66-110	65254-00V	77-97	65290-07V	25-15	65324-04V	27-40
65211-00V	13-53	65254-00V	78-27	65291-00V	66-56	65324-04V	27A-23
65212-00V	13-54	65255-00V	77-98	65291-03V	64-13	65324-05V	25-53
65216-00V	79-13	65256-00V	77-99	65291-03V	65-4	65324-06V	27-40
65219-00V	25-83	65257-00V	77-100	65291-03V	66-58	65324-06V	27A-23
65219-00V	25-86	65259-00V	66-73	65291-04V	64-11	65324-06V	27-40
65219-00V	26-74	65260-00V	66-74	65291-04V	65-2	65324-06V	27A-23
65219-00V	27-73	65261-00V	66-2	65293-00V	49-44	65328-00V	25-24
65219-00V	27A-61	65262-00V	66-65	65294-02V	25-5	65328-02V	25-24
65221-00V	66-14	65263-00V	66-66	65294-03V	25-5	65331-00V	43-1
65224-02V	25-1	65265-00V	6-9	65294-04V	25-5	65331-06V	43-1
65224-02V	26-7	65265-01V	6-9	65294-05V	25-5	65332-00V	43-2
65224-03V	25-1	65269-02V	27-60	65294-06V	25-5	65332-02V	43-2
65224-04V	25-1	65269-02V	27A-43	65294-07V	25-5	65333-00V	92-9
65224-04V	26-7	65273-00V	28-33a	65294-08V	25-5	65333-00V	93-12
65224-05V	26-7	65276-00V	33A-29	65294-09V	25-5	65333-04V	93-13
65224-06V	25-1	65276-02V	33A-29	65294-10V	25-5	65338-02V	24-70
65224-06V	26-7	65280-00V	33A-8	65299-00V	6-8	65338-03V	24-70
65224-07V	26-7	65281-00V	55-28	65299-01V	6-8	65338-04V	24-70
65225-00V	66-16	65286-02V	28-36	65300-00V	50-6	65339-02V	25-6
65230-00V	66-63	65286-03V	28-36	65304-00V	24-76	65339-03V	25-6
65235-00V	66-68	65286-04V	28-36	65304-00V	25-11	65339-04V	25-6
65238-02V	25-7	65286-05V	24-74	65304-00V	26-69	65340-00V	50B-9
65238-03V	24-77	65286-05V	25-9	65304-00V	27-29	65341-00V	50B-10
65238-04V	25-7	65286-05V	26-72	65304-00V	27A-44	65342-00V	50-2
65238-05V	24-77	65286-05V	27-32	65304-00V	28-34	65342-00V	50B-1
65238-06V	25-7	65286-05V	27A-47	65307-00V	24-5	65342-02V	50-2
65238-07V	24-77	65286-06V	24-74	65308-02V	24-69	65342-02V	50B-1
65238-08V	25-7	65286-06V	25-9	65308-03V	24-69	65343-00V	15-35
65238-09V	24-77	65286-06V	26-72	65308-04V	24-69	65344-00V	55-75
65238-10V	25-7	65286-06V	27-32	65308-05V	24-69	65345-03V	50-4
65238-11V	24-77	65286-06V	27A-47	65308-06V	24-69	65347-02V	24-44
65238-12V	25-7	65286-07V	24-74	65308-07V	24-69	65355-00V	2-13
65238-13V	24-77	65286-07V	25-9	65308-08V	24-69	65355-00V	6-1
65240-00V	64-13a	65286-07V	26-72	65308-09V	24-69	65355-01V	2-13
65240-00V	65-9	65286-07V	27-32	65308-10V	24-69	65355-01V	6-1
65240-01V	64-13a	65286-07V	27A-47	65309-02V	25-14	65356-00V	24-12
65240-01V	65-9	65286-08V	24-74	65309-03V	25-14	65359-00V	68-2
65241-00V	64-13b	65286-08V	26-72	65309-04V	25-14	65364-03V	55-16
65241-00V	65-10	65286-08V	27-32	65309-05V	25-14	65364-04V	55-15
65244-00V	77-87	65286-08V	27A-47	65309-06V	25-14	65364-04V	55-17
65244-00V	78-46	65287-02V	24-59	65309-07V	25-14	65364-05V	55-18

## PIPER PARTS CATALOG

Part Number	Figure and Index No.	Part Number	Figure and Index No.	Part Number	Figure and Index No.	Part Number	Figure and Index No.
65365-02V	55-19	65435-00V	67-10	65493-910V	37-20	65546-00V	25-23
65365-03V	55-20	65438-00V	57C-29	65493-911V	37-20	65546-00V	26-12
65365-04V	55-21	65438-00V	67-16	65494-00V	15-42	65546-00V	27-51
65366-00V	55-22	65438-00V	67A-43	65497-00V	25-42	65546-00V	27A-50
65368-00V	33-36	65439-02V	24-59	65497-00V	26-26	65546-04V	26-12
65369-00V	37-57	65439-02V	30-52	65501-00V	29-1	65547-00V	10-2
65370-00V	25-84	65439-02V	31-35	65501-02V	29-1	65549-03V	68-17
65372-00V	68-61	65439-03V	24-59	65501-03V	29-1	65550-02V	16-37
65376-00V	66-15	65439-03V	30-52	65501-04V	29-1	65550-03V	16-38
65382-00V	14-22	65439-03V	31-35	65501-05V	29-1	65550-04V	16-38
65383-00V	14-22	65439-04V	24-59	65505-00V	29-6	65555-00V	10-5
65384-00V	8-42	65439-04V	30-52	65506-00V	14-23	65556-00V	8-36
65384-00V	9-40	65439-04V	31-35	65506-02V	14-23	65556-00V	9-30
65388-17V	49-57	65439-05V	24-59	65511-00V	14-16	65556-02V	8-36
65388-18V	49-57	65439-05V	30-52	65513-00V	26-36	65556-02V	9-30
65388-34V	6-7	65440-03V	49-12	65514-00V	26-43	65557-00V	15-25
65388-35V	6-7	65440-07V	24-3	65514-02V	26-43	65558-00V	15-24
65389-00V	55-80	65440-07V	24A-3	65514-03V	26-43	65563-00V	8-12
65392-00V	55-76	65442-00V	66-51	65514-04V	26-43	65563-02V	8-21
65395-00V	66-66	65442-03V	60-15	65514-05V	26-43	65563-02V	10-1
65396-00V	55-89	65443-03V	8-12	65515-00V	29-2	65563-03V	8-13
65397-00V	25-85	65443-04V	8-21	65515-02V	29-2	65563-04V	12-27
65398-00V	66-64	65443-04V	10-1	65515-03V	29-2	65563-04V	22-46
65399-00V	66-66a	65444-00V	8-1	65515-04V	29-2	65563-05V	12-27
65401-00V	55-81	65444-02V	8-6	65515-05V	29-2	65563-05V	22-46
65402-00V	66-63	65448-00V	16-32	65518-00V	29-2a	65563-07V	8-24
65403-00V	57-23	65451-02V	67-5	65519-00V	29-5	65563-07V	9-19
65403-00V	57A-16	65453-00V	55-39	65520-00V	26-63	65563-07V	12-1
65403-00V	66-65	65454-00V	55-40	65520-00V	29-14	65563-08V	9-19
65406-07V	25-82	65455-00V	64-29	65522-00V	57-36	65563-08V	12-1
65406-08V	25-82	65455-00V	66-8	65524-00V	88-2	65564-02V	25-40
65406-09V	25-82	65458-02V	10-23	65525-00V	30-18	65564-02V	26-65
65407-00V	55-77	65458-03V	10-24	65525-00V	31-20	65564-02V	27-66
65407-05V	55-77	65458-04V	10-25	65528-00V	73-6	65564-02V	27A-60
65409-00V	13-65	65458-05V	10-41	65530-00V	26-1a	65567-00V	24-40
65410-02V	25-87	65458-06V	10-41	65530-00V	26-73	65570-00V	12-44
65410-03V	25-87	65459-00V	13-54	65530-00V	26-84	65570-01V	12-44
65410-04V	25-87	65461-06V	55-86	65531-00V	88-25	65571-00V	10-14
65410-06V	25-87	65461-07V	55-86	65533-00V	13-52	65571-00V	11-1 7
65412-00V	55-40	65461-15V	55-86	65534-00V	8-26	65572-00V	12-35
65413-00V	33A-4	65461-19V	55-86	65534-00V	9-23	65572-01V	12-35
65414-00V	13-54	65465-00V	66-16	65534-00V	13-1	65575-00V	55-39
65415-00V	13-53	65466-00V	67-24	65534-03V	8-27	65576-00V	55-40
65418-00V	66-47	65467-00V	8-26	65534-03V	9-25	65577-00V	55-41
65419-00V	66-45	65467-00V	13-1	65534-04V	8-28	65578-00V	55-36
65420-00V	66-44	65467-02V	8-28	65534-04V	9-24	65578-03V	55-36
65421-00V	16-32	65467-02V	9-24	65534-05V	9-23	65586-04V	7-13
65422-00V	31-9	65472-00V	66-16	65534-05V	13-1	65586-05V	7-13
65422-00V	31A-8	65475-02V	25-5	65534-06V	9-23	65587-00V	7-14
65426-00V	12-37	65475-03V	25-5	65534-06V	13-1	65588-00V	7-2
65426-01V	12-37	65475-04V	25-5	65536-00V	13-24	65589-00V	7-3
65428-00V	13-53	65476-00V	8-1	65537-00	13-28	65590-01V	2-12
65429-00V	55-12	65476-02V	8-6	65538-00V	13-27	65590-01V	7-1
65429-02V	51-6	65478-00V	56-70	65540-00V	60-9	65591-00V	2-12
65429-02V	52-6	65480-00V	62-1	65540-02V	60-9	65591-00V	7-1
65429-02V	53-73	65481-00V	24-5	65542-00V	60-11	65592-00V	7-2
65431-00V	8-43	65485-00V	37-50	65543-00V	60-11	65592-01V	7-2
65431-00V	9-41	65488-00V	37-49	65545-00V	31-9	65593-01V	7-15
65432-00V	33A-29a	65490-00V	37-39	65545-00V	31A-8	65594-01V	7-14

## PIPER PARTS CATALOG

Part Number	Figure and Index No.	Part Number	Figure and Index No.	Part Number	Figure and Index No.	Part Number	Figure and Index No.
65595-01V	7-18	65634-00V	13-66	65670-09V	27A-5	65726-02V	49-2
65600-00V	8-26	65635-00V	78-6	65671-00V	28-3	65726-03V	49-2
65600-00V	13-1	65636-00V	13-17	65671-02V	28-2	65726-05V	49-3
65600-02V	13-1	65639-00V	78-14	65671-03V	28-3	65726-06V	49-3
65600-02V	9-23	65640-00V	15-7	65671-04V	28-3	65727-00V	24-116
65600-03V	9-23	65642-02V	22-36	65672-05V	26-8	65727-00V	24A-54
65600-03V	13-1	65642-03V	22-36	65672-05V	27-62	65735-02V	25-67
65600-04V	9-23	65642-04V	22-37	65672-05V	27A-51	65735-03V	25-67
65600-04V	13-1	65642-05V	22-38	65673-00V	22-42	65735-03V	26-87
65603-00V	56-71	65642-05V	22A-15	65673-02V	22A-37	65735-03V	27-64
65605-02V	25-5	65642-09V	22-18	65673-03V	22A-37	65735-03V	27A-53
65605-03V	25-5	65642-09V	22-19	65674-05V	25-26	65735-04V	25-67
65605-04V	25-5	65642-10V	22-16	65674-05V	26-14	65735-05V	25-66
65610-02V	25-15	65642-11V	22-17	65674-05V	27-12	65735-06V	25-66
65610-03V	25-15	65642-12V	22-21	65674-05V	27A-9	65735-06V	26-86
65610-04V	25-15	65642-12V	22A-28	65674-06V	25-26	65735-06V	27-63
65611-00V	8-1	65642-13V	22-20	65674-06V	26-14	65735-06V	27A-52
65611-02V	8-6	65642-13V	22A-28	65674-06V	27-12	65735-07V	25-66
65611-06V	8-10	65642-14V	22-14	65674-06V	27A-9	65735-12V	27-64
65611-06V	9-18	65642-15V	22-15	65674-07V	25-26	65735-13V	27-63
65611-07V	8-7	65642-16V	22-23	65674-07V	26-14	65735-13V	27A-52
65611-07V	9-18	65642-16V	22A-26	65674-07V	27-12	65735-18V	26-87
65611-10V	8-6	65642-17V	22-22	65674-07V	27A-9	65735-18V	27-64
65611-11V	8-1	65642-17V	22A-27	65674-09V	26-14	65735-18V	27A-53
65612-02V	25-14	65642-18V	22-12	65674-09V	27-12	65735-19V	26-86
65612-03V	25-14	65642-18V	22A-24	65674-09V	27A-9	65735-19V	27-63
65612-04V	25-14	65642-19V	22-13	65674-11V	27-12	65735-19V	27A-52
65612-05V	25-14	65642-19V	22A-25	65674-11V	27A-9	65741-00V	22-33
65612-06V	25-14	65643-00V	22-44	65674-13V	27-12	65741-00V	23-17
65612-07V	25-14	65643-00V	22A-40	65674-13V	27A-9	65741-00V	23A-12
65613-02V	25-4	65644-00V	22-45	65674-15V	26-14	65741-00V	23B-12
65613-03V	25-4	65644-00V	22A-41	65674-15V	27-12	65742-00V	22-32
65613-04V	25-4	65649-00V	72-3	65674-15V	27A-9	65742-00	23-16
65613-05V	25-4	65654-00V	76-6	65675-00V	22-43	65742-00	23A-11
65613-06V	25-4	65654-02V	76-6	65675-00V	22A-36	65742-00	23B-11
65613-07V	25-4	65654-03V	76-6	65676-02V	25-14	65756-00V	55-41
65617-00V	30-11	65654-04V	76-6	65676-03V	25-14	65757-00V	55-41
65617-00V	30-36	65654-05V	76-6	65676-04V	25-14	65761-02V	28-40
65617-00V	30-44	65654-06V	76-6	65677-02V	25-4	65761-03V	28-40
65617-00V	31-7	65659-00V	22-39	65677-03V	25-4	65761-04V	28-40
65617-00V	31-27	65660-00V	22-40	65677-04V	25-4	65761-05V	28-40
65617-00V	57-49	65661-00V	22-41	65688-00V	44-3	65761-06V	28-40
65617-00V	66-94	65661-02V	22A-38	65688-01V	44-3	65761-07V	28-40
65618-00V	57-51	65664-00V	25-71	65688-02V	44-4	65761-08V	28-40
65618-00V	66-96	65664-00V	27A-27	65688-03V	44-4	65761-09V	28-40
65619-02V	24-69	65667-00V	25-70	65690-00V	4-7a	65761-10V	28-40
65619-03V	24-69	65667-00V	27-61	65690-01V	4-7a	65761-11V	28-40
65619-04V	24-69	65667-00V	27A-42	65699-00V	27-2	65763-00V	28-41
65624-00V	8-1	65668-00V	24-99	65699-00V	27A-6	65763-01V	28-41
65624-02V	8-6	65668-02V	24-99	65700-00V	28-4a	65764-02V	28-40
65626-00V	25-72	65670-02V	25-1	65700-06V	28-4a	65764-03V	28-40
65626-00V	27A-28	65670-02V	27-1	65700-07V	28-4a	65764-04V	28-40
65631-00V	24-5	65670-02V	27A-5	65704-00V	28-4	65764-05V	28-40
65631-04V	24-15	65670-03V	25-1	65704-02V	28-4	65764-06V	28-40
65631-05V	24-16	65670-03V	27-1	65715-03V	50-24	65764-07V	28-40
65631-06V	24-5	65670-03V	27A-5	65715-04V	50-22	65764-08V	28-40
65632-00V	78-13	65670-04V	27-1	65717-00V	28-19	65764-09V	28-40
65632-03V	78-13	65670-04V	27A-5	65717-02V	28-20	65773-00V	2-50
65633-00V	78-4	65670-09V	27-1	65717-03V	28-33	65774-00V	28-9

## PIPER PARTS CATALOG

Part Number	Figure and Index No.	Part Number	Figure and Index No.	Part Number	Figure and Index No.	Part Number	Figure and Index No.
65774-00V	28A-33	65830-05V	9-5	65889-00V	65-16	66599-01V	4-12
65777-00V	25-80	65830-06V	9-1	65889-00V	66-62	66601-02V	2-1
65778-00V	56-10	65830-07V	9-5	65890-00V	16-33	66601-03V	2-1
65779-00V	16-40a	65830-08V	9-1	65891-02V	16-37	66601-04V	2-1
65779-00V	17-10b	65830-09V	9-5	65895-00V	22-27	66601-05V	2-1
65780-00V	56-10	65830-10V	9-1	65895-00V	23-15	66601-06V	2-1
65782-00V	22-28	65830-11V	9-5	65895-00zv	23A-10	66601-07V	2-1
65782-00V	23-18	65830-12V	9-1	65895-00V	238-9a	66602-00V	2-4
65782-00V	23A-13	65830-13V	9-5	65896-00V	22-26	66602-00V	4-1
65782-00V	23B-9b	65830-14V	9-1	65896-00V	23-14	66602-01V	2-4
65784-00V	85-16	65830-15V	9-5	65896-00V	23A-9	66602-01V	4-1
65797-05V	20-2	65830-16V	9-1	65896-00V	238-9	66602-02V	2-4
65797-05V	21-1	65830-17V	9-5	65896-02V	22-26	66602-02V	4-1
65798-00V	23-13	65830-18V	9-1	65896-02V	23-14	66602-03V	2-4
65798-00V	23B-8	65830-19V	9-5	65896-02V	23A-9	66602-03V	4-1
65798-02V	23-13	65831-07V	17-1	65896-02V	23B-9	66609-00V	8-34
65798-02V	23B-8	65832-00V	31A-24	65898-00V	4-30	66609-00V	9-31
65798-03V	23-13	65833-00V	17-5	65898-00V	5-35	66609-00V	64-15
65798-03V	23A-8	65834-00V	17-6	65898-01V	4-30	66614-00V	5-14
65798-04V	23-13	65835-00V	17-3a	65898-01V	5-35	66616-00V	73B-15
65798-04V	23A-8	65836-00V	79-7	65898-04V	4-28	66618-00V	33-21
65799-00V	24-65a	65839-03V	17-9	65898-04V	5-33	66618-02V	33-21
65799-00V	30-65	65839-04V	17-9	65899-00V	7-5	66618-03V	33-21
65799-00V	31-54	65839-06V	17-9	66529-00V	5-28	66620-00V	3-16
65803-00V	57-3	65845-00V	10-2	66530-00V	79-7	66621-00V	3-14
65803-00V	57A-4	65845-02V	10-2	66532-00V	16-39	66623-00V	3-12
65803-02V	57-3	65845-03V	10-2	66532-00V	17-10c	66623-01V	3-12
65804-00V	57-37	65845-04V	10-2	66541-00V	10-22	66630-00V	56-3
65804-00V	57A-5	65846-00V	26-79	66541-00V	11-24	66632-00V	68-11
65804-04V	57-37	65846-00V	27-13a	66546-00V	80-30	66634-02V	66-120
65805-00V	57-2	65846-00V	27A-10a	66546-00V	81-29	66634-02V	67-9
65805-00V	57A-3	65850-00V	57B-1	66547-00V	64-4	66634-02V	67A-32
65806-00V	57-38	65852-02V	17-31	66551-00V	28-19	66634-04V	58-84
65810-00V	66-47	65861-00V	57A-29	66551-02V	28-20	66634-10V	66-120
65811-00V	66-44	65862-00V	17-10a	66551-03V	28-33	66634-10V	67-9
65813-00V	66-45	65863-00V	17-12a	66551-04V	28-19	66634-10V	67A-32
65815-04V	2-14	65865-00V	26-94	66551-05V	28-20	66635-00V	59-33
65815-04V	55-108	65865-00V	27-82	66551-06V	28-33	66641-00V	24-33
65815-05V	2-14	65865-00V	27A-73	66580-02V	68-16	66643-00V	69A-9
65815-05V	55-108	65866-00V	26-93	66580-02V	72-9	66645-00V	17-27
65816-00V	55-43	65866-00V	27-81	66580-02V	73-11	66647-00V	24-104
65821-00V	85-1	65866-00V	27A-72	66580-02V	73B-23	66648-00V	24-105
65821-02V	85-1	65867-00V	26-95	66582-00V	4-27	66652-00V	24-62
65826-00V	22-25	65867-00V	27-83	66582-01V	4-27	66652-09V	24-62
65826-00V	23-12	65867-00V	27A-74	66595-00V	2-2	66654-00V	24-25
65826-00V	23B-7	65869-00V	26-81	66595-00V	3-1	66655-00V	24-5
65826-03V	22-25	65869-00V	27-49	66595-01V	2-2	66656-00V	24-5
65826-03V	23-12	65869-00V	27A-75	66595-01V	3-1	66656-02V	24-5
65826-03V	23B-7	65870-00V	26-96	66597-00V	4-9	66657-00V	24-5
65826-05V	23-12	65870-00V	27-85	66597-01V	4-9	66657-02V	24-5
65826-05V	23A-7	65870-00V	27A-76	66598-00V	4-10	66657-03V	24-5
65826-06V	23-12	65871-00V	26-97	66598-00V	4-11	66658-00V	79-7
65826-06V	23A-7	65871-00V	27-84	66598-00V	5-9	66659-00V	79-1
65827-00V	56-55	65871-00V	27A-77	66598-00V	5-10	66661-00V	82-5
65827-00V	57-27	65879-00V	28-33a	66598-01V	4-10	66662-00V	56-1
65830-00V	9-1	65881-00V	28-19	66598-01V	4-11	66662-00V	57A-2
65830-02V	9-5	65881-02V	28-20	66598-01V	5-9	66662-14V	33-24
65830-03V	9-6	65881-03V	28-33	66598-01V	5-10	66662-14V	57A-2
65830-04V	9-1	65889-00V	64-18	66599-00V	4-12	66670-00V	26-83

## PIPER PARTS CATALOG

Part Number	Figure and Index No.	Part Number	Figure and Index No.	Part Number	Figure and Index No.	Part Number	Figure and Index No.
66676-03V	51-110	66694-03V	8-10	66730-00V	14-24	66788-05V	26-92
66677-00V	62-11	66694-04V	8-7	66734-03V	17-1	66788-06V	26-92
66679-00V	8-37	66694-05V	8-1	66735-00V	17-3	66788-07V	26-92
66681-00V	51-23	66694-07V	8-1	66736-00V	17-9	66789-00V	31A-54
66682-02V	26-4	66694-08V	8-6	66744-00V	69A-7	66789-00V	31B-9
66682-03V	26-4	66694-09V	8-1	66744-02V	69A-7	66789-00V	32-13
66682-04V	26-4	66694-10V	8-6	66746-00V	69A-13	66789-00V	51-66
66682-05V	26-4	66694-11V	8-1	66747-00V	69A-19	66789-00V	54-29
66683-02V	26-3	66694-12V	8-6	66748-00V	69A-12	66789-00V	57A-39
66683-03V	26-3	66695-00V	10-12h	66750-00V	33-27a	66789-00V	57A-40
66683-04V	26-3	66695-00V	17-70	66751-00V	85-18	66789-00V	58-35
66683-05V	26-3	66696-00V	17-54	66757-00V	85-7	66789-00V	58-36
66684-02V	24-69	66699-00V	8-12	66761-02V	3-10	66789-00V	59-37
66684-03V	24-69	66699-02V	8-21	66761-03V	3-10	66789-00V	68-6
66684-04V	24-69	66699-02V	10-1	66762-00V	4-18	66793-00V	24-1
66684-05V	24-69	66699-05V	8-23a	66762-00V	5-21	66793-10V	24-1
66684-06V	24-69	66699-06V	8-12	66766-00V	6-7	66793-18V	24A-1
66684-07V	24-69	66699-07V	8-21	66766-01V	6-7	66795-00V	14-6
66684-08V	24-69	66699-07V	10-1	66767-00V	2-13	66796-00V	14-2
66684-09V	24-69	66704-00V	60-9	66767-00V	6-1	66798-00V	86-21
66685-02V	26-6	66704-02V	60-10	66767-01V	2-13	66798-00V	86A-9
66685-03V	26-6	66706-00V	10-2	66767-01V	6-1	66800-00V	86-10
66685-04V	26-6	66706-02V	10-2	66767-02V	2-13	66800-02V	27-40
66685-05V	26-6	66706-03V	10-2	66767-02V	6-1	66802-02V	27A-23
66685-06V	26-6	66709-02V	26-43	66767-03V	2-13	66802-03V	27-40
66685-07V	26-6	66709-03V	26-43	66767-03V	6-1	66802-03V	27A-23
66685-08V	26-6	66709-04V	26-43	66768-00V	51-5	66802-04V	27-40
66685-09V	26-6	66709-05V	26-43	66768-00V	53-33	66802-04V	27A-23
66686-02V	26-5	66709-06V	26-43	66768-00V	55-50	66802-05V	27-40
66686-03V	26-5	66709-08V	26-43	66769-00V	15-31	66802-05V	27A-23
66686-04V	26-5	66709-09V	26-43	66770-00V	2-3	66802-06V	27-40
66686-05V	26-5	66709-10V	26-43	66770-00V	3-19	66802-06V	27A-23
66686-06V	26-5	66709-11V	26-43	66770-01V	2-3	66802-07V	27-40
66686-07V	26-5	66709-12V	26-43	66770-01V	3-19	66802-07V	27A-23
66686-08V	26-5	66710-16V	26-10a	66770-02V	2-3	66802-08V	27-40
66686-09V	26-5	66710-16V	27-87	66770-02V	3-19	66802-08V	27A-23
66686-10V	26-5	66710-16V	27A-78	66770-04V	2-3	66802-09V	27-40
66686-11V	26-5	66710-17V	24-68a	66770-04V	3-19	66802-10V	27A-23
66686-12V	26-5	66710-17V	24A-9	66771-00V	3-20	66804-00V	25-68
66686-13V	26-5	66710-21V	4-68c	66771-01V	3-20	66804-00V	26-42
66686-14V	26-5	66710-21V	26-11a	66772-00V	3-21	66804-00V	27-77
66686-15V	26-5	66710-26V	24-68c	66772-01V	3-21	66804-00V	27A-65
66686-16V	26-5	66710-26V	27-88a	66772-02V	3-21	66805-00V	25-69
66686-17V	26-5	66710-26V	27A-79a	66772-04V	3-21	66805-00V	26-41
66687-02V	26-50	66710-44V	24-68c	66773-00V	57B-6b	66805-00V	27-78
66687-03V	26-50	66710-44V	24A-10	66773-00V	57C-14	66805-00V	27A-66
66687-04V	26-50	66710-44V	26-11a	66773-00V	59-9b	66815-00V	51-78a
66687-05V	26-50	66710-44V	27-88a	66773-00V	67A-14a	66815-00V	52-80a
66687-06V	26-50	66710-44V	27A-79a	66774-00V	57B-12a	66815-00V	53-95
66687-08V	26-50	66711-02V	26-1	66774-00V	57C-15	66815-00V	54-76a
66687-09V	26-50	66711-04V	26-1	66774-00V	59-11	66815-00V	55-99a
66687-10V	26-50	66711-05V	26-1	66774-00V	67A-19a	66815-00V	55-111a
66687-11V	26-50	66713-00V	69A-10	66787-00V	26-105	66817-00V	51-78
66687-12V	26-50	66713-00V	70-11	66787-00V	27-110	66817-00V	52-80
66688-00V	13-27	66722-00V	62-10	66788-00V	26-92	66817-00V	53-94
66689-00V	13-24	66724-00V	17-5	66788-01V	26-92	66817-00V	54-76
66689-03V	13-24	66725-00V	17-6	66788-02V	26-92	66817-00V	55-99
66694-00V	8-1	66728-00V	14-25	66788-03V	26-92	66817-00V	55-111
66694-02V	8-6	66729-00V	14-26	66788-04V	26-92	66820-00V	37-59

## PIPER PARTS CATALOG

Part Number	Figure and Index No.	Part Number	Figure and Index No.	Part Number	Figure and Index No.	Part Number	Figure and Index No.
66820-00V	39-17	66923-02V	27A-4	66930-05V	26-3	66980-00V	31B-2
66821-04V	43-7	66923-03V	27-26	66931-00V	10-12j	66980-00V	31B-31
66822-07V	50-26	66923-03V	27A-4	66931-00V	11-16	66980-00V	32-3
66822-08V	50-27	66923-04V	27-26	66932-00V	80-40	66980-00V	32-40
66835-00V	57B-31	66923-04V	27A-4	66932-00V	81-37	66980-00V	57B-42
66835-00V	57C-26	66923-05V	27-26	66934-00V	80-41	66980-00V	57C-35
66835-00V	59-33	66923-05V	27A-4	66934-00V	81-38	66980-00V	59-56
66836-02V	59-61	66923-06V	27-26	66936-02V	24-69	66980-00V	84-12
66836-04V	57C-23	66923-06V	27A-4	66936-03V	24-69	66980-02V	76-55
66837-00V	93-6	66923-07V	27-26	66936-04V	24-69	66982-02V	26-6
66838-00V	93-18	66923-07V	27A-4	66936-05V	24-69	66982-03V	26-6
66844-00V	24-4	66923-08V	27-26	66936-06V	24-69	66982-04V	26-6
66847-00V	60-20	66923-09V	27-26	66936-07V	24-69	66982-05V	26-6
66848-00V	24-5	66923-10V	27-26	66936-08V	24-69	66982-06V	26-6
66848-02V	24-5	66923-11V	27-26	66936-09V	24-69	66982-07V	26-6
66848-04V	24-15	66923-12V	27-26	66936-10V	24-69	66982-08V	26-6
66848-05V	24-5	66923-13V	27-26	66936-11V	24-69	66982-09V	26-6
66849-00V	24-5	66924-02V	27-24	66936-12V	24-69	66983-06V	17-1
66849-02V	24-16	66924-02V	27A-2	66936-13V	24-69	66983-07V	17-1
66849-03V	24-5	66924-03V	27-24	66940-00V	28-41	66983-08V	17-1
66855-00V	57B-31	66924-03V	27A-2	66940-00V	28A-42	66983-09V	17-1
66856-07V	57B-21	66924-04V	27-24	66940-01V	28-41	66983-12V	17-1
66856-19V	31B-35	66924-04V	27A-2	66940-01V	28A-42	66983-13V	17-1
66856-19V	57B-21	66924-05V	27-24	66947-00V	22A-36	66983-15V	17-1
66894-00V	60-13	66924-05V	27A-2	66950-00V	32D-1	66984-00V	28B-1
66894-02V	60-13	66924-06V	27-24	66950-01V	32D-1	66984-01V	28B-1
66894-03V	60-13	66924-16V	27A-2	66950-02V	32D-1	66984-02V	28B-1
66898-00V	22A-38	66924-07V	27-24	66950-03V	32D-1	66984-03V	28B-1
66906-00V	60-9	66924-07V	27A-2	66955-00V	15-18	66984-04V	28B-2
66906-02V	60-9	66924-08V	27-24	66956-00V	32D-9	66984-05V	28B-2
66913-00V	24-63	66924-09V	27-24	66957-00V	32D-8	66984-06V	28B-3
66913-02V	24-63	66924-10V	27-24	66959-00V	32D-4	66984-07V	28B-3
66913-04V	24-63	66924-11V	27-24	66962-00V	32D-2	66984-08V	28B-3
66914-00V	24-64	66924-12V	27-24	66964-00V	50A-15	66984 09V	28B-3
66914-02V	24-64	66924-13V	27-24	66964-02V	32D-7	66985-00V	17-5
66914-03V	24-64	66925-02V	27-25	66964-02V	50A-16	66987-00V	27-72
66915-00V	24-64a	66925-02V	27A-3	66965-00V	32D-6	66989-00V	27A-62
66916-00V	24-64a	66925-03V	27-25	66965-00V	32E-37	66992-00V	28B-2a
66918-07V	17-1	66925-03V	27A-3	66968-00V	12-18	66993-00V	67A-34
66918-13V	17-1	66925-04V	27-25	66968-01V	12-18	66994-00V	67A-36
66918-16V	17-1	66925-04V	27A-3	66969-02V	12-18	66996-00V	27-21
66922-02V	27-23	66925-05V	27-25	66969-03V	12-18	66999-02V	17-4
66922-03V	27-23	66925-05V	27A-3	66970-02V	70-22	66999-04V	17-4
66922-04V	27-23	66925-06V	27-25	66970-03V	70-23	67016-02V	2-1
66922-05V	27-23	66925-06V	27A-3	66972-00V	50A-5	67016-03V	2-1
66922-06V	27-23	66925-07V	27-25	66973-00V	50A-7	67016-06V	2-1
66922-07V	27-23	66925-07V	27A-3	66974-00V	15-36	67016-07V	2-1
66922-08V	27-23	66925-08V	27-25	66975-00V	50-1	67023-00V	39-9
66922-09V	27-23	66925-09V	27-25	66975-00V	50A-1	67024-00V	38-23
66922-10V	27-23	66925-10V	27-25	66975-03V	50-1	67024-01V	38-23
66922-11V	27-23	66925-11V	27-25	66975-03V	50A-1	67025-02V	38-13
66922-12V	27-23	66925-12V	27-25	66978-00V	32D-5	67025-05V	38-10
66922-13V	27-23	66925-13V	27-25	66979-00V	57B-3	67025-06V	38-10
66922-15V	27A-1	66926-03V	68-17	66979-00V	57C-3	67026-05V	39-12
66922-16V	27A-1	66926-04V	68-17	66979-00V	59-3	67026-07V	35-3
66922-17V	27A-1	66927-00V	68-25	66979-00V	67A-3	67026-07V	35-26
66922-18V	27A-1	66930-02V	26-3	66980-00V	31A-2	67026-07V	35-32
66922-19V	27A-1	66930-03V	26-3	66980-00V	31 A-6	67026-07V	39-11
66923-02V	27-26	66930-04V	26-3	66980-00V	31A-44	67026-07V	39-20

## PIPER PARTS CATALOG

Part Number	Figure and Index No.	Part Number	Figure and Index No.	Part Number	Figure and Index No.	Part Number	Figure and Index No.
67026-11V	35-23	67108-00V	75-36	67198-00V	38-54	67221-00V	67A-11
67028-00V	38-24	67109-00V	34-8	67202-00V	38-35	67223-00V	57B-2
67031-02V	38-22	67114-00V	34-56	67203-00V	33-7	67223-00V	57C-2
67031-03V	38-22	67119-49V	58-85	67203-00V	38-38	67223-00V	67A-2
67036-00V	39-18	67119-57V	58-85	67205-00V	32-1	67223-03V	59-2
67037-06V	39-16	67120-00V	11-8	67205-01V	32-1	67224-00V	57B-30
67040-12V	38-2	67120-02V	10-7	67205-02V	32-1	67224-00V	59-27
67040-13V	38-2	67120-04V	10-7	67205-03V	32-1	67224-03V	57B-30
67042-12V	38-6	67120-05V	11-8	67205-05V	32-1	67224-03V	57C-25
67045-00V	2-4	67120-06V	10-7	67206-00V	57B-29	67224-03V	59-27
67045-00V	5-1	67120-07V	10-7	67206-00V	59-26	67225-00V	57B-52
67045-01V	2-4	67120-09V	11-8	67206-02V	57B-29	67225-00V	57C-27
67045-01V	5-1	67120-10V	10-7	67206-02V	57C-24	67225-00V	59-28
67046-00V	75-42	67120-11V	10-7	67206-02V	59-26	67227-05V	17-9
67046-01V	75-42	67120-12V	11-8	67210-00V	59-1	67227-07V	17-9
67050-07V	35-2	67120-13V	10-7	67210-02V	57C-1	67227-08V	17-9
67054-03V	35-22	67120-14V	10-7	67210-02V	67A-1	67227-10V	17-9
67055-00V	5-13	67120-15V	11-8	67210-03V	59-1	67227-11V	17-9
67055-01V	5-13	67120-16V	10-7	67210-04V	57C-1	67227-12V	17-9
67058-00V	5-14a	67120-17V	10-7	67210-08V	57C-1	67227-15V	17-9
67058-01V	5-14a	67125-00V	10-12f	67213-00V	57C-4	67227-16V	17-9
67060-00V	4-4	67125-00V	11-14	67213-00V	59-4	67227-17V	17-9
67060-00V	5-3	67134-00V	58-31	67213-00V	67A-4	67228-02V	17-4
67060-01V	4-4	67135-03V	46-21	67214-00V	57B-4	67228-04V	17-4
67060-01V	5-3	67135-03V	47-11	67214-00V	57C-5	67228-09V	17-4
67061-00V	4-6	67137-00V	10-39	67214-00V	59-5	67229-00V	17-7
67061-00V	5-4	67137-00V	11-34	67214-00V	67A-5	67229-04V	17-7
67061-01V	4-6	67138-00V	10-38	67215-00V	57B-8	67229-06V	17-7
67061-01V	5-4	67138-00V	11-36	67215-00V	59-12	67230-07V	17-1
67062-00V	5-5	67139-00V	10-42	67215-00V	67A-9	67231-06V	17-3
67062-01V	6-5	67139-00V	11-37	67215-03V	57B-8	67231-07V	17-3
67065-00V	5-50	67140-00V	11-38	67215-03V	57C-9	67231-08V	17-3
67066-00V	75-37	67140-02V	10-43	67215-03V	59-12	67231-09V	17-3
67070-02V	5-25	67148-00V	35-30	67215-03V	67A-9	67231-11V	17-3
67070-03V	5-25	67150-03V	34-11	67216-00V	57B-8	67231-12V	17-3
67071-00V	2-7	67155-00V	34-57	67216-00V	57C-9	67231-13V	17-3
67071-00V	38-56	67158-00V	75-38	67216-00V	59-12	67231-14V	17-3
67071-01V	2-7	67159-00V	75-39	67216-00V	67A-9	67231-15V	17-3
67071-01V	38-56	67164-00V	2-24	67217-00V	57B-7	67231-16V	17-3
67079-00V	5-40	67164-01V	2-24	67217-00V	59-6	67231-17V	17-3
67079-01V	5-40	67166-00V	5-51	67218-00V	57B-9	67231-18V	17-3
67090-00V	42-1	67168-00V	34-26	67218-00V	57C-10	67231-21V	17-3
67090-01V	42-1	67169-00V	34-15	67218-00V	59-13	67231-22V	17-3
67090-10V	42-1	67171-00V	83-6	67218-00V	59-24d	67231-24V	17-3
67090-11V	42-1	67173-00V	83-5	67218-00V	59-24e	67231-25V	17-3
67091-00V	42-13	67173-03V	83-5	67218-00V	67A-10	67231-26V	17-3
67093-04V	42-2	67174-00V	83-4	67218-00V	67A-18	67231-27V	17-3
67093-05V	42-2	67174-02V	83-4	67218-00V	67A-19	67231-29V	17-3
67095-00V	5-7	67176-00V	83-2	67218-02V	57B-9	67231-30V	17-3
67095-01V	5-7	67180-03V	83-1	67218-02V	57C-19	67232-06V	27-13
67096-00V	5-8	67180-04V	83-1	67218-02V	59-24d	67232-06V	67A-27
67096-01V	5-8	67189-00V	34-16	67218-02V	67A-19	67232-07V	27-13
67097-00V	5-30	67192-00V	34-30	67219-00V	81-6	67232-07V	67A-27
67097-01V	5-30	67193-00V	80-32	67219-02V	81-7	67232-08V	27-13
67100-10V	34-1	67193-00V	81-28	67220-00V	57B-6	67232-08V	27A-10
67100-10V	35-1	67193-03V	81-28	67220-00V	59-9	67232-08V	67A-27
67101-00V	2-27	67193-04V	81-28	67221-00V	57B-10	67232-09V	27-13
67106-00V	35-49	67196-00V	68-74	67221-00V	57C-11	67232-09V	27A-10
67107-00V	35-28	67196-00V	68A-22	67221-00V	59-14	67232-09V	67A-27



## PIPER PARTS CATALOG

Part Number	Figure and Index No.	Part Number	Figure and Index No.	Part Number	Figure and Index No.	Part Number	Figure and Index No.
67232-10V	27-13	67250-10V	9-5	67280-00V	13-24	67305-11V	24-69
67232-10V	27A-10	67250-11V	9-1	67281-00V	13-27	67306-00V	24-5
67232-11V	27-13	67250-12V	9-5	67281-02V	13-27	67307-00V	27-65
67232-11V	27A-10	67251-00V	9-9	67282-00V	13-28	67307-00V	27A-26
67232-12V	27-13	67251-02V	9-14	67282-02V	13-28	67307 02V	27-65
67232-12V	27A-10	67251-02V	11-1	67291-00V	12-46	67307-02V	27A-26
67232-13V	27-13	67251-04V	9-15	67291-01V	12-6	67307-03V	27-65
67232-13V	27A-10	67251-08V	9-14	67292-00V	12-71	67307-03V	27A-26
67232-15V	26-78	67251-08V	10-1	67295-00V	32-2	67311-00V	23-36
67232-15V	27-13	67251-09V	9-9	67295-01V	32-2	67311-02V	23-36
67232-15V	27A-10	67251-10V	9-14	67301-02V	27-23	67312-00V	23-36
67232-17V	27-13	67251-10V	11-1	67301-03V	27-23	67312-02V	23-36
67232-17V	27A-10	67251-11V	9-14	67301-04V	27-23	67313-00V	23-37
67232-17V	67A-27	67251-11V	10-1	67301-05V	27-23	67313-02V	23-37
67232-18V	27-13	67251-12V	9-9	67301-06V	27A-1	67314-00V	23-37
67232-18V	27A-10	67251-13V	9-9	67301-07V	27A-1	67314-02V	23-37
67232-18V	67A-27	67251-14V	9-9	67301-08V	27A-1	67315 00V	26-76
67232-20V	27-13	67251-15V	9-9	67301-09V	27A-1	67315-00V	27-18
67232-20V	27A-10	67251-16V	9-14	67301-10V	27-23	67315 00V	27A-15
67232-20V	67A-27	67251-16V	11-1	67301-11V	27-23	67318-00V	12-68
67232-21V	27-13	67251-17V	9-14	67302-02V	27-25	67325-00V	25-43
67232-21V	27A-10	67251-17V	10-1	67302-02V	27A-3	67325-00V	27-17
67232-22V	27-13	67252-00V	9-23	67302-03V	27-25	67325-00V	27A-8
67232-22V	27A-10	67252-00V	13-1	67302-03V	27A-3	67330-02V	27-16
67232-24V	27-13	67252-02V	9-24	67302-04V	27-75	67330-03V	27-16
67232-24V	27A-10	67252-05V	9-23	67302-04V	27A-3	67330-07V	27-16
67232-24V	67A-27	67252-05V	13-1	67302-05V	27-25	67330-10V	26-77
67232-25V	27-13	67253-00V	11-2	67302-05V	27A-3	67330-10V	27-16
67232-25V	27A-10	67253-02V	11-2	67302-06V	27-25	67333-02V	93-16
67232-26V	26-78	67255-00V	11-7	67302-07V	27-25	67333-03V	93-16
67232-27V	27-13	67257-00V	11-3	67303-02V	27-26	67336-00V	27-76
67232-27V	27A-10	67257-01V	11-3	67303-02V	27A-4	67338-00V	47-1
67232-28V	27-13	67258-00V	10-27	67303-03V	27-26	67342-00V	47-2
67232-28V	27A-10	67258-00V	11-27	67303-03V	27A-4	67343 00V	31-18
67232-29V	27-13	67259-02V	10-26	67303-04V	27-26	67343-00V	31A-33
67232-29V	27A-10	67259-02V	11-28	67303-04V	27A-4	67343-00V	32-33
67232-30V	27-13	67260-00V	10-28	67303-05V	27-26	67344-00V	32-8
67232-30V	27A-10	67260-00V	11-29	67303-05V	27A-4	67345-00V	31A-28
67232-31V	27-13	67262-02V	12-37	67303-06V	27-26	67345 00V	32-28
67232-31V	27A-10	67262-03V	12-37	67303-07V	27-26	67347-00V	32-9
67232-32V	27-13	67263-00V	9-12	67304-02V	27-24	67350-00V	65-1
67232-32V	27A-10	67263-01V	9-12	67304-02V	27A-2	67351-14V	65-13
67232-40V	26-78	67266-00V	10-5	67304-03V	27-24	67352-00V	42-3
67232-41V	27-13	67266-00V	11-5	67304-03V	27A-2	67352-01V	42-3
67232-41V	27A-10	67266-02V	10-5	67304-04V	27-24	67355 00V	42-5
67235-00V	26-16	67266-02V	11-5	67304-04V	27A-2	67355-00V	65-15
67235-00V	27-74	67267-00V	12-69	67304-05V	27-24	67355-01V	42-5
67235-00V	27A-54	67267-01V	12-69	67304-05V	27A-2	67355-01V	65-15
67239-00V	27-13a	67268-00V	12-70	67304-06V	27-24	67356-200V	42-26
67239-00V	27A-10a	67268-01V	12-70	67304-07V	27-24	67356-201V	42-28
67241-00V	17-8a	67269-02V	13-46	67305-02V	24-69	67357-00V	42-17
67242-00V	39-52	67270-00V	13-2	67305-03V	24-69	67358-00V	42-18
67244-00V	34-34	67271-00V	13-4	67305-04V	24-69	67359-00V	42-19
67245-00V	35-33	67274-00V	13-41	67305-05V	24-69	67360-00V	42-20
67250-00V	9-1	67274-01V	13-41	67305-06V	24-69	67361-00V	42-21
67250-02V	9-5	67275-00V	13-42	67305-07V	24-69	67362-00V	42 22
67250-07V	9-1	67276-00V	13-46	67305-08V	24-69	67362-02V	42-24a
67250-08V	9-5	67276-03V	13-46	67305-09V	24-69	67363-00V	42-25
67250-09V	9-1	67277-00V	39-44	67305-10V	24-69	67364-00V	42-4

## PIPER PARTS CATALOG

Part Number	Figure and Index No.	Part Number	Figure and Index No.	Part Number	Figure and Index No.	Part Number	Figure and Index No.
67365-00V	11-33	67395-00V	32-32	67462-06V	16-10a	67582-03V	76-5
67367-00V	15-24	67401-00V	32-23	67462-06V	17-13a	67583-00V	84-11
67368-00V	22A-18	67401-03V	32-23	67463-00V	80-2c	67588-00V	84-44
67368-00V	23-23	67404-02V	68-3	67463-00V	81-5	67589-00V	84-43
67368-00V	23A-18	67404-03V	68-4	67466-00V	17-30	67592-02V	27-3
67368-02V	22A-19	67407-00V	70-10	67466-00V	17-50	67592-02V	27-10d
67368-03V	22A-18	67409-00V	69A-8	67467-00V	16-22	67592-03V	27-4
67368-03V	23-23	67409-00V	70-9	67467-02V	16-22	67593-02V	27-1
67368-03V	23A-18	67409-03V	69A-8	67468-00V	16-21	67593-03V	27-1
67369-00V	22A-18	67409-03V	70-9	67469-00V	10-37	67593-04V	27-1
67369-00V	23-23	67411-02V	68-32	67469-00V	11-39	67593-09V	27-1
67369-00V	23A-18	67411-03V	68-38	67471-00V	93-18	67598-00V	34-21a
67369-02V	22A-19	67411-04V	68-32	67475-00V	17-27	67600-00V	84-57
67369-03V	22A-18	67411-05V	68-36	67475-02V	17-27	67603-00V	54-87
67369-03V	23-23	67411-06V	68-40	67476-00V	54-24	67604-02V	54-53
67369-03V	23A-18	67411-07V	68-36	67485-00V	86-19	67605-00V	58-32
67370-00V	23-24	67411-08V	68-34	67487-02V	68-75	67608-00V	32-29
67371-00V	23-29	67412-02V	70-7	67490-02V	17-2a	67608-01V	31A-30
67371-00V	23A-24	67412-03V	70-8	67491-00V	80-2a	67608-01V	32-30
67371-01V	23-29	67412-04V	69A-7	67491-00V	81-3	67610-00V	31A-31
67371-01V	23A-24	67412-04V	70-7	67492-00V	86-10	67610-00V	32-31
67372-00V	23-33	67418-00V	70-25	67493-00V	90-13	67615-00V	58-65
67372-00V	23A-28	67422-02V	19-25	67494-00V	90-14	67616-00V	58-63
67372-01V	23-33	67422-03V	19-26	67494-01V	90-14	67617-00V	61-1
67372-01V	23A-28	67422-04V	69A-4	67495-00V	86-17	67618-00V	61-2
67374-00V	23-30	67422-04V	70-30	67502-00V	38-34	67619-00V	61-3
67374-01V	23-30	67422-05V	70-32	67505-00V	38-39	67620-00V	61-4
67375-00V	23-32	67422-06V	70-33	67510-00V	34-27	67622-00V	63-2
67375-00V	23A-27	67422-07V	70-34	67517-00V	61-6	67628-00V	63-10
67375-01V	23-32	67422-08V	70-35	67520-00V	84-4	67629-00V	63-6
67375-01V	23A-27	67422-09V	70-31	67521-00V	84-5	67630-00V	63-5
67376-00V	23-35	67422-10V	70-36	67524-00V	84-34	67631-00V	63-4
67376-00V	23A-30	67422-11V	70-31	67534-00V	84-46	67632-00V	63-3
67377-00V	23-34	67422-12V	70-38	67549-00V	47-2	67634-00V	63-1
67378-00V	23-34	67422-13V	70-40	67550-00V	5-14b	67638-00V	63-7
67379-00V	22A-16	67422-14V	70-39	67550-01V	5-14b	67638-05V	63-7
67379-00V	23-22	67424-07V	70-3	67552-00V	22-7	67639-08V	57B-20
67379-00V	23A-17	67424-08V	69A-6	67552-00V	23-6	67643-00V	61-5
67379-01V	22A-16	67424-08V	70-3	67553-00V	22-7	67651-00V	61-8
67379-01V	23-22	67425-00V	17-5	67553-00V	23-6	67652-00V	61-9
67379-01V	23A-17	67426-00V	17-6	67555-00V	12-19	67656-02V	54-26
67379-02V	22A-17	67427-00V	27-72	67556-00V	22-55	67657-02V	59-30
67379-03V	22A-16	67428-00V	17-11	67556-00V	23-42	67657-03V	31A-25
67379-03V	23-22	67429-02V	70-22	67556-02V	22-55	67657-03V	32-24
67379-03V	23A-17	67429-03V	70-23	67556-02V	23-42	67657-04V	32-16
67379-04V	22A-16	67431-00V	17-25	67556-02V	23A-50	67657-05V	31A-12
67379-04V	23-22	67431-04V	17-26	67556-02V	23B-37	67657-05V	31B-7
67379-04V	23A-17	67435-02V	70-12	67556-04V	23A-50	67657-06V	31A-12
67382-00V	79-12	67435-03V	70-13	67556-04V	23B-37	67658-02V	59-31
67385-00V	23-31	67436-04V	69A-11	67559-00V	84-42	67658-03V	31A-26
67385-00V	23A-26	67436-04V	70-13	67560-00V	84-2	67658-03V	32-25
67385-01V	23-31	67436-05V	70-12	67562-00V	13-20	67658-04V	32-17
67385-01V	23A-26	67437-00V	69A-12	67564-00V	76-19a	67658-05V	31A-13
67386-00V	32-5	67437-00V	70-18	67566-00V	76-19b	67658-05V	31B-8
67387-00V	32-7	67439-00V	70-5	67566-00V	84-8	67658-07V	31A-13
67389-00V	32-10	67441-02V	17-31	67572-00V	13-59	67659-00V	59-32
67390-00V	11-15	67441-03V	17-31	67574-00V	13-60	67660-00V	58-18
67390-03V	10-12g	67443-04V	80-2b	67578-00V	84-7	67661-00V	54-25
67391-00V	32-11	67445-00V	85-9	67582-00V	76-5	67664-00V	59-55
67395-00V	31A-32	67448-00V	11-39	67582-02V	76-5	67667-00V	58-78

## PIPER PARTS CATALOG

Part Number	Figure and Index No.	Part Number	Figure and Index No.	Part Number	Figure and Index No.	Part Number	Figure and Index No.
67670-00V	5-38	67700-57V	53-61	67755-00V	39-4	67822-00V	63-4
67670-01V	5-38	67700-57V	54-2	67757-00V	28-43	67823-00V	63-6
67672-00V	5-2	67700-58V	46-4	67758-00V	35-43	67824-00V	63-8
67672-01V	5-2	67700-58V	47 5	67762-02V	28-40	67825-00V	63-7
67673-00V	5-42	67700-59V	84-19	67762-02V	28A-41	67828-00V	63-2
67677-00V	5-44	67700-60V	84-18	67762-03V	28-40	67829-00V	58-78
67677-01V	5-44	67700-61V	84-26	67762-03V	28A-41	67830-00V	63-3
67678-00V	5-45	67700-62V	84-27	67762-04V	28-40	67831-00V	63-5
67678-01V	5-45	67700-85V	56-71	67762-04V	28A-41	67836-00V	28-19
67687-00V	5-17	67700-86V	56-71	67762-05V	28-40	67836-02V	28-20
67687-01V	5-17	67700-87V	57A-30	67762-05V	28A-41	67836-03V	28-33
67689-00V	5-39	67700-87V	58-28	67762-06V	28-40	67836-04V	28-19
67689-01V	5-39	67700-87V	66-16	67762-06V	28A-41	67836-06V	28-20
67690-04V	5-6	67700-88V	57A-30	67762-07V	28-40	67836-06V	28-33
67690-05V	5-6	67700-89V	58-28	67762-07V	28A-41	67837-00V	28-3
67691-00V	5-41	67700-90V	66-16	67762-08V	28-40	67837-02V	28-3
67691-01V	5-41	67702-00V	27-5	67762-09V	28-40	67837-03V	28-3
67694-00V	5-43	67702-00V	27-10c	67762-10V	28A-41	67838-00V	28-4
67700-02V	54-3	67703-02V	17-2	67768-00V	21-20	67838-02V	28-4
67700-03V	54-4	67704-00V	31A-34	67769-00V	62-17	67844-00V	58-13
67700-04V	54-6	67704-00V	32-43	67769-04V	58-15	67845-00V	58-17
67700-05V	54-5	67705-00V	31A-35	67769-04V	63-15	67846-00V	65-13
67700-06V	84-16	67705-00V	318-21	67776-00V	58-21	67846-10V	65-13
67700-07V	84-17	67705-00V	32-44	67777-00V	58-20	67847-00V	58-3
67700-08V	84-19	67706-00V	31A-36	67779-00V	58-19	67848-00V	58-86
67700-09V	84-18	67706-00V	32-45	67785-17V	26-7	67849-00V	58-14
67700-14V	84-21	67707-00V	31A-37	67785-17V	27-1	67852-02V	27-1
67700-15V	84-20	67707-00V	32-46	67785-17V	27A-5	67852-03V	27-1
67700-16V	84-22	67708-00V	31A-27	67786-00V	26-7a	67852-05V	27-1
67700-17V	84-23	67708-00V	32-42	67786-00V	27-2	67852-06V	27-1
67700-19V	84-25	67709-00V	31B-22	67786-00V	27-10a	67852-15V	27-1
67700-21V	84-26	67712-00V	31A-23	67786-00V	27A-6a	67876-00V	58 26
67700-22V	84-27	67712-00V	32-34	67790-00V	58-4	67878-00V	17-5
67700-23V	84-29	67713-00V	84-11	67790-00V	66-121	67878-02V	17-5
67700-24V	84-28	67722-00V	17-10	67790-00V	67-10	67879-00V	17-6
67700-25V	54-7	67723-00V	2-49	67790-00V	67A-21	67881-04V	54-67
67700-26V	54-8	67723-01V	2-49	67791-00V	58-5	67881-06V	54-64
67700-27V	58-28	67724-00V	58-62	67791-00V	66-122	67881-06V	54-86
67700-28V	54-9	67725-02V	58-80	67791-00V	67-1	67882-02V	54-67a
67700-29V	57A-19	67728-00V	51-121	67791-00V	67A-22	67903-02V	27-38
67700-29V	58-29	67728-00V	52-2	67793-00V	58-6	67903-03V	27A-21
67700-31V	84-24	67728-00V	53-36	67793-00V	66-123	67903-04V	27-38
67700-34V	84-30	67728-00V	54-17	67793-00V	67-11	67903-05V	27A-21
67700-35V	84-31	67728-00V	55-121	67793-00V	67A-23	67903-06V	27-38
67700-36V	53-56	67729-00V	59-22	67794-00V	58-7	67903-07V	27A-21
67700-36V	55-28	67731-00V	84-42	67794-00V	66-17	67903-08V	27-38
67700-37V	54-10	67732-00V	84-44	67794-00V	67-12	67903-09V	27A-21
67700-38V	57A-30	67738-00V	84-42	67794-00V	67A-24	67903-10V	27-38
67700-39V	51-15	67743-02V	84-43	67796-00V	62-12	67903-11V	27A-21
67700-39V	53-65	67744-00V	68-70	67797-04V	38-17	67904-02V	26-49
67700-40V	66-16	67745-00V	58-65	67797-05V	38-17	67904-02V	27-39
67700-41V	57C-30	67747-00V	84-7	67804-00V	59-32	67904-02V	27A-22
67700-41V	67A-44	67747-05V	84-7	67808-00V	61-7	67904-03V	26-49
67700-42V	56-71	67748-00V	84-2	67809-00V	61-3	67904-03V	27-39
67700-43V	51-19	67749-00V	84-58	67810-00V	61-1	67904-03V	27A-22
67700-53V	57A-30	67751-00V	34-55	67811-00V	61-2	67904-04V	26-49
67700-54V	66-16	67752-02V	34-14	67812-00V	61-4	67904-04V	27-39
67700-55V	53-56	67753-00V	39-14	67816-00V	63-1	67904-04V	27A-22
67700-56V	54-6	67755-00V	35-16	67817-00V	63-10	67904-05V	26-49

## PIPER PARTS CATALOG

Part Number	Figure and Index No.	Part Number	Figure and Index No.	Part Number	Figure and Index No.	Part Number	Figure and Index No.
67904-05V	27-39	67907-07V	27A-16	68129-00V	2-13	68460-03V	25-15
67904-05V	27A-22	67907-08V	27-33	68129-00V	6-1	68460-04V	25-15
67904-06V	26-49	67907-08V	27A-16	68129-01V	2-13	68467-00V	46-3
67904-06V	27-39	67907-09V	27-33	68129-01V	6-1	68467-00V	47-3
67904-06V	27A-22	67907-09V	27A-16	68129-02V	2-13	68472-00V	78-18
67904-07V	26-49	67907-10V	27-33	68129-02V	6-1	68484-00V	25-13
67904-07V	27-39	67907-10V	27A-16	68129-03V	2-13	68484-00V	27-27
67904-07V	27A-22	67907-11V	27-33	68129-03V	6-1	68484-00V	27A-48
67904-08V	27-39	67907-11V	27A-16	68179-00V	24-87	68484-01V	24-71
67904-08V	27A-22	67909-00V	35-15	68179-00V	24A-50	68488-00V	78-5
67904-09V	27-39	67910-00V	27-10	68179-02V	24-88	68488-02V	78-5
67904-09V	27A-22	67911-00V	27-6	68179-02V	24A-51	68488-02V	78-5
67904-10V	27-39	67917-06V	27-1	68179-02V	24A-51	68491-00V	77-90a
67904-10V	27A-22	67920-05V	17-1	68180-00V	24-85	68491-00V	78-43
67904-11V	27-39	67920-14V	17-1	68188-00V	24-20	68492-02V	25-12
67904-11V	27A-22	67921-00V	27-4	68193-07V	97-5	68492-02V	27-28
67905-02V	26-45	67921-00V	27-10b	68198-00V	72-4	68492-02V	27A-49
67905-02V	27-34	67930-00V	9-1	68198-00V	73-7	68492-05V	24-72
67905-02V	27A-17	67930-903V	9-5	68229-04V	12-67	68492-06V	25-12
67905-03V	26-45	67930-905V	9-23	68272-02V	10-12a	68492-06V	27-28
67905-03V	27-34	67930-905V	13-1	68272-02V	11-9	68492-06V	27A-49
67905-03V	27A-17	67930-908V	9-9	68272-03V	10-12b	68492-09V	24-72
67905-04V	26-45	67930-909V	9-14	68272-03V	11-10	68492-10V	25-12
67905-04V	27-34	67930-909V	11-1	68272-04V	10-12c	68492-10V	27-28
67905-04V	27A-17	67930-910V	9-19	68272-04V	11-11	68492-10V	27A-49
67905-05V	27-34	67930-910V	12-1	68273-02V	10-12d	68492-13V	27-72
67905-05V	27A-17	67972-02V	11-50	68273-02V	11-12	68492-14V	27-28
67905-06V	27-34	67982-02V	32A-44	68274-00V	12-68	68492-14V	27A-49
67905-06V	27A-17	68022-14V	28-45	68353-00V	12-42	68492-15V	24-72
67906-02V	26-47	68022-14V	28A-29	68364-00V	12-22	68492-18V	27-28
67906-02V	27-35	68022-14V	29-16	68399-02V	25-74	68492-19V	24-72
67906-02V	27A-18	68026-00V	58-33	68399-02V	27-21	68492-20V	27-28
67906-03V	26-47	68059-00V	28-20a	68399-02V	27A-30	68491-21V	24-72
67906-03V	27-35	68059-06V	28-20a	68414-03V	78-2	68499-04V	25-62
67906-03V	27A-18	68061-00V	28-19	68416-00V	25-60	68499-04V	26-90
67906-04V	26-47	68061-02V	28-20	68416-00V	26-88	68499-04V	27-69
67906-04V	27-35	68061-03V	28-33	68416-00V	27-67	68499-04V	27A-58
67906-04V	27A-18	68067-00V	28-33a	68416-00V	27A-56	68499-05V	25-62
67906-05V	27-35	68068-00V	28A-25	68416-01V	25-60	68499-05V	26-90
67906-05V	27A-18	68094-03V	27-95a	68416-01V	26-88	68499-05V	27-69
67906-06V	27-35	68094-03V	27A-83a	68416-01V	27-67	68499-05V	27A-58
67906-06V	27A-18	68098-05V	10-37	68416-01V	27A-56	68539-00V	8-31
67907-02V	26-4	68101-02V	51-124	68416-02V	27-67	68539-00V	9-27
67907-02V	27-33	68101-02V	53-42	68416-02V	27A-56	68540-00V	8-32
67907-02V	27A-16	68101-02V	54-83	68416-03V	27-67	68540-00V	9-28
67907-03V	26-44	68101-02V	55-106	68416-03V	27A-56	68540-01V	8-32
67907-03V	27-33	68101-02V	55-110	68426-00V	50-3	68540-01V	9-28
67907-03V	27A-16	68106-00V	6-8	68426-00V	50D-1	68551-00V	26-64
67907-04V	26-44	68106-01V	6-8	68427-00V	50D-10	68551-00V	27-97
67907-04V	27-33	68106-02V	6-8	68428-00V	50D-11	68551-00V	27A-85
67907-04V	27A-16	68106-03V	6-8	68429-00V	50D-6	68555-02V	24-44
67907-05V	26-44	68111-00V	3-7	68429-01V	50D-6	68555-05V	24-44
67907-05V	27-33	68113-200V	3-6	68430-00V	50D-7	68555-05V	24A-7
67907-05V	27A-16	68113-201V	3-6	68430-01V	50 D-7	68556-00V	25-60
67907-06V	26-44	68115-00V	20-21	68431-00V	50D-8	68556-00V	26-88
67907-06V	27-33	68115-00V	21-12	68431-01V	50D-8	68556-01V	25-60
67907-06V	27A-16	68116-00V	20-22	68456-02V	25-5	68556-01V	26-88
67907-07V	26-44	68116-00V	21-13	68456-03V	25-5	68557-00V	80-28
67907-07V	27-33	68119-00V	3-13	68456-04V	25-5	68557-00V	81-9
				68460-02V	25-15	68559-00V	80-32

## PIPER PARTS CATALOG

Part Number	Figure and Index No.	Part Number	Figure and Index No.	Part Number	Figure and Index No.	Part Number	Figure and Index No.
68562-00V	13-31	68770-09V	32-15	69059-02V	16-37	69255-10V	22A-35
68569-00V	8-35	68770-11V	58-35	69061-00V	67-21	69255-11V	22A-30
68569-00V	9-35	68770-14V	31A-56	69074-00V	58-69	69255-12V	22A-29
68574-02V	25-63	68770-14V	31B-10	69077-00V	80-9	69255-13V	22A-29
68574-03V	25-63	68770-14V	32-15	69077-00V	81-17	69255-14V	22A-31
68574-04V	25-63	68770-18V	51-98	69080-00V	16-64	69255-15V	22A-31
68574-05V	25-63	68770-18V	54-30	69086-00V	25-85	69256-00V	22A-39
68574-06V	25-63	68770-18V	57A-40	69086-00V	27A-14	69256-02V	22A-39
68574-07V	25-63	68770-18V	57B-47	69088-00V	55-81	69257-00V	22A-39
68574-08V	25-63	68770-18V	58-36	69088-05V	55-81	69257-02V	22A-39
68574-09V	25-63	68771-02V	31A-55	69090-02V	25-87	69269-00V	12-63
68574-10V	25-63	68771-02V	32-14	69090-03V	25-87	69273-00V	31A-37
68574-11V	25-63	68771-03V	68-60	69090-04V	25-87	69273-00V	31B-23
68574-12V	25-63	68771-06V	51-2	69091-02V	25-82	69273-00V	32-46
68574-13V	25-63	68771-06V	57A-40	69091-03V	25-82	69274-00V	31A-36
68584-00V	8-38	68771-06V	57B-47	69091-04V	25-82	69274-00V	31B-24
68584-00V	25-64	68771-08V	57A-39	69092-00v	55-76	69274-00V	32-45
68584-00V	26-91	68771-08V	57C-32	69092-02V	55-76	69275-00V	31A-45
68584-00V	27-71	68771-08V	67A-47	69093-00V	55-89	69275-00V	31B-25
68584-00V	27A-59	68771-09V	58-35	69093-02V	55-89	69275-00V	32-48
68671-00V	25-61	68771-12V	59-39	69094-02V	55-80	69276-00V	31B-26
68671-00V	26-89	68778-00V	56-51	69095-00V	13-65	69278-00V	31A-23
68671-00V	27-68	68778-00V	57-34	69121-00V	89-16	69278-00V	31B-27
68671-00V	27A-57	68778-00V	57A-44	69142-00V	89-13	69278-00V	32-34
68672-00V	25-65	68778-00V	58-44	69164-02V	67-22	69279-00V	31A-34
68674-00V	85-3	68778-00V	66-87	69165-02V	16-51	69279-00V	31B-28
68676-00V	85-4	68787-00V	64-13c	69166-00V	55-32	69279-00V	32-43
68699-02V	59-15	68787-00V	65-5	69166-01V	55-34	69282-00V	59-33
68699-03V	578-11	68787-00V	66-54	69169-00V	16-65	69283-00V	11-15
68699-03V	59-16	68804-03V	68-58	69169-00V	17-29	69283-03V	10-12g
68699-04V	59-17	68809-00V	16-25	69169-00V	17-51	69288-00V	26-75
68699-05V	57B-12	68812-02V	69A-11	69174-00V	66-47	69288-00V	27-72
68699-06V	59-15	68817-50V	8-23b	69181-00V	55-82	69288-03V	26-75
68699-06V	59-17	68817-50V	9-17	69183-00V	55-42	69301-00V	56-74
68699-06V	67A-12	68821-00V	86-9	69184-00V	55-42	69301-00V	57A-46
68699-10V	57C-12	68822-00V	88-26	69222-00V	57B-23	69316-00V	57B-45
68699-10V	59-15	68822-00V	89-15	69224-00V	24-22	69316-00V	57C-36
68699-10V	59-17	68824-00V	86-11	69229-00V	31A-24	69317-00V	56-54
68699-10V	67A-12	68825-00V	86-10	69242-00V	17-27	69317-00V	57A-29
68699-11V	57B-12	68829-00V	80-2d	69243-00V	27A-62	69318-00V	79-12
68718-03V	66-45	68876-00V	93-21	69245-00V	67A-36	69403-03V	26-65
68733-02V	25-66	68876-00V	95-1	69246-00V	67A-34	69403-03V	27-66
68733-03V	25-66	68926-00V	95-2	69247-00V	33-35	69403-03V	27A-60
68733-04V	25-66	68941-00V	93-21	69250-00V	10-2	69439-02V	28-40
68736-02V	25-67	68941-00V	95-1	69250-02V	10-2	69439-02V	28A-41
68736-03V	25-67	69011-00V	57B-43	69250-03V	10-2	69439-03V	28-40
68736-04V	25-67	69011-00V	57C-38	69251-00V	9-9	69439-03V	28A-41
68759-00V	66-40	69012-00V	57B-44	69251-02V	9-14	69439-04V	28-40
68762-00V	55-46	69012-00V	57C-39	69251-02V	10-1	69439-05V	28-40
68763-00V	55-115	69015-05V	54-68	69251-03V	9-9	69439-06V	28-40
68764-00V	55-37	69015-06V	58-40	69251-04V	9-14	69439-06V	28A-41
68765-00V	55-38	69015-07V	58-39	69251-04V	10-1	69439-07V	28-40
68765-02V	55-38	69015-50V	18-10	69252-00V	22A-34	69439-07V	28A-41
68770-03V	68-69	69031-00V	16-48	69253-00V	22A-34	69439-08V	28-40
68770-06V	57C-32	69033-00V	54-40	69255-05V	22A-33	69439-08V	28A-41
68770-06V	67A-46	69041-05V	20-2	69255-06V	22A-33	69439-09V	28-40
68770-07V	59-38	69041-05V	21-1	69255-07V	22A-32	69439-09V	28A-41
68770-08V	59-40	69042-00V	20-33	69255-08V	22A-32	69439-10V	28-40
68770-09V	31A-56	69042-02V	21-16	69255-09V	22A-35	69439-10V	28A-41

## PIPER PARTS CATALOG

Part Number	Figure and Index No.	Part Number	Figure and Index No.	Part Number	Figure and Index No.	Part Number	Figure and Index No.
69439-11V	28-40	69623-02V	50-30	69673-05V	25-82	76111-00	9-1
69439-11V	28A-41	69623-04V	50-30	69675-00V	66-50	76111-02V	9-5
69439-12V	28-40	69624-02V	50-30	69677-00V	66-21	76111-04V	9-1
69439-12V	28A-41	69652-04V	27A-97	69736-02V	2-22	76111-05V	9-5
69439-13V	28-40	69652-05V	27A-97	69783-00V	12-24	76112-00V	9-23
69439-13V	28A-41	69652-06V	25-87	69739-00V	12-26	76112-00V	13-1
69439-14V	28A-41	69652-06V	27A-97	69740-00V	12-25	76112-04V	13-2
69439-15V	28A-41	69652-07V	27A-97	69740-02V	12-25	76112-05V	13-6
69442-02V	27A-97	69652-08V	27A-97	69770-03V	33A-24	76112-06V	13-6
69442-03V	27A-97	69652-10V	25-87	69785-00V	55-102	76112-07V	9-23
69442-04V	27A-97	69652-11V	25-87	69785-01V	51-80	76112-07V	13-1
69442-05V	27A-97	69652-11V	27A-97	69785-01V	53-100	76114-0V	13-3
69442-06V	27A-97	69652-12V	27A-97	69785-01V	54-71	76115-00V	13-8
69442-07V	27A-97	69653-00V	25-85	69791-00V	64-19a	76115-01V	13-8
69442-09V	27A-97	69669-04V	27-72	69791-00V	65-14	76116-00V	13-2
69443-02V	27A-13	69669-05V	26-75	69791-00V	66-60a	76119-00V	13-41a
69443-03V	27A-13	69669-06V	26-75	69885-00V	32E-38	76119-01V	13-41a
69443-04V	27A-13	69669-13V	28A-2d	69885-02V	32E-39	76120-00V	13-62
69443-05V	27A-13	69669-13V	28C-4a	69885-03V	32E-40	76120-01V	13-62
69443-06V	27A-13	69669-14V	28A-2d	69891-02V	12-27	76121-00V	13-66
69443-07V	27A-13	69669-14V	28C 4b	69891-03V	12-27	76123-C0V	27-58
69443-16V	27A-13	69669-15V	93A-12	69891-04V	12-27	76123-00V	27A-70
69443-17V	27A-13	69669-16V	70-3a	69891-05V	12-27	76123-01V	27-58
69443-18V	27A-13	69669-17V	70-22	69891-10V	12-27	76123-01V	27A-70
69443-19V	27A-13	69669-18V	69A-13	69891-11V	12-27	76123-04V	27-58
69443-21V	27A-13	69669-20V	68-24	69891-12V	12-27	76123-04V	27A-70
69443-22V	27A-13	69669-24V	70-3b	69891-13V	12-27	76123-05V	27-58
69443-23V	27A-13	69669-25V	17-8b	70371-00V	30-9	76123-05V	27A-70
69443-24V	27A-13	69669-39V	17-12c	70371-00V	31-10	76123-12V	26-67
69443-25V	27A-13	69669-45V	27-13a	70371-02	31A-53	76123-13V	26-67
69443-26V	27A-13	69669-45V	27A-10a	70371-02	31B-14	76126-00V	13-13
69443-27V	27A-13	69669-63V	53-110	70371-02	32E-42	76129-00V	32-4
69501-00V	28-25	69669-63V	54-84	70371-02	56-49	76129-01V	31A-7
69501-00V	28A-10	69669-64V	55-83	70371-02	57-54	76129-01V	32-4
69501-02V	28A-10	69669-66V	93A-12	70371-02	57B-35	76129-02V	31A-7
69501-03V	28A-10	69669-66V	93B-8	70371-02	57C-40	76130-00V	9-9
69504-00V	55-50	69669-90V	70-3b	70371-02	59-44	76130-02V	9-14
69517-00V	17-48	69669-95V	96-9	70371-02	66-100	76130-02V	11-1
69518-00V	17-48	69669-97V	96-8	70371-03	31A-41	76130-04V	9-19
69518-04V	17-48	69669-107V	93A-15	70371-03	31A-49	76130-04V	12-1
69518-06V	17-48	69669-110V	28A-50	70371-03	31B-13	76130-05V	12-2
69520-00V	17-48	69669-114V	96-11	70371-03	32-20	76130-06V	12-4
69544-00V	17-3a	69669-117V	24A-58	70371-03	32E-42	76130-07V	12-3
69544-00V	17-67	69669-118V	24A-59	70371-03	56-48	76130-10V	9-9
69545-00V	17-3a	69669-123V	17-5	70371-03	57-55	76130-11V	9-14
69545-00V	17-67	69669-124V	17-5	70371-03	57B-36	76130-11V	11-1
69546-00V	57C-43	69669-134V	17-12	70371-03	57C-47	76130-12V	12-2
69546-00V	67-2	69669-135V	17-12	70371-03	59-43	76130-13V	12-4
69546-00V	67A-49	69669-142V	26-75	70371-03	66-101	76130-14V	12-3
69568-00V	28B-1	69669-154V	26-75	71061-00	56-72	76130-15V	9-19
69568-01V	28B-1	69669-157V	17-71	71061-00	57-31	76130-15V	12-1
69568-04V	28B-3	69669-171V	26-73	71061-00	66-13	76131-00V	12-16
69568-05V	28B-3	69669-173	72-5	72091-00	53-103	76131-01V	12-16
69571-02V	17-3b	69669-173	73-3	72091-00	51-46	76131-02V	12-16
69571-03V	17-3b	69669-185V	17-73	72091-00	54-79	76132-00V	12-5
69571-04V	17-3b	69670-02V	71-1	72091-00	55-97	76132-03V	12-5
69571-05V	17-3b	69672-00V	27A-14	72091-00	55-115	76134-00V	12-15
69571-06V	17-3b	69673-02V	25-82	73451-07	56-30	76136-00V	10-17
68571-07V	17-3b	69673-03V	25-82	73451-07	57-20	76136-00V	11-20

## PIPER PARTS CATALOG

Part Number	Figure and Index No.	Part Number	Figure and Index No.	Part Number	Figure and Index No.	Part Number	Figure and Index No.
76137-02V	10-29	76171-03V	28A-3	76211-00V	9-1	76276-04V	23A-17
76137-02V	11-32a	76172-00V	28A-15c	76211-02V	9-5	76277-00V	23A-18
76138-00V	12-57	76172-03V	28C-19	76211-03V	9-1	76277-02V	23A-18
76139-00V	12-50	76173-00V	28A-3a	76211-04V	9-5	76277-03V	23A-18
76139-02V	12-53	76173-01V	28A-3a	76212-00V	9-23	76277-04V	23A-18
76139-03V	12-54	76175-00V	28A-4	76212-00V	13-1	76278-00V	23A-18
76140-03V	12-16	76175-00V	28C-18	76212-03V	9-23	76278-02V	23A-18
76140-04V	12-16	76175-02V	28-24	76212-03V	13-1	76278-03V	23A-18
76142-00V	23-24	76175-02V	28A-4	76213-00V	9-9	76278-04V	23A-18
76143-00V	23-25	76175-02V	28B-6	76213-02V	9-14	76279-00V	12-63
76143-00V	23A-20	76175-03V	28A-4	76213-02V	10-1	76295-00V	2-4a
76145-00V	24-62	76176-00V	28C-30	76213-03V	9-9	76295-00V	3-28
76145-10V	24-62	76178-00V	28A-15b	76213-04V	9-14	76295-01V	2-4a
76150-00V	24-5	76182-00V	27-24	76213-04V	10-1	76295-01V	3-28
76150-02V	24-15	76182-03V	27-24	76218-00V	13-41	76295-02V	3-30
76150-04V	24-15	76182-04V	27-24	76218-01V	13-41	76295-03V	3-30
76158-00V	24-11	76182-05V	27-24	76219-00V	31A-4	76295-04V	3-31
76158-02V	24-11	76182-07V	27-24	76219-01V	31A-4	76295-05V	3-31
76158-03V	24-11	76186-03V	27-23	76221-00V	26-99	76297-00V	9-12
76159-00V	24-11	76186-04V	27-23	76221-00V	27-104	76297-01V	9-12
76160-02V	27-37	76186-05V	27-23	76221-00V	27A-94	76298-00V	27-72
76160-02V	27A-20	76186-06V	27-23	76222-00V	17-12a	76299-00V	9-9
76160-03V	27-37	76186-07V	27-23	76223-00V	17-12	76299-02V	9-14
76160-03V	27A-20	76187-00V	28A-15d	76239-00V	12-22	76299-02V	10-1
76160-04V	27-37	76187-00V	28C-41	76254-00V	9-1	76299-03V	9-9
76160-04V	27A-20	76191-00V	27-51	76254-02V	9-5	76299-04V	9-14
76160-05V	27-37	76191-00V	27A-50	76254-03V	9-1	76299-04V	10-1
76160-05V	27A-20	76191-02V	27-51	76254-04V	9-5	76299-07V	9-14
76160-06V	27-37	76191-02V	27A-50	76254-07V	9-5	76299-07V	10-1
76160-06V	27A-20	76193-00V	24-81	76254-08V	9-1	76299-08V	9-9
76161-02V	27-33	76193-02V	24-81	76254-09V	9-5	76299-09V	9-14
76161-02V	27A-16	76194-00V	23A-25	76254-10V	9-1	76299-09V	10-1
76161-03V	27-33	76194-01V	23A-25	76255-00V	8-15	76299-10V	9-9
76161-03V	27-16	76195-00V	23A-29	76255-00V	9-11	76305-00V	32E-5
76161-04V	27-33	76196-00V	23A-29	76256-00V	9-22	76307-00V	32E-2
76161-04V	27A-16	76197-00V	23A-19	76257-00V	9-22	76307-04V	32E-2
76161-05V	27-33	76199-02V	27-36	76261-00V	12-70	76307-07V	32E-2
76161-05V	27A-16	76199-02V	27A-19	76261-01V	12-70	76308-00V	32E-5
76161-06V	27-33	76199-03V	27-36	76262-00V	12-71	76309-00V	32B-27
76161-07V	27-33	76199-03V	27A-19	76264-00V	23A-23	76309-00V	32E-4
76161-07V	27A-16	76199-04V	27-36	76265-00V	23A-26	76311-00V	17-7
76161-08V	27-33	76199-00V	27A-19	76266-00V	23A-26	76312-00V	9-23
76161-08V	27A-16	76199-05V	27-36	76267-00V	23A-24	76312-00V	13-1
76161-09V	27-33	76199-05V	27A-19	76267-01V	23A-24	76312-02V	9-23
76161-09V	27A-16	76199-06V	27-36	76268-00V	23A-25	76312-02V	13-1
76161-10V	27-33	76199-06V	27A-19	76269-00V	23A-25	76321-00V	55-89
76161-10V	27-16	76199-07V	27-36	76270-00V	23A-27	76324-00V	33-12
76161-11V	27-33	76199-07V	27A-19	76270-01V	23A-27	76325-00V	10-31
76161-11V	27A-16	76199-03V	27-36	76272-00V	23A-28	76342-00V	28C-22
76162-00V	24-79	76199-08V	27A-19	76272-01V	23A-28	76343-00V	28C-23
76163-02V	24-69	76199-09V	27-36	76273-00V	23A-29	76345-00V	28C-26
76163-03V	24-69	76199-09V	27A-19	76274-00V	23A-29	76351-02V	28C-24
76163-04V	24-69	76199-10V	27-36	76275-00V	23A-17	76351-03V	28C-25
76163-05V	24-69	76199-10V	27A-19	76275-02V	23A-17	76359-00V	9-1
76163-06V	24-69	76199-11V	27-36	76275-03V	23A-17	76359-02V	9-5
76163-07V	24-69	76199-11V	27A-19	76275-04V	23A-17	76359-04V	9-5
76169-02V	28C-31	76205-00V	17-61	76276-00V	23A-17	76359-05V	9-1
76171-00V	28A-1	76206-00V	27-72	76276-02V	23A-17	76360-00V	9-9
76171-02V	28A-3	76206-02V	27-72	76276-03V	23A-17	76360-02V	9-14

## PIPER PARTS CATALOG

Part Number	Figure and Index No.	Part Number	Figure and Index No.	Part Number	Figure and Index No.	Part Number	Figure and Index No.
76360-02V	11-1	76476-00V	8-4	78475-04V	5-12	79152-02V	93-30
76360-03V	9-14	76476-00V	9-6	78475-05V	5-12	79154-00V	23A-6
76360-03V	11-1	76476-01V	8-4	78500-08V	5-15	79154-00V	23B-6
76360-04V	9-9	76476-01V	9-8	78500-09V	5-15	79155-00V	23A-6
76364-00V	8-12	76476-900V	8-4	78729-02V	80-1	79155-00V	23B-6
76364-02V	8-12	76476-900V	9-6	78738-02V	37-34	79156-00V	27-72
76365-00V	12-23	76476-901V	8-4	78738-03V	37-34	79157-00V	26-75
76406-00V	16-66	76476-901V	9-8	78738-04V	37-34	79157-00V	27-72
76406-00V	17-63	76477-02V	17-9	78738-05V	37-34	79160-00V	93-31
76407-03V	34-46	76489-02V	10-14	78741-02V	24-2	79161-00V	12-19
76409-00V	34-57	76489-02V	11-17	78741-02V	24-17	79171-02V	23A-37
76410-00V	33A-24	76490-02V	13-15	78741-02V	24-14	79171-02V	23B-32
76415-00V	43-1	76490-03V	13-15	79033-00V	93A-11	79171-08V	23A-35
76425-00V	34-40	76497-02V	15-60	79035-00V	32E-20	79171-09V	23A-36
76425-02V	34-40	78022-00V	2-16	79038-00V	56-80	79171-10V	23A-34
76426-03V	34-17	78022-01V	2-16	79038-00V	57A-41	79171-11V	23A-33
76434-00V	58-30	78022-14V	2-17	79038-00V	58-88	79171-13V	23A-37
76435-00V	24-15	78022-15V	2-17	79038-00V	66-124	79171-13V	23B-32
76436-00V	11-7	78022-20V	2-18	79040-00V	24-15	79171-14V	23A-32
76437-00V	11-2	78022-23V	2-18	79040-02V	24-15	79172-04V	23B-30
76437-02V	11-2	78033-00V	37-22	79044-06V	17-9	79172-05V	23B-31
76445-00V	28C-12	78035-02V	56-33	79071-00V	33A-23	79172-07V	23B-29
76462-00V	27-65	78035-03V	56-34	79072-00V	33A-22	79172-08V	23B-29
76462-00V	27A-26	78041-00V	28A-1a	79110-03V	33A-24	79173-00V	12-23
76467-00V	12-50	78041-00V	28B-2b	79110-04V	33-28	79174-00V	2-21
76467-02V	9-13	78041-00V	28C-4	79110-04V	33A-1	79174-04V	2-20
76467-02V	12-52	78041-00V	28C-9	79110-05V	33-28	79176-00V	8-18
76467-03V	12-51	78041-03V	28A-2c	79110-05V	33A-1	79176-01V	8-18
76467-04V	12-56	78041-00V	28A-2c	79112-00V	17-8	79186-00V	32E-2
76468-00V	12-20	78041-00V	28C-4	79119-00V	14-30	79186-04V	32E-2
76468-02V	12-21	78043-06V	3 35	79124-00V	17-39	79186-08V	32E-2
76468-03V	12-21	78044-00V	28A-28	79125-00V	26-100	79187-00V	32E-1
76469-946V	13-2	78049-00V	31A-11	79125-00V	27-106	79189-00V	32E-5
76469-947V	13-6	78054-02V	26-80	79125-00V	27A-9 5	79192-00V	32E-6
76469-948V	13-6	78054-02V	27-14	79125-01V	26-100	79201-00V	69A-9
76470-905V	9-23	78054-02V	27A-11	79125-01V	27-106	79207-00V	28A-10
76470-907V	9-33	78057-00V	23-39	79125-01V	27A-95	79207-00V	28C-39
76470-907V	13-61	78057-00V	23B-34	79131-00V	8-1	79209-00V	24-5
76470-907V	14-1	78057-00V	24-82	79131-02V	8-6	79209-02V	24-5
76470-908V	9-9	78082-00V	24-5	79131-03V	8-6	79209-03V	24-5
76470-909V	9-14	78082-02V	24-5	79131-04V	8-1	79209-09V	24-81
76470-910V	9-19	78082-04V	24-81	79132-00V	8-16	79228-00V	28C-3
76470-963	9-36	78082-05V	24-81	79133-00V	8-17	79229-00V	28C-27
76471-00V	9-1	78082-06V	24-5	79137-00V	23B-23	79230-00V	28A-12
76471-903V	9-5	78086-00V	23A-51	79138-00V	23B-18	79230-00V	28C-28
76471-905V	9-23	78112-02V	26-57	79139-00V	23B-19	79234-00V	12-42
76471-905V	13-1	78112-02V	27-86	79140-00V	23B-20	79235-00V	28C-29
76471-908V	9-9	78112-02V	27A-92	79140-01V	23B-21	79236-05V	26-47
76471-909V	9-14	78112-03V	26-57	79141-00V	23B-26	79236-05V	27-35
76471-909V	10-1	78112-03V	27-86	79142-00V	23B-27	79236-05V	27A-18
76471-910V	9-19	78112-03V	27A-92	79143-00V	23B-15	79236-06V	26-44
76471-910V	12-1	78112-05V	26-57	79143-02V	23B-15	79236-07V	26-44
76474-00V	9-7	78112-05V	27-86	79143-03V	23B-15	79236-10V	27-33
76474-02V	8-3	78112-05V	27A-92	79143-04V	23B-15	79236-10V	27A-16
76474-02V	9-7	78113-00V	21-6	79144-00V	23B-15	79236-11V	27-33
76474-900V	9-7	78119-00V	17-2	79144-02V	23B-15	79236-11V	27A-16
76474-902V	8-3	78123-00V	12-80	79144-03V	23B-15	79236-16V	26-45
76475-00V	9-37	78140-33V	73B-6	79144-04V	23B-15	79236-16V	27-34
76475-900V	9-37	78140-39V	73B-14	79152-00V	93-30	79236-16V	27A-17



## PIPER PARTS CATALOG

Part Number	Figure and Index No.	Part Number	Figure and Index No.	Part Number	Figure and Index No.	Part Number	Figure and Index No.
79245-00V	43-2	79337-16V	28C-2	79475-33V	24A-42	79549-963	8-40
79251-00V	28A-8a	79337-17V	28A-2	79475-34V	24A-43	79553-00V	10-21
79251-00V	28C-32	79337-17V	28C-2	79475-55V	24A-15	79553-00V	11-23
79252-00V	28A-7	79337-18V	28A-27	79475-56V	24A-15	79553-01V	10-21
79252-00V	28C-33	79362-00V	16-29	79475-57V	24A-15	79553-01V	11-23
79258-00V	13-63	79362-00V	17-37	79475-58V	24A-15	79554-02V	28A-2h
79258-01V	13-63	79363-00V	17-32	79475-59V	24A-15	79554-02V	28C-3b
79264-00V	32E-15	79364-00V	17-32	79475-60V	24A-15	79555-00V	28A-2a
79267-00V	15-36	79365-00V	17-38a	79515-03V	24A-24	79555-00V	28A-18a
79268-00V	50A-7	79366-00V	16-31	79515-04V	24A-24	79555-00V	28C-2a
79270-00V	32E-32	79366-00V	17-38a	79515-05V	24A-25	79555-01V	28A-2a
79271-00V	32E-33	79367-00V	17-35	79515-06V	24A-25	79555-01V	28C-2a
79272-00V	15-18	79370-00V	17-33	79515-07V	24A-28	79557-00V	23A-5
79275-00V	80-2	79371-00V	17-33	79515-13V	24A-22	79557-00V	23B-5
79275-00V	81-2	79376-00V	17-38	79515-15V	24A-30	79558-02V	32A-10
79276-00V	80-1	79380-00V	26-2	79515-35V	24A-21	79559-00V	26-104
79276-00V	81-1	79404-00V	26-103	79527-02V	17-66	79560-00V	90-18
79280-00V	32E-25	79404-00V	27-109	79528-00V	49-59	79561-03V	8-14
79281-00V	32E-22	79405-00V	10-45	79530-02V	24A-31	79561-03V	9-21
79282-00V	32E-23	79405-00V	11-43	79532-02V	24A-34	79561-04V	12-11a
79284-00V	32E-27	79412-02V	68-53	79535-00V	28A-3a	79561-05V	12-3
79285-00V	32E-28	79414-00V	68-54	79535-01V	28A-3a	79561-06V	12-4
79286-00V	32E-21	79427-02V	8-44	79536-00V	28A-3a	79561-07V	12-11
79287-00V	32E-26	79427-02V	9-39	79536-01V	28A-3a	79561-900V	12-2
79290-00V	32E-24	79430-00V	48-11	79538-00V	28C-14	79561-901V	12-2
79292-00V	32E-36	79434-00V	24-24	79538-01V	28C-14	79561-903V	12-9
79293-04V	32E-44	79436-00V	28A-25	79538-02V	28C-14	79562-00V	23A-21
79296-12V	12-27	79437-00V	32A-39	79538-03V	28C-14	79562-00V	23B-16
79296-13V	12-27	79440-00V	27-95	79539-00V	28C-14	79563-900V	8-7
79296-16V	23A-1	79440-00V	27A-83	79539-01V	28C-14	79563-901V	9-18
79296-16V	23B-1	79442-00V	28A-14	79539-02	28C-14	79563-904V	8-10
79296-17V	23A-2	79442-00V	28A-23	79539-03V	28C-14	79563-905V	9-18
79296-17V	23B-2	79442-00V	28C-40	79542-03V	24A-11	79566-00V	11-49
79296-18V	23A-1	79445-00V	26-82	79542-04V	24A-11	79567-00V	11-51
79296-18V	23B-1	79445-00V	27-22	79542-05V	24A-11a	79569-00V	8-23a
79296-19V	23A-2	79445-00V	27A-27	79542-06V	24A-11a	79569-00V	9-15
79296-19V	23B-2	79452-00V	24-4b	79543-02V	37-25	79569-900V	8-23a
79296-20V	23B-4	79453-00V	15-25	79545-00V	24A-8	79569-901V	9-15
79296-21V	23B-4	79455-00V	26-68	79545-02V	24A-8	79570-00V	8-8
79303-00V	32E-31	79455-00V	27-55	79545-03V	24A-8	79570-00V	8-11
79309-00V	80-2	79455-00V	27A-55	79547-00V	12-50	79570-900V	8-8
79314-00V	17-56	79456-00V	26-102	79547-02V	8-20	79570-901V	8-11
79314-02V	17-56	79456-00V	27-108	79547-02V	12-52	79572-00V	22-31
79319-00V	13-23a	79456-00V	27A-98	79547-03V	12-51	79572-00V	23-21a
79322-03V	28A-10a	79463-00V	93C-8	79549-00V	8-1	79572-00V	23A-16a
79329-00V	10-7	79463-00V	93A-16	79549-903V	8-6	79572-00V	23B-14a
79329-02V	10-7	79463-02V	93B-7	79549-905V	8-26	79573-00V	8-13
79329-03V	11-8	79468-00V	10-22	79549-905V	13-1	79573-02V	9-10
79333-00V	70-37	79468-00V	11-24	79549-907V	8-39	79573-900V	8-13
79337-00V	28A-1	79473-00V	57C-19a	79549-907V	13-61	79573-901V	9-10
79337-01V	28A-1	79473-00V	59-5a	79549-907V	14-1	79576-00V	8-25
79337-02V	28A-1	79475-00V	24A-16	79549-908V	8-12	79576-00V	9-20
79337-03V	28A-1	79475-05V	24A-15	79549-909V	8-21	79576-02V	9-20
79337-06V	28A-3	79475-07V	24A-17	79549-909V	10-1	79576-900V	8-25
79337-07V	28A-3	79475-08V	24A-18	79549-909V	10-1	79576-901V	9-20
79337-08V	28A-3	79475-09V	24A-19	79545-910V	8-24	79577-00V	9-3
79337-09V	28A-3	79475-16V	24A-16	79549-910V	12-1	79577-02V	8-9
79337-16V	28A-2	79475-20V	24A-15	79549-946V	13-2	79577-900V	9-3
79337-16V	28A-18	79475-22V	24A-19	79549-947V	13-6	79577-901V	8-9
				79549-948V	13-6		

## PIPER PARTS CATALOG

Part Number	Figure and Index No.	Part Number	Figure and Index No.	Part Number	Figure and Index No.	Part Number	Figure and Index No.
79578-00V	8-29	79739-03V	10-13	85012-72	33-2 3	95636-00V	4-14
79578-00V	9-26	79739-03V	11-32	85012-101V	56-78	95636-00V	5-16
79578-02V	8-29	79762-02V	93B-5	85012-101V	57A-49	95636-01V	4-14
79578-02V	9-26	79764-02V	28A-27	85012-101V	58-57	95636-01V	5-16
79578-03V	9-26	79781-02V	27-95	85061-00	33-6	95639-02V	3-2
79578-900V	8-29	79781-02V	27A-83	86062-56	33-22	95639-03V	3-2
79578-902V	9-26	79783-02V	26-93	86062-94	56-20	95643-06V	2-10
79578-903V	9-26	79787-02V	27-81	86062-94	66-80	95643-06V	38-32
79580-00V	8-41	79795-02	10-25	86092-82	57B-51	95643-07V	2-10
79580-00V	9-34	79795-02	11-31	86092-82	59-45	95643-07V	38-32
79580-01V	8-41	79795-03	11-30	86092-82	67A-31	96352-03V	2-30
79580-01V	9 34	79795-04	11-30	86102-56	28-22	96352-03V	2-33
79580-900V	8-41	79795-08	10-23	87319-02V	34-19	96352-03V	2-34
79580-900V	9-34	79795-09	10-24	87319-03V	34-18	96437-00V	3-34
79580-901V	8-41	79800-02V	39-3	87332-02V	28-27	96564-00V	50-29
79580-901V	9-34	79828-03V	27-100	87332-02V	28-28	96610-07V	3-29
79581-900V	8-40a	79828-03V	27A-88	87332-02V	28A-6	96611-00V	28A-15c
79581-900V	9-36a	79836-02	27-19	87332-02V	28B-4	96684-00V	26-66
79582-00V	8-28	79836-02V	27A-28	87332-02V	28C-36	96684-00V	27-57
79582-02V	9-24	79838-02V	27-19	87369-22V	84-1a	96709-00V	50-4
79582-03V	9-24	79839-03V	32B-25	87369-26V	58-92	96713-02V	50-4
79582-900V	8-28	79840-04V	32B-26	87379-03	16-16	96806-06V	28A-3
79582-901V	9-24	79863-02V	11-15	87379-03	17-14	96806-07V	28A-3
79582-902V	9-24	79863-03V	10-12G	87379-03	16-16	96806-08V	28A-3
79584-08V	32A-8	79886-03V	32A-14	87379-03	17-14	96806-09V	28A-3
79585-00V	8-27	79886-04V	32A-15	88416-01V	31A-1	96806-12V	28A-2
79585-00V	9-25	79886-07V	32A-16	90797-02	51-48	96806-12V	28C-2
79585-02V	9-25	79886-11V	32A-13	90797-02	52-48	96806-17V	28A-27
79585-900V	8-27	80012-17	29-7	90797-02	53-71	96806-22V	28A-2
79585-901V	9-25	80032-34	30-12	91193-00	31A-42	96806-22V	28C-2
79590-02V	28C-1	80032-69	51-47	91193-00	32-21	96806-23V	28A-2
79590-03V	28C-1	80032-69	52-47	91193-00	56-50	96806-23V	28C-2
79591-02V	28C-1	80032-69	53-74	91193-00	57-56	96806-24V	28A-2
79591-03V	28C-1	80032-69	55-74	91193-00	66-102	96806-26V	28A-27
79599-00V	93C-9	80122-05	24-78	95061-64V	38-55	96810-02V	28A-2a
79600-00V	16-67	80122-20	34-66	95061-91V	28A-48	96810-02V	28B-2a
79600-00V	17-68	80122-55	56-58	95061-92V	29-7	96810-02V	28C-2a
79615-02V	31A-59	80122-88	35-39	95061-106V	28A-5	96810-03V	28A-2a
79615-02V	31B-38	80122-88	39-28	95061-106V	28C-34	96810-03V	28C-2a
79615-02V	32-52	80122-89	39 26	95061-121V	57B-41	96814-00V	28A-3a
79615-03V	31A-59	80122-91	38-48	95061-144V	35-24	96814-01V	28A-3a
79615-03V	31B-38	80421-00	77-13	95061-151V	32A-11	96827-00V	28A-17
79615-03V	32-52	81262-68	24-27	95061-161V	28A-7	96827-01V	28A-17
79639-02V	12-57a	81262-74	24-51	95061-161V	28C-33	96827-06V	28A-19
79647-02V	24A-23	82371-56	56-26	95061-180V	28A-34a	96827-07V	28A-19
79650-02V	16-10b	82371-90	18-6	95061-186V	28A-34a	96827-11V	28A-17
79650-02V	17-13b	82732-75	24-55	95228-00V	68-30	96827-12V	28A-17
79655-00V	10-22	82732-76	76-49	95241-02V	17-31	96827-17V	28A-19
79702-04V	27B-4	82732-76	80-38	95241-03V	17-31	96827-18V	28A-19
79702-07V	27B 5	82732-76	81-34	95241-04V	17-31	96827-22V	28A-17
79702-09V	27B-	82732-99	34-9	95241-05V	17-31	96827-23V	28A-17
79721-20V	27B-1	83161-02	20-25	95241-07V	17-31	96827-26V	28A-19
79721-21V	27B-1	83161-02	49-34	95241-11V	17-31	96827-27V	28A-19
79721-22V	27B-2	83302-43	24-28	95241-12V	17-31	96863-00V	24-64b
79721-23V	27B-2	85012-14	16-18	95241-13V	17-31	96864-00V	24-101a
79721-24V	27B-3	85012-14	17-53	95241-14V	17 31	96866-00V	12-79
79721-25V	27B-3	85012-30	28-21	95241-15V	17-31	96868-00V	24-95c
79739-02V	10-13	85012-47	56-7 7	95241-17V	17-31	96869-00V	24-95a
79739-02V	11-32	85012-47	66-112	95504-00V	76-6	96870-00V	24-95b

## PIPER PARTS CATALOG

Part Number	Figure and Index No.	Part Number	Figure and Index No.	Part Number	Figure and Index No.	Part Number	Figure and Index No.
96872-00V	24-64c	99093-00V	28A-2a	99131-05V	27-23	99134-11V	27-26
96873-00V	12-80	99093-00V	28A-18a	99131-06V	27-23	99134-12V	27-26
96887-00V	13-23	99093-00V	28B-2a	99131-07V	27-23	99134-12V	27A-4
96887-02V	13-23	99093-07V	28A-2a	99131-08V	27-23	99134-13V	27-26
96890-00V	13-22	99094-02V	64-13c	99131-09V	27-23	99135-02V	24-69
96890-01V	13-22	99094-02V	65-5	99131-10V	27-23	99135-03V	24-69
96908-00V	26-63	99094-02V	66-54	99131-11V	27-23	99135-04V	24-69
96908-00V	28A-32	99096-00V	64-11	99131-12V	27-23	99135-05V	24-69
96908-00V	28A-33	99096-00V	65-2	99131-13V	27-23	99135-06V	24-69
96908-00V	29-5	99096-00V	66-56	99132-02V	27-25	99135-07V	24-69
96919-00V	24-83	99105-00V	32-4	99132-02V	27A-3	99135-08V	24-69
99002-06V	17-20	99105-02V	31A-3	99132-03V	27-25	99135-09V	24-69
99010-02V	17-18	99105-03V	31A-3	99132-04V	27-25	99135-10V	24-69
99022-00V	17-17	99105-03V	31B-3	99132-04V	27A-3	99135-11V	24-69
99031-00V	73A-2	99105-04V	31B-3	99132-05V	27-25	99135-12V	24-69
99035-03V	50-4	99113-02V	26-46	99132-06V	27-25	99135-13V	24-69
99038-00V	4-5	99113-03V	26-46	99132-06V	27A-3	99136-02V	27A-1
99039-00V	4-5	99113-04V	26-46	99132-07V	27-25	99136-03V	27A-1
99040-00V	4-7	99113-05V	26-46	99132-08V	27-25	99136-04V	27A-1
99040-01V	4-7	99113-06V	26-46	99132-08V	27A-3	99136-05V	27A-1
99040-02V	4-7	99113-07V	26-46	99132-09V	27-25	99136-06V	27A-1
99040-03V	4-7	99113-12V	26-46	99132-10V	27-25	99136-07V	27A-1
99044-02V	60-3	99113-13V	26-46	99132-10V	27A-3	99138-00V	17-6
99044-03V	60-4	99113-14V	26-46	99132-11V	27-25	99139-00V	27-95
99044-04V	60-5	99113-15V	26-46	99132-12V	27-25	99139-00V	27A-83
99044-05V	60-2	99113-16V	26-46	99132-12V	27A-3	99140-00V	27-94
99045-00V	13-29	99113-17V	26-46	99132-13V	27-25	99140-00V	27A-82
99047-00V	58-18	99114-02V	27-37	99133-02V	27-24	99141-03V	27-93
99059-00V	17-45	99114-02V	27A-20	99133-02V	27A-2	99141-03V	27A-81
99059-04V	17-45	99114-03V	27-37	99133-03V	27-24	99142-00V	27-96
99059-06V	17-45	99114-03V	27A-20	99133-04V	27-24	99142-00V	27A-84
99060-00V	17-44	99114-04V	27-37	99133-04V	27A-2	99143-00V	27-103
99060-00V	17-48	99114-04V	27A-20	99133-05V	27-24	99143-00V	27A-91
99060-04V	17-44	99114-05V	27-37	99133-06V	27-24	99145-02V	26-3
99060-04V	17-48	99114-05V	27A-20	99133-06V	27A-2	99145-03V	26-3
99060-06V	17-44	99114-06V	27-37	99133-07V	27-24	99145-04V	26-3
99061-00V	17-46	99114-06V	27A-20	99133-08V	27-24	99145-05V	26-3
99061-04V	17-16	99114-11V	26-48	99133-08V	27A-2	99145-06V	26-3
99061-06V	17-46	99114-12V	26-48	99133-09V	27-24	99145-07V	26-3
99061-06V	17-48	99114-13V	26-48	99133-10V	27-24	99145-08V	26-3
99062-00V	17-47	99116-00V	27-100	99133-10V	27A-2	99145-09V	26-3
99062-04V	17-47	99116-00V	27A-88	99133-11V	27-24	99146-02V	26-5
99062-00V	17-47	99116-02V	27-100	99133-12V	27-24	99146-03V	26-5
99064-00V	17-48	99116-02V	27A-88	99133-12V	27A-2	99146-04V	26-5
99064-04V	17-48	99116-03V	27-100	99133-13V	27-24	99146-05V	26-5
99064-06V	17-48	99116-03V	27A-88	99134-02V	27-26	99146-06V	26-5
99066-00V	17-48	99121-00V	68-15	99134-02V	27A-4	99146-07V	26-5
99066-04V	17-48	99122-00V	13-28	99134-03V	27-26	99146-08V	26-5
99066-06V	17-48	99123-00V	13-28	99134-04V	27-26	99146-09V	26-5
99072-00V	32A-9	99126-00V	13-24	99134-04V	27A-4	99146-10V	26-5
99077-00V	28A-19a	99126-02V	13-24	99134-05V	27-26	99146-11V	26-5
99077-01V	28A-19a	99127-00V	13-24	99134-06V	27-26	99146-12V	26-5
99077-06V	28A-3a	99127-02V	13-24	99134-06V	27A-4	99146-13V	26-5
99077-07V	28A-3a	99129-00V	13-24	99134-07V	27-26	99146-14V	26-5
99077-10V	28A-3a	99129-02V	13-24	99134-08V	27-26	99146-15V	26-5
99077-11V	28A-3a	99130-02V	68-64	99134-08V	27A-4	99146-16V	26-5
99077-16V	28A-19a	99131-02V	27-23	99134-09V	27-26	99146-17V	26-5
99077-17V	28A-19a	99131-03V	27-23	99134-10V	27-26	99147-02V	26-4
99080-00V	32A-33	88131-04V	27-23	99134-10V	27A-4	99147-03V	26-4

## PIPER PARTS CATALOG

Part Number	Figure and Index No.	Part Number	Figure and Index No.	Part Number	Figure and Index No.	Part Number	Figure and Index No.
99147-04V	26-4	99243-04V	26-7	99353-03V	28B-1	99388-02V	8-21
99147-05V	26-4	99243-05V	26-7	99353-06V	28B-2	99388-02V	10-1
99147-06V	26-4	99245-02V	27-99	99353-07V	28B-2	99388-05V	8-23a
99147-07V	26-4	99245-02V	27A-87	99353-08V	28B-3	99388-06V	8-12
99147-08V	26-4	99245-04V	27-99	99353-09V	28B-3	99388-07V	8-21
99147-09V	26-4	99245-04V	27A-87	99353-10V	28B-3	99388-07V	10-1
99148-02V	26-6	99245-05V	27-99	99353-11V	28B-3	99388-08V	8-12
99148-03V	26-6	99245-05V	27A-87	99353-14V	28B-1	99388-09V	8-23a
99148-04V	26-6	99245-06V	27-99	99353-15V	28B-1	99388-10V	8-21
99148-05V	26-6	99245-06V	27A-87	99353-18V	28B-2	99388-10V	10-1
99148-06V	26-6	99245-07V	27-99	99353-19V	28B-3	99388-14V	8-21
99148-07V	26-6	99245-07V	27A-87	99353-20V	28B-3	99388-14V	10-1
99148-08V	26-6	99252-02V	26-56	99356-00V	26-36	99389-00V	9-9
99148-09V	26-6	99252-02V	27-98	99356-02V	26-36	99389-02V	9-14
99148-10V	26-6	99252-02V	27A-86	99358-00V	29-2	99389-02V	10-1
99148-11V	26-6	99252-03V	26-56	99359-00V	29-1	99389-03V	9-9
99148-12V	26-6	99252-03V	27-98	99361-00V	28A-28	99390-00V	9-9
99148-13V	26-6	99252-03V	27A-86	99364-00V	51-122	99390-02V	9-9
99148-14V	26-6	99252-04V	26-56	99364-00V	52-117	99390-03V	9-14
99148-15V	26-6	99252-04V	27-98	99364-00V	53-110	99390-03V	10-1
99148-16V	26-6	99252-04V	27A-86	99364-00V	55-83	99390-04V	9-14
99148-17V	26-6	99252-05V	26-56	99365-00V	52-117	99390-04V	11-1
99149-02V	24-69	99252-05V	27-98	99365-00V	53-110	99390-05V	9-15
99149-03V	24-69	99252-05V	27A-86	99366-00V	55-84	99390-06V	9-9
99149-04V	24-69	99252-07V	26-56	99367-00V	54-84	99390-07V	9-15
99149-05V	24-69	99252-07V	27-98	99377-02V	69A-15	99395-00V	93-21
99149-06V	24-69	99252-07V	27A-86	99377-02V	70-14	99395-00V	95-9
99149-07V	24-69	99252-09V	27-98	99377-03V	69A-16	99395-02V	93-21
99149-08V	24-69	99252-09V	27A-86	99377-03V	70-16	99395-02V	95-9
99149-09V	24-69	99252-10V	26-56	99377-04V	21-17	99395-03V	93-21
99170-00V	68A-22	99252-10V	27-98	99377-05V	69A-14	99395-03V	95-9
99181-03V	25-51	99252-10V	27A-86	99377-05V	70-17	99398-00 V	94-5
99181-03V	26-53	99255-00V	28A-27	99377-06V	69A-17	99401-00V	94-10
99181-03V	27-90	99255-02V	28A-27	99377-06V	70-15	99406-00 V	22A-14
99184-02	27-89A	99255-03V	28A-27	99377-06V	73A-4	99416-00V	31A-1
99184-03	2789B	99263-00V	32C-3	99377-07V	73A-4	99416-00V	31B-1
99184-04	27-89C	99271-00V	32C-8	99377-16V	69A-17	99416-01V	31B-1
99184-05	27-89D	99272-00V	15-50	99377-16V	70-15	99416-02V	32-2
99198-00V	68-25	99273-00V	15-51	99377-17V	69A-15	99416-03V	32-2
99209-00V	86A-3	99275-02V	32C-4	99377-17V	70-14	99417-00V	13-44
99214-00V	17-69	99275-02V	32C-9	99377-18V	69A-16	99417-00V	13-45
99221-00V	62-2	99275-04V	32C-28	99377-18V	70-16	99418-00V	13-44
99222-02V	68-17	99278-03V	15-52	99384-00V	28A-1	99418-01V	13-44
99222-03V	68-17	99280-00V	15-59	99384-01V	28A-1	99421-00V	12-49
99222-04V	68-17	99280-01V	15-59	99384-02V	28A-1	99448-00V	86A-11
99222-09V	68-17	99289-00V	57-61	99384-03V	28A-1	99450-00V	25-58
99222-10V	68-17	99289-00V	57A-32	99384-06V	28A-2	99450-00V	27-42
99225-00V	62-1	99289-00V	66-85	99384-07V	28A-2	99450-00V	27A-25
99240-00V	26-64	99295-02V	25-50	99384-08V	28A-3	99458-00V	25-57
99240-00V	27-50	99295-13V	27-89	99384-09V	28A-3	99458-00V	26-30
99240-00V	27A-38	99295-16V	27-89	99384-10V	28A-3	99458-00V	27-76
99242-02V	28A-46	99305-08V	28B-3a	99384-11V	28A-3	99458-00V	27A-64
99242-03V	28A-46	99305-09V	28B-3a	99385-00V	28A-17	99466-00V	8-2
99242-04V	28A-46	99306-00V	73-6	99385-01V	28A-17	99466-00V	15-1
99242-06V	28A-46	99311-00V	53-78	99385-04V	28A-18	99466-02V	8-2
99242-07V	28A-46	99344-00V	95-15	99385-07V	28A-19	99466-02V	15-1
99242-13V	28A-46	99353-00V	28B-1	99385-08V	28A-19	99466-03V	8-2
99242-13V	29-8	99353-01V	28B-1	99387-00V	32C-1	99466-03V	15-1
99243-03V	26-7	99353-02V	28B-1	99388-00V	8-12	99466-04V	8-2

## PIPER PARTS CATALOG

Part Number	Figure and Index No.	Part Number	Figure and Index No.	Part Number	Figure and Index No.	Part Number	Figure and Index No.
99466-04V	15-1	99513-00V	17-7	99624-00V	32A-7	99660-02V	27-26
99466-05V	9-2	99513-03V	17 7	99631-00V	15-47	99660-02V	27A-4
99466-05V	15-1	99515-00V	64-20	99633-00V	32B-8	99660-03V	27-26
99466-09V	8-2	99515-02V	64-20a	99633-00V	32E-14	99660-03V	27A-4
99466-09V	15-1	99515-03V	64-20b	99634-00V	32B-26	99660-04V	27-26
99466-10V	9-2	99521-00V	68A-4	99635-09V	26-52	99660-04V	27A-4
99466-10V	15-1	99522-02V	32B-22	99635-09V	27-89	99660-05V	27-26
99466-12V	8-2	99523-00V	56-70	99640-00V	32B-1	99660-05V	27A-4
99466-12V	15-1	99526-00V	32A-31	99640-02V	32B-1	99660-06V	27-26
99466-13V	8-2	99528-00V	68A-20	99640-03V	32B-2	99660-06V	27A-4
99466-13V	15-1	99537-00V	68A-1	99640-04V	32B-2	99660-07V	27-26
99466-14V	9-2	99537-02V	68A-1	99641-00V	32B-6	99660-07V	27A-4
99466-14V	15-1	99539-00V	32B-28	99641-00V	32E-12	99660-08V	27-26
99466-15V	9-2	99539-02V	32B-28	99642-03V	32E-9	99660-09V	27-26
99466-15V	15-1	99541-00V	32B-22	99644-00V	32B-30	99660-10V	27-26
99466-16V	9-2	99541-02V	32B-22	99646-02V	32B-9	99660-11V	27-26
99466-16V	15-1	99545-00V	15-55	99648-00V	32B-12	99660-12V	27-26
99466-17V	9-2	99549-07V	15-3	99650-00V	32B-13	99660-13V	27-26
99466-17V	15-1	99549-08V	15-3	99656-03V	27A-1	99661-00V	32B-15
99468-00V	15-2	99550-02V	32B-29	99656-04V	27A-1	99662-02V	27-23
99468-03V	15-2	99550-03V	32B-29	99656-05V	27A-1	99662-03V	27-23
99469-04V	15-6	99552-00V	15-53	99656-06V	27A-1	99662-04V	27-23
99470-00V	15-3	99552-02V	15-53	99656-07V	27A-1	99662-05V	27-23
99470-01V	15-3	99555-00V	15-56	99657-02V	27-25	99662-06V	27-23
99471-00V	15-5	99557-00V	32C-22	99657-02V	27A-3	99662-07V	27-23
99471-01V	15-5	99558-00V	15-54	99657-03V	27-25	99667-02V	17-3b
99471-02V	15-5	99559-00V	15-4	99657-03V	27A-3	99667-03V	17-3b
99471-03V	15-5	99559-01V	15-4	99657-04V	27-25	99667-04V	17-3b
99478-00V	17-23	99561-00V	15-49	99657-04V	27A-3	99667-05V	17-3b
99479-02V	16-63	99561-00V	32C-25	99657-05V	27-25	99667-06V	17-3b
99479-02V	17-43	99568-00V	60-11	99657-05V	27A-3	99667-07V	17-3b
99480-00V	17-49	99569-00V	32C-27	99657-06V	27-25	99670-00V	17-59
99482-00V	60-13	99572-00V	32C-26	99657-06V	27A-3	99672-08V	17-3
99482-02V	60-13	99572-04V	32C-26	99657-07V	27-25	99672-09V	17-3
99484-00V	17-8	99573-00V	62-5	99657-07V	27A-3	99672-10V	17-3
99487-00V	15-57	99577-00V	62-2	99657-08V	27-25	99672-11V	17-3
99487-01V	15-57	99578-00V	62-4	99657-09V	27-25	99672-12V	17-3
99488-00V	15-58	99580-00V	32A-32	99657-10V	27-25	99672-13V	17-3
99495-00V	32C-5	99589-00V	63-9	99657-11V	27-25	99672-14V	17-3
99496-00V	15-48	99591-00V	50-56	99657-12V	27-25	99672-15V	17-3
99496-02V	15-48	99591-00V	50-56	99657-13V	27-25	99672-16V	17-3
99498-00V	15-61	99592-02V	32A-19	99657-13V	27-24	99672-17V	17-3
99499-00V	58-8	99592-03V	32A-22	99658-02V	27A-2	99672-18V	17-3
99499-00V	66-18	99592-04V	32A-22	99658-03V	27-24	99672-19V	17-3
99499-00V	67-13	99592-05V	32A-19	99658-03V	27A-2	99674-00V	68A-3
99499-00V	67A-25	99592-06V	32A-22	99658-04V	27-24	99678-00V	28A-2e
99500-00V	32B-17	99592-07V	32A-19	99658-04V	27A-2	99678-01V	28A-2e
99500-04V	32B-17	99594-00V	63-10	99658-05V	27-24	99678-02V	28A-2e
99500-06V	32B-17	99595-00V	63-2	99658-05V	27A-2	99678-03V	28A-2e
99500-06V	32E-1	99600-00V	61-8	99658-06V	27-24	99678-04V	28A-2e
99500-08V	32E-1	99601-00V	61-5	99658-06V	27A-2	99678-05V	28A-2e
99503-02V	32B-25	99607-00V	50-5	99658-07V	27-24	99678-007	28A-2e
99505-00V	32B-27	99609-00V	15-11	99658-07V	27A-2	99678-08V	28A-2e
99505-02V	32B-27	99610-00V	93-12	99659-02V	24-69	99678-09V	28A-2e
99505-02V	32E-4	99610-02V	93-13	99659-03V	24-69	99678-10V	28A-2e
99506-00V	32B-25	99615-00V	15-46	99659-04V	24-69	99678-11V	28A-2e
99507-00V	32B-25	99615-01V	15-46	99659-05V	24-69	99678-12V	28A-2e
99510-00V	32B-27	99619-02V	50-15	99659-06V	24-69	99678-13V	28A-2e
99510-02V	32B-27	99621-00V	50-16	99659-07V	24-69	99680-08V	93-22

## PIPER PARTS CATALOG

Part Number	Figure and Index No.	Part Number	Figure and Index No.	Part Number	Figure and Index No.	Part Number	Figure and Index No.
99681-00V	28A-2f	99727-15V	28A-2	99853-00V	32C-16	99967-00V	26-98
99681-01V	28A-2f	99727-16V	28A-1	99854-00V	32C-11	99967-00V	27-105
99681-02V	28A-2f	99727-17V	28A-1	99856-00V	78-55	99967-00V	27A-93
99681-03V	28A-2f	99727-20V	28A-2	99862-00V	68A-18	99968-00V	26-98
99681-04V	28A-2f	99727-23V	28A-2	99867-00 V	32C-18	99968-00V	27-105
99681-05V	28A-2f	99727-24V	28A-2	99868-00V	50-5	99968-00V	27A-93
99681-06V	28A-2f	99727-25V	28A-2	99875-00V	17-12	99985-00 V	66-41
99681-07V	28A-2f	99730-00V	28A-17	99878-00V	23B-26	99990-00V	23A-41
99681-08V	28A-2f	99730-01V	28A-17	99878-01V	23B-27	99990-00V	23B-35
99681-09V	28A-2f	99730-04V	28A-18	99879-00V	23B-25	99990-00V	24-110
99681-10V	28A-2f	99730-07V	28A-19	99885-00 V	17-5	99991-00V	26-101
99681-11V	28A-2f	99730-08V	28A-19	99885-02V	17-5	99991-00V	27-107
99681-12V	28A-2f	99735-00V	17-12	99886-00V	17-6	99991-00V	27A-96
99681-13V	28A-2f	99735-02V	17-12	99887-02	93A-8	99997-00V	23A-40
99686-00V	12-74	99735-03V	17-10a	99887-04V	93B-9	99997-00V	23B-36
99686-01V	12-74	99735-03V	17-12	99887-06V	93C-7	99997-00V	24-111
99687-00V	12-77	99737-02V	27-14	99888-00V	93A-9	99997-00V	24A-11b
99687-01V	12-77	99737-02V	27A-11	99888-00V	93B-10	99999-00V	68A-27
99688-00V	12-75	99738-02V	27-15	99889-00V	93A-10	105041-02	39-7
99688-01V	12-75	99738-03V	27-15	99889-00V	93B-11	106680-02	35-11
99689-00V	12-78	99741-00V	12-76	99903-02V	23B-30		
99690-00V	12-74	99741-01V	12-76	99903-03V	23A-32		
99690-01V	12-74	99744-00V	68-25	99903-03V	23B-29	151 310	77-14
99691-00V	12-77	99745-00V	68-21	99903-04V	23B-31	179 872V	2-23
99691-01V	12-77	99748-00V	32D-1	99903-05V	23A-37	179-876	misc
99692-00V	12-75	99748-01V	32D-1	99903-05V	23B-32	187 625	33A-20
99692-01V	12-75	99753-00V	31A-24	99904-02V	23A-34	187 630V	35-10
99693-00V	12-78	99771-00V	62-3	99904-03V	23A-35	187 630V	39-6
99696-00V	69A-6	99783-00V	24-67	99904-04V	23A-36	189 139V	24A-2
99696-00V	70-3	99792-00V	63-1	99904-05V	23A-33	400 002	28A-10c
99699-00V	14-27	99799-02V	50-28	99920-02V	27-15	400 002	28C-46
99700-00V	14-10	99801-00V	27-14	99920-02V	27A-12	400 002	63-11
99700-01V	14-10	99801-00V	27A-11	99920-03V	27-15	400 002	72-11
99700-02V	14-10	99801-02V	27-14	99920-03V	27A-12	400 003	37-15
99700-03V	14-10	99801-02V	27A-11	99921-00V	17-60	400 003	43-8
99701-00V	14-16a	99802-02V	50-28	99927-04V	27A-13	400 003	43-9
99714-00V	26-39	99803-03V	50-28	99927-07V	27A-13	400 003	50-35
99715-00V	26-37	99805-03	15-44	99927-10V	27A-13	400 003	50-43
99715-00V	26-62	99807-00V	17-5	99927-20V	27A-13	400 003	50D-25
99717-00V	68A-2	99807-00V	67A-34	99927-21V	27A-13	400 004	2-35
99717-00V	68A-26	99808-00V	17-6	99929-00V	57B-49	400 004	28A-39
99718-01V	28A-16a	99808-00V	67A-36	99934-00V	31A-8	400 004	29-12
99718-01V	28C-5	99811-00V	27-72	99943-00V	23A-31	400 004	38-51
99718-05V	28A-16a	99811-02V	26-75	99943-00V	23B-28	400 004	38-52
99718-05V	28C-5	99813-02	15-44	99943-00V	24-112	400 004	50D-26
99718-06V	28C-5	99818-00V	26-26	99943-00V	24A-13	400 004	76-42
99719-03V	28C-6	99818-00V	27-79	99944-02V	57-18	400 008	74-45
99719-16V	28C-7	99818-00V	27A-31	99944-02V	57A-25	400 008	75-46
99719-19V	28C-7	99819-00V	27-79	99944-04V	66-4	400 008	82-8
99721-02V	28A-2g	99841-00V	93-3	99948-00V	29-2	400 008	83-7
99721-03V	28A-2g	99841-04V	93-3	99949-00V	29-1	400 009	2-44
99724-00V	28A-9	99849-02V	56-33	99950-00V	17-61	400 009	28-15
99727-01V	28A-1	99849-03V	56-34	99952-00V	17-62	400 009	28A-40
99727-03V	28A-1	99849-04V	56-34	99959-00 V	17-9	400 009	32A-17
99727-07V	28A-2	99849-06V	58-73	99959-02V	17-9	400 012	76-4
99727-08V	28A-3	99849-07V	58-74	99959-03V	17-9	400 015	36-11
99727-09V	28A-3	99850-00V	27A-12	99959-04V	17-9	400 025	80-25
99727-10V	28A-3	99850-01V	27A-12	99959-05V	17-9	400 054	49-46
99727-11V	28A-3	99851-00V	68A-9	99959-07V	17-9	400 054	57B-41

## PIPER PARTS CATALOG

Part Number	Figure and Index No.	Part Number	Figure and Index No.	Part Number	Figure and Index No.	Part Number	Figure and Index No.
400 055	57B-56	400 441	32C-31	400 674	57B-39	401 266	24-113
400 055	57C-58	400 441	33-20	400 674	57B-48	401 266	28-17
400 055	81-36	400 441	77-50	400 674	57C-50	401 266	39-15
400 056	50-33	400 441	77-66	400 674	57C-51	401 266	74-43
400 056	59-64	400 441	77-67	400 674	59-62	401 266	75-62
400 056	80-39	400 441	77-68	400 674	74-53	401 266	76-54
400 056	81-36	400 441	77-103	400 674	74-65	401 266	77-64
400 057	57B-41	400 443	13-38	400 674	75-50	401 266	77-65
400 058	33-54	400 443	34-72	400 674	75-63	401 266	77-75
400 102	32-38	400 443	74-66	400 679	38-20	401 266	77-106
400 103	61-10	400 443	75-54	400 680V	76-48	401 266	78-29
400 108	34-61	400 443	76-35	400 686V	46-28	401 266	83-18
400 110	28-31	400 443	77-108	400 686V	75 59	401 266	85-15
400 111	28-32	400 443	84-53	400 704	75-49	401 269	13-56
400 112	24A-27	400 443	85-13	400 711	38-21	401 269	28-11
400 112	34 70	400 444	2-43	400 723V	34-66	401 269	28A-37
400 113	46-27	400 444	10-49	400 728V	72-12	401 269	28A-39
400 113	47-26	400 444	11-48	400 744V	35-21b	401 269	28A-51
400 159	29-10	400 444	75-60	400 749V	57B-7	401 269	29-15
400 165	37-37	400 444	85-14	400 749V	57C-6	401 269	32C-34
400 166V	37 47	400 446	77-69	400 749V	59-6	401 269	33-53
400 171	57B-7	400 446	78-57	400 749V	67A-6	401 269	34-51
400 171	57C-6	400 448	33-55	400 757	38-30	401 269	34-67
400 171	59-6	400 448	76-39	400 761	34-65	401 269	50-54
400 171	67A-6	400 448	82-20	400 762V	34-83	401 269	77-109
400 191V	34-63	400 449	77-70	400 774V	34-84	401 269	78-31
400 218	34-73	400 450	33-53	400 861	32C-33	401 269	80-23
400 224	32C-24	400 450	33-55	400 861	32C-36	401 269	81-23
400 272V	34-69	400 450	38-43	400 861	32C-37	401 270	2-42
400 274	56-61	400 450	50-34	400 861	32C-38	401 270	80-24
400 274	56-62	400 450	78-23	400 862V	24A-60	401 270	80-26
400 309	56-61	400 451	13-38	400 863V	28A-51	401 270	80-30
400 310	56-61	400 451	82-19	400 869	82-7	401 273	32C-7
400 328V	56-62	400 452	33-53	400 869	83-9	401 273	33A-32
400 329	56-62	400 453V	33-55	400 871V	34-12	401 274	34-48
400 437	77-62	400 456	82-19	400 871V	34-13	401 274	34-50
400 437	78-24	400 456	83-15	400 876V	47-27	401 274	34-71
400 437	78-28	400 457V	74-50	400 880V	38-30a	401 274	76-19
400 437	84-59	400 457V	82-20	400 880V	38-31	401 275V	42-35
400 438	33A-33	400 458V	74-50	400 883V	12-30	401 279	78-26
400 438	56-29	400 482V	76-19d	400 885V	34-59	401 281	78-57
400 438	57-43	400 463	66-81	400 886V	34-59	401 286V	42-32
400 438	65-11	400 464V	56-29	400 903V	28-14	401 300V	84-55
400 438	66-84	400 464V	66-81	400 916	28A-16	401 301V	58-87
400 438	76-41	400 481V	75-53	400 916	28A-26	401 301V	66-19
400 438	77-63	400 616V	32A-30	401 185	73-12	401 301V	67-14
400 438	77-104	400 652V	76-36	401 187	2-32	401 301V	67A-26
400 438	78-30	400 653V	76-37	401 187	28A-38	401 307	73-14
400 438	82-17	400 653V	76-38	401 188	74-40	401 310	43-3
400 438	83-17	400 653V	80-29	401 188	74-54	401 310	57-44
400 438	84-56	400 653V	80-31	401 188	75-56	401 310	58-53
400 438	86-16	400 653V	81-35	401 189	75-58	401 310	66-111
400 440	28-16	400 664V	77-71	401 195	33A-25	401 310	80-37
400 440	28A-38	400 665V	24A-35	401 260V	42-14	401 310	81-27
400 440	32C-35	400 672	76-44	401 265	28-18	401 311	37-14
400 440	33-20	400 672	79-3	401 265	28A-37	401 315	28-31
400 440	34-76	400 672	82-18	401 265	28A-51	401 315	28-32
400 440	76-39	400 673	57B-54	401 265	35-38	401 315	28B-25
400 440	84-56	400 673	83-16	401 266	13-56	401 315	29-10

## PIPER PARTS CATALOG

Part Number	Figure and Index No.	Part Number	Figure and Index No.	Part Number	Figure and Index No.	Part Number	Figure and Index No.
401 318	28C-45	402 032	77-105	404 123V	34-73	404 392	75-50
401 318	38-48	402 057V	12-28	404 124	34-69	404 392	75-59
401 318	74-60	402 057V	12-29	404 156	28-17	404 392	76-44
401 318	76-52	402 679	75-49	404 156	32C-35	404 392	79-3
401 320V	39-41	402 680V	50-36	404 156	34-13	404 392	80-39
401 329	39-37	402 775V	33-6	404 156	72-10	404 392	81-36
401 330	33A-34	402 890V	15-34	404 156	73-13	404 392	82-18
401 333V	49-11	402 897V	15-33	404 156	77-50	404 392	83-16
401 333V	81-22	402 921	38-45	404 156	77-103	404 393	32-38
401 334	32C-32	402 960V	38-53	404 156	80-22	404 393	34-22
401 335	38-47	403 054	42-33	404 156	80-24	404 393	34-70
401 353	74-36	403 055	42-34	404 156	80-26	404 393	38-21
401 354	74-56	404 004V	19-27	404 156	80-30	404 393	75-49
401 354	75-55	404 004V	19A-27	404 156	81-20	404 394	58B-12c
401 355	28A-40	404 004V	19B-29	404 156	81-29	404 394	57C-19c
401 359	33A-26	404 100	31A-50	404 156	82-7	404 394	59-24f
401 359	33A-31	404 100	33-54	404 156	83-9	404 394	67A-19c
401 361V	33A-26	404 100	38-20	404 224	24-6	404 395	34-65
401 378V	74-49	404 100	38-30a	404 224	24-95e	404 395	34-84
401 385V	74-34	404 100	38-31	404 224	50-38	404 395	38-30
401 385V	75-57	404 100	50-37	404 224	57B-38	404 395	38-45
401 394	32A-12	404 100	57B-39	404 224	57C-49	404 421	2-32
401 400	33A-25	404 100	57B-41	404 224	57C-53	404 421	33A-25
401 403	33A-26	404 100	57B-48	404 224	59-50	404 421	33A-26
401 405	33-29	404 100	57B-53	404 224	66-71	404 421	33A-30
401 405	58-55	404 100	57B-54	404 224	67A-38	404 421	33A-31
401 410V	33-30	404 100	57B-56	404 224	76-40	404 421	33A-34
401 411V	58-56	404 100	57C-50	404 225	33-27	404 421	36-13
401 415V	33-30	404 100	57C-51	404 225	33-33	404 421	40-18
401 417V	58-54	404 100	57C-58	404 225	38-44	404 421	74-34
401 456V	33-38	404 100	59-62	404 229	77-28	404 421	74-36
401 461V	32A-36	404 100	59-64	404 320V	76-23	404 421	74 40
401 520V	66-25	404 100	76-48	404 321	42-12	404 421	74 49
401 535V	56-61	404 101	24A-27	404 321	42-24	404 421	74 54
401 535V	56-62	404 101	28-31	404 321	42-29	404 421	74-56
401 535V	57-29	404 101	28-32	404 322	33-5	404 421	75-55
401 535V	57A-53	404 101	34-60	404 322	34-33	404 421	75-56
401 543V	56-62	404 101	34-61	404 322	45-14	404 421	75 57
401 543V	57A-50	401 101	34-66	404 322	74-63	404 451V	34-75
401 543V	58-59	404 101	35-41	404 322	75-45	404 526	2-38
401 544V	56-61	404 101	39-35	404 322	76-23	404 526	2-42
401 544V	57A-50	404 101	45-32	404 325V	78-32	404 526	2-43
401 544V	58-58	404 101	46-29	404 326V	38-31a	404 526	10-49
401 918	33-15	404 101	47-26	404 391V	24A-35	404 526	11-48
401 918	37-35	404 101	61-10	404 391V	76-36	404 526	12-30
401 918	66-108	404 101	77-73	404 391V	76-37	404 526	13-38
401 919	57A-38	404 102	34-63	404 391V	75-38	404 526	13-56
401 919	58-60	404 102	35-40	404 391V	80-29	404 526	13-57
401 919	58-61	404 102	39-34	404 391V	80-31	404 526	13-58
401 919	58-79	404 102	39-36	404 391V	81-35	404 526	20-15
401 920V	58 61	404 103	34-73	404 392	32-22	404 526	24-113
401 926V	58-60	404 104	56-63	404 392	32E-42	404 526	28-11
401 928V	58-79	404 104	80-27	404 392	57B-53	404 526	28-16
401 970V	32A-38	404 104	81-21	404 392	57C-52	404 526	28A-38
401 971V	32A-34	404 105	34-69	404 392	59-48	404 526	28A-39
401 986V	32A-37	404 105	37-25	404 392	74-53	404 526	29-15
401 987V	32A-35	404 105	56-63	404 392	74-60	404 526	30-13
401 988V	32A-29	404 122V	37-37	404 392	75-63	404 526	30-15
402 032	77-72	404 122V	37-47	404 392	74-65	404 526	30-16



## PIPER PARTS CATALOG

Part Number	Figure and Index No.	Part Number	Figure and Index No.	Part Number	Figure and Index No.	Part Number	Figure and Index No.
404 526	30-29	404 526	77-67	404 530	28B-25	404 532	58-55
404 526	32C-7	404 526	77-68	404 530	2BC-46	404 532	58-56
404 526	32C-31	404 526	77-69	404 530	29-10	404 556	15-33
404 526	32C-33	404 526	77-70	404 530	29-12	404 556	15-34
404 526	32C-34	404 526	77-72	404 530	32A-17	404 751V	86-15
404 526	32C-36	404 526	77-75	404 530	32C-32	404 832	38-53
404 526	32C-37	404 526	77-104	404 530	33-16	404 840	35-42
404 526	32C-38	404 526	77-105	404 530	36-13	404 843	39-29
404 526	33-20	404 526	77-106	404 530	37-8a	404 885	77-71
404 526	33-53	404 526	77-108	404 530	37-17	404 891	56-63
404 526	33-55	404 526	77-109	404 530	38-51	404 891	57-29
404 526	33A-32	404 526	78-12	404 530	39-37	404 891	57A-50
404 526	33A-33	404 526	78-26	404 530	39-41	404 891	57A-53
404 526	34-12	404 526	78-30	404 530	40-18	404 891	58-58
404 526	34-48	404 526	78-31	404 530	41-6	404 891	58-59
404 526	34-50	404 526	78-57	404 530	49-11	404 891	66-27
404 526	34-51	404 526	80-23	404 530	50-35	405 580	33-5
404 526	34-59	404 526	80-24	404 530	50D-25	406 357	18-30
404 526	34-67	404 526	80-26	404 530	50D-26	406 357	92-20
404 526	34-71	404 526	80-30	404 530	57-44	406 369	57B-13
404 526	34-72	404 526	81-23	404 530	58-53	406 369	57C-19b
404 526	34-76	404 526	82-19	404 530	63-11	406 369	59-23
404 526	38-43	404 526	82-20	404 530	66-111	406 369	67A-11a
404 526	39-15	404 526	83-15	404 530	72-11	406 372	50-55
404 526	42-15	404 526	83-18	404 530	73-14	406 382V	2-39
404 526	42-16	404 526	84-56	404 530	74-45	406 382V	16-43
404 526	42-32	404 526	84-59	404 530	74-60	406 387V	43-4
404 526	42-33	404 526	85-13	404 530	75-46	406 387V	44-9
404 526	42-34	404 526	85-14	404 530	76-4	406 389V	30-22
404 526	42-35	404 526	85-15	404 530	76-42	406 389V	31-30
404 526	45-60	404 526	86-16	404 530	76-52	406 415V	5-49
404 526	46-17	404 528	16-9	404 530	80-25	406 424V	32B-24a
404 526	47-27	404 528	26-107	404 530	80-37	406 424V	32B-33
404 526	49-37	404 528	27-112	404 530	81-22	406 424V	32E-3c
404 526	49-46	404 528	27A-101	404 530	81-27	406 424V	32E-8b
404 526	50-46	404 528V	30-19	404 530	82-8	406 551V	77-65
404 526	56-29	404 528V	30-27	404 530	83-7	406 551V	78-29
404 526	57-43	404 528V	30-28	404 531	12-28	406 616	22-8
404 526	57A-33	404 528	30-42	404 531	12-29	406 616	22A-7
404 526	57B-40	404 528	30 45	404 531	28A-38	406 616	23-7
404 526	57B-55	404 528	37-16	404 531	28A-40	406 616	23A-44
404 526	57C-57	404 528	44-12	404 531	29-10	406 616	23B-38
404 526	59-63	404 528	77-76	404 531V	33-8	406 646V	65-18
404 526	65-11	404 529	24-92	404 531	35-21b	406 660	38-47
404 526	66-83	404 529	49-31	404 531	73-12	406 660	38-48
404 526	74-43	404 529	59-46	404 454	34-75	406 669V	58-82
404 526	74-50	404 529	59-49	404 532	2-30	406 706	28A-15
404 526	74-66	404 529	59-54	404 532	2-33	406 706	28A-24
404 526	75-53	404 529	79-5	404 532	2-34	406 706	28B-12
404 526	75-54	404 529	85-11	404 532	33-29	406 706	28C-48
404 526	75-62	404 530	2-36	404 532	32A-12	406 709V	2-37
404 526	76-19	404 530	2-44	404 532	33-8	406 709V	50-20
404 526	76-19d	404 530	28-15	404 532	33-30	406 709V	50-21
404 526	76-39	404 530	28-31	404 532	33A-25	406 709V	50-23
404 526	76-41	404 530	28-32	404 532	33A-26	406 709V	50-25
404 526	76-54	404 530	28A-10c	404 532	34-83	406 709V	50-55
404 526	77-63	404 530	28A-39	404 532	41-6	406 709V	92-7
404 526	77-64	404 530	28A-40	404 532	41-39	406 796	45-52
404 526	77-66	404 530	28B-24	404 532	58-54	406 809	22A-10

## PIPER PARTS CATALOG

Part Number	Figure and Index No.	Part Number	Figure and Index No.	Part Number	Figure and Index No.	Part Number	Figure and Index No.
406 846	16-42	408 051	63-14	415 320V	2-38	416 329V	57-43
406 848	93-24	408 051	66-108	415 322V	13-57	416 348V	37-13
406 848	93-35	408 813	30-8	415 323V	13-58	415 631	59-46
406 863	22-9	408 813	31-21	415 377V	26-106	416 633	64-26
406 863	22A-8	408 815	57B-15	415 377V	27-111	416 794	72-10
406 863	23-8	408 815	57C-16	415 377V	27A-100	416 794	73-13
406 863	23A-45	408 815	59-18	415 378V	24-97	416 942V	30-13
406 863	23B-39	408 815	67A-16	415 378V	24A-53	416 990V	30-15
406 863	86-15	408 823V	23-21	415 379V	57A-33	416 993	42-16
406 927V	2-26	408 826	22-31	415 379V	57A-52	416 994	47-25
406 940V	2-25	408 826	22-35	415 379V	58-9	416 995	45-36
406 941V	2-25	408 826	23 21a	415 447	22A-9	416 996	49-22
406 942V	2-25	408 826	23A-16	415 447	23-9	416 996	65-22
406 945V	37-8	408 826	23A-16a	415 447	23A-46	416 996	66-84
406 945V	50-45	408 826	23B-14	415 448	18-30	416 996	66-113
406 974	75-49	408 826	23B-14a	415 448	57B-14	416 999	20-15
407 041V	22-31	409 910	59-59	415 448	59-19	416 999	66-68
407 041V	23-21a	410 023V	24-106	415 448	59-49	417 694	56-59
407 041V	23A-16a	410 043	2-8	415 449	23A-46	417 694	67-25
407 041V	23B-14	410 076	2-36	415 449	43-4	417 694	67A-51
407 041V	23B-14a	411 533	64-27	415 449	44-9	417 695	56-60
407 041	23-21	411 533	64-28	415 449	44-10	417 775	30-16
407 041	23A-16	411 551	34-68	415 449	49-31	417 775	30-29
407 041	57B-18	414 467V	2-37	415 449	92-4	417 775	45-59
407 041	59-24a	414 761	27-102	415 450	22-9	417 781	76-40
407 041V	93-24	414 761	27A-90	415 450	22A-8	418 351V	59-47
407 041V	93-35	414 763	50-20	415 450	23-8	418 351V	63-14
407 043	57B-38	414 763	50-47	415 450	23A-45	418 420	57C-54
407 043	57B-41	414 763	65-19	415 450	77-76	418 420	63-14
407 043	57B-56	414 769	24-92	415 452	23A-45	418 420	67A-39
407 043	57C-53	414 769	27-101	415 458	16-14	418 457V	57B-7
407 043	59-50	414 769	27A-89	415 495	23B-38	418 457V	59-6
407 043	59-64	414 783V	50-51	415 495	23B-41	418 457V	67A-6
407 043	67A-37	415 145	16-9	415 497	23B-14	419 594V	24-68d
407 044	34-75	415 146	66-64d	415 518V	37-11	419 594V	24A-10a
407 044	57C-54	415 148	30-42	415 520	93-24	419 594V	26-110
407 044	59-47	415 148	49-37	415 521	93-35	419 594V	27-88b
407 044	67A-39	415 148	57B-18	415 535V	23B-40	419 594V	27A-79b
407 045	34-75	415 149	22-8	415 536	23B-39	419 641V	23-43
407 124V	46-13	415 149	22A-7	415 537	23B-39	419 641V	23A-43
407 124V	47-25	415 149	23-7	415 544	23B-40	419 646V	22A-21
407 124V	54-52	415 149	23A-44	415 736	30-28	419 647V	22A-20
407 588	33-16	415 149	23A-47	415 736	30-33	419 682	30-38
407 726V	32A-36	415 150	16-42	415 737	30-45	419 682	31B-34
407 800	77-108	415 150	22-11	415 739	30-27	419 683	22-24
407 801	29-9	415 150	22A-11	415 739	30-32	419 683	23-44
407 801	43-3	415 150	23-10	415 741	56-14	419 683	24-14
407 801	43-8	415 150	30-19	415 753	59-53	419 683	24-80
407 801	43-9	415 150	74-37	415 753	59-54	419 683	31-2
408 043	36-8	415 150	75-61	415 753	79-5	419 683	31A-52
408 043	86-15	415 151	16-11	415 754	59-52	419 683	32-39
408 044V	66-72	415 151	22-35	415 754	79-5	419 683	79-6
408 045	57B-17	415 151	23-21	415 754	85-11	419 692	24-13
408 045	59-21	415 151	23A-16	416 087V	46-9	419 746	22-10
408 051	34-33	415 171V	44-12	416 210V	54-52	419 746	23-11
408 051	57A-38	415 179V	24-95	416 302V	51-107	419 746	23A-48
408 051	58-60	415 179V	50-52	416 302V	52-85	419 746	23B-42
408 051	58-61	415 309V	2-41	416 305V	51-106	419 746	24-57
408 051	58-79	415 312V	2-40	416 305V	52-86	419 746	30-51

## PIPER PARTS CATALOG

Part Number	Figure and Index No.	Part Number	Figure and Index No.	Part Number	Figure and Index No.	Part Number	Figure and Index No.
419 746	31-31	424 051	57B-46	424 058V	55-6	424 205V	28C-44
419 875V	22-24	424 051	57B-48	424 059	37-25	424 230V	33-16
419 875V	22A-22	424 051	57B-53	424 059	38-30	424 357V	48-19
419 905	25-88	424 051	57B-54	424 059	38-45	434 120V	84-52
419 905	26-110	424 051	57B-56	424 059	56-64	434 126	85-10
419 920	2-39	424 051	57C-19c	424 060	34-65	434 128	20-11
419 920	16-43	424 051	57C-50	424 060	34-69	434 128	28-12
419 920	43-4	424 051	57C-51	424 060	34-73	434 128	28-44
419 920	44-9	424 051	57C-52	424 060	34-84	434 128	49-35
419 920	44-10	424 051	57C-55	424 060	80-27	434 129	56-31a
419 920	44-11	424 051	57C-58	424 060	81-21	434 129	66-64c
419 920	50-55	424 051	59-24f	424 061	34-69	434 132	46-11
419 928V	22A-23	424 051	59-48	424 061	67B-27	434 132	52-107
419 967V	79-14	424 051	59-58	424 071V	37-7	434 132	52-108
419 973	24-7	424 051	59-62	424 077V	84-54	434 133	54-33
420 242V	38-31b	424 051	59-64	424 095	32-37	434 133	55-71
424 040V	45-33	424 051	61-10	424 095	33-16	434 134	55-70
424 041V	24A-35	424 051	66-64f	424 095	37-37	434 134	56-31a
424 041V	24A-36	424 051	67A-19c	424 095	37-47	434 134	66-64c
424 041V	45-34	424 051	67A-48	424 095	49-18	434 135	55-69
424 041V	76-36	424 051	74-41	424 095	77-110	434 135	55-71
424 041V	76-37	424 051	74-53	424 096V	77-55	434 135	92-12
424 041V	76-38	424 051	74-60	424 123V	77-107	434 136	55-69
424 041V	80-29	424 051	74-65	424 123V	78-34	434 142V	53-29
424 041V	80-31	424 051	75-50	424 139V	84-54	434 144	92-11
424 041V	81-35	424 051	75-59	424 140	30-8	434 144	93-10
424 051	24-29	424 051	76-44	424 140	31-21	434 151V	45-45
424 051	24-32	424 051	76-48	424 140	32-37	434 151V	46-12
424 051	24-52	424 051	77-53	424 141	24-52	434 151V	47-23
424 051	24-53	424 051	77-54	424 142	28C-43	434 151V	52-66
424 051	24-78	424 051	77-74	424 146V	35-50	434 151V	52-107
424 051	24A-27	424 051	75-63	424 148	77-56	434 151V	52-108
424 051	24A-61	424 051	78-25	424 153V	77-57	434 159	53-20
424 051	28-31	424 051	79-3	424 155	24-53	450 018V	73B-1
424 051	28-32	424 051	79-4	424 155	77-58	450 030V	73B-2
424 051	28C-43	424 051	81-36	424 162	24-31	450 035V	73B-2
424 051	28C-44	424 051	82-18	424 163	24-29	450 330	18-1
424 051	30-8	424 051	83-16	424 172V	28C-43	450 380	19-1
424 051	31-21	424 052	34-22	424 175	48-16	450 380	19A-1
424 051	31A-50	424 052	34-60	424 176	45-43	450 380	19B-1
424 051	32-22	424 052	34-63	424 177	48-16	450 397V	68-55
424 051	32-38	424 052	34-66	424 177	77-74	450 611	16-22
424 051	32E-42	424 052	35-40	424 178	24A-36	450 646	16-16
424 051	33-54	424 052	35-41	424 178	46-32	450 648	16-20
424 051	34-61	424 052	35-50	424 178	47-24	450 648	87-20
424 051	34-70	424 052	38-46	424 180V	78-25	450 648	88-19
424 051	38-20	424 052	74-39	424 181	38-20	450 658	16-24
424 051	38-21	424 052	75-49	424 181	48-17	450 712	17-13
424 051	38-30a	424 052	75-51	424 181	48-17a	450 728	16-16
424 051	38-31	424 052	76-43	424 182	77-110	450 741	68-65
424 051	45-35	424 052	77-55	424 184V	48-17a	450 742	68-66
424 051	46-31	424 052	77-73	424 184V	48-18	450 762V	16-12
424 051	47-24	424 053	74-55	424 185	79-4	450 762V	17-16
424 051	47-26	424 053	75-48	424 186	79-4	450 765V	16-10
424 051	50-39	424 054	74-35	424 187	28-26	450 793V	16-12
424 051	55-124	424 054	74-57	424 187	38-46	450 793V	17-16
424 051	57B-12c	424 054	75-47	424 195	45-44	450 799V	16-12
424 051	57B-39	424 055	74-42	424 204V	24A-61	450 799V	17-15
424 051	57B-41	424 055	75-35	424 204V	28C-44	450 904V	67B-1

## PIPER PARTS CATALOG

Part Number	Figure and Index No.	Part Number	Figure and Index No.	Part Number	Figure and Index No.	Part Number	Figure and Index No.
450 944V	56-5	451 872	51-39	452 445V	34-58	453 653	87-12
450 948V	57-4	451 872	52-*8	452 447V	35-23	453 656	55-116
450 949V	57-4	451 872	53-25	452 448V	35-3	453 680	51-63
450 955V	56-5	451 881	19A-20	452 448V	35-26	453 680	52-64
450 957V	57-4	451 881	19B-20	452 448V	35-32	453 680	52-71
450 957V	57A-6	451 906V	32A-41	452 448V	39-11	453 680	53-32
450 960V	66-23	451 907V	32A-42	452 448V	39-20	453 680	55-62
450 963V	49-26	451 907V	32A-44	452 465V	68-51	453 687V	17-28
450 964V	66-23	451 908V	32A-43	452 477V	35-21a	453 691V	26-33
450 968V	49-26	451 939	18-29	452 558V	32C-20	453 691V	27-59
450 977V	67B-1	451 939	18-31	452 558V	32C-23	453 695	70-43
450 993V	56-5	451 939	19-14	452 561V	32C-30	453 695	94-9
450 997V	56-5	451 939	19A-26	452 570V	32C-19	453 706V	26-40
451 103V	51-70	451 939	19B-21	452 571V	32C-13	453 706V	29-3
451 103V	52-70	452 332	33-1	452 575V	38-5	453 709	17-65
451 103V	53-44	452 333	33-2	452 575V	38-9	453 714V	48-15
451 103V	55-66	452 334V	33-26	452 584	42-11a	453 732V	28A-2b
451 127	91-6	452 334V	33-32	452 605V	33-49	453 732	28C-3a
451 128	91-8	452 334V	34-7	452 606	57B-25	453 802V	2-29
451 129	91-7	452 334V	34-42	452 606	57B-28	453 831V	55-67
451 270	91-4	452 334V	34-44	452 606	57C-56	453 836	93-9
451 272	91-9	452 334V	38-50	452 606	59-36	453 838V	93-8
451 272	92-13	452 334V	74-64	452 679V	28A-47	453 855	95-16
451 272	93-4	452 334V	75-44	452 680V	28A-47	453 856V	24-119
451 273	91-10	452 335	33-49	452 692V	28A-47	453 857V	24-119
451 273	92-14	452 335	42-11	452 729V	34-28	453 884V	32C-21
451 273	93-5	452 335	42-23	452 772V	31A-21	453 991V	56-31b
451 718	37-61	452 335	76-22	452 860	34-32	453 991V	66-64e
451 718	41-1	452 336V	76-22	452 935V	32B-7	454 053	33A-14
451 728V	35-45	452 341V	33-50	452 935V	32E-13	454 053	35-36
451 735	33-3	452 366	35-12	453 124	33A-13	454 053	37-31
451 735	37-19	452 368V	38-16	453 124	35-35	454 053	37-55
451 735	39-48	452 372	77-16	453 124	37-32	454 053	39-33
451 739V	35-46	452 372	80-5	453 124	37-53	454 083	68-57
451 755	33-41	452 372	81-8	453 124	39-32	454 161	73B-20
451 755	36-1	452 374	77-15	453 141	16-5	454 173	49-10
451 769	37-62	452 383	74-64a	453 141	24-73	454 656	69-8
451 769	40-1	452 386V	28-28	453 141	25-8	454 656	85-9
451 778	37-62	452 386V	28A-8	453 141	26-70	454 656	86A-17
451 778	40-1	452 386V	28C-17	453 141	27-30	454 658	20-37
451 783V	40-24	452 386V	34-29	453 141	27A-45	454 662	69-8
451 786V	39-50	452 387V	4-29	453 141	28-35	454 663	69-7
451 823V	68-33	452 387V	1-31	453 158	33-42	454 664	87-24
451 823V	68-35	452 387V	5-34	453 158	34-86	454 665V	69-7
451 823V	68-37	452 387V	5-36	453 199V	34-75	454 668V	69A-1
451 823V	68-39	452 387V	50A-4	453 115	91-17	454 668V	70-1
451 823V	68-41	452 387V	50B-7	453 415	92-22	454 669V	69A-1
451 824V	27-8	452 388V	80-20	453 415	93-22	454 669V	70-1
451 831V	68A-15	452 388V	81-11	453 425V	86-6	454 670V	69A-1
451 834V	68A-29	452 389V	80-16	453 425V	86A-10	454 670V	70-1
451 854	37-58	452 389V	81-10	453 425V	90-8	454 678V	70-1
451 855	56-22	452 394V	15-39	453 426V	86-6	454 700V	69-8
451 857	51-75	452 395V	49-17	453 426V	86A-10	454 700V	70-1
451 857	52-78	452 413V	77-101	453 426V	90-8	454 700V	94-4
451 857	53-106	452 413V	78-45	453 602V	69A-5	454 701V	69-7
451 857	54-77	452 418V	77-102	453 616	18-20	454 701V	70-1
451 857	55-100	452 418V	78-44	453 616	52-63	454 702V	70-1
451 862V	51-49	452 419	33-2	453 616	52-92	454 703V	70-1
451 862V	52-49	452 445V	34-47	453 639	68-72	454 704V	70-1

## PIPER PARTS CATALOG

Part Number	Figure and Index No.	Part Number	Figure and Index No.	Part Number	Figure and Index No.	Part Number	Figure and Index No.
454 705V	70-1	454 985	31B-29	456 017	33-25	458 896	52-61
454 706V	69A-1	454 985	31B-29a	456 615V	32B-14	458 896	56-23a
454 706V	70-1	454 985	32-36	456 703V	95-4	458 897	51-61
454 706V	94-4	454 985	32-36a	456 703V	95-21	458 897	52-57
454 706V	96-6	454 993V	30-46	456 728	72-6	458 897	52-61
454 707V	69A-1	454 993V	31-45	456 728	73-8	458 898	18-8
454 707V	70-1	454 993V	31-47	456 738V	68A-10	458 898	56-24
454 708V	69A-1	454 993V	31-51	458 855V	57A-45	458 898	56-25
454 708V	70-1	454 993V	31A-20	458 855V	58-43	458 898	66-6
454 709V	32E-43	454 993V	31A-21	458 855V	58-77	458 898	66-78
454 709V	68A-17	454 993V	31A-47	458 864V	54-22	458 900	47-18
454 709V	70-1	454 993V	66-89	458 864V	55-60	458 900	84-38
454 710V	68A-17	454 994V	30-2	458 868V	51-34	458 901	51-41
454 710V	70-1	454 994V	30-46	458 868V	51-50	458 901	52-61a
454 711V	69A-1	454 994V	31-44	458 868V	51-104	458 903	52-49
454 711V	70-1	454 994V	31-50	458 868V	52-34	458 904	45-56
454 719V	70-1	454 994V	31-51	458 868V	52-50	458 904	48-24
454 800V	32-19	454 994V	31A-43	458 868V	53-24	458 910	45-41
454 800V	56-57	454 994V	31A-47	458 868V	53-89	458 910	46-37
454 804V	56-66	454 994V	318-16	458 868V	55-48	458 910	46-38
454 806	51-83	454 994V	51-111	458 870V	56-28	458 910	47-19
454 816	57-42	454 994V	52-114	458 870V	57-16	458 910	84-40
454 816	57A-34	454 994V	53-21	458 870V	58-45	458 911	51-62
454 833	20-23	454 997	30-4	458 871	55-49	458 911	52-62
454 833	49-36	454 997	31-46	458 873	52-34	458 920	57-32
454 833	51-83	454 997	31-48	458 873	52-50	458 934	45-40
454 835V	30-21	454 997	31-49	458 876	54-42	458 934	84-39
454 837V	18-16	455 124	33A-12	458 878	52-61	458 935	52-93
454 837V	56-27	455 124	35-34	458 878	52-61a	458 936	51-50
454 837V	57-41	455 124	37-33	458 880	45-39	458 936	51-87
454 837V	57A-35	455 124	37-54	458 881	46-34	458 936	51-104
454 837V	53-50	455 124	39-31	458 881	47-16	458 936	52-93
454 837V	66-86	455 151	73B-13	458 886	56-23	458 936	55-48
454 838V	26-29	455 173	51-94	458 886	56-23a	458 936	54-88
454 852	31B-30	455 173	52-120	458 886	56-24	458 938	84-39
454 854	45-53	455 173	53-16	458 886	55-25	458 940	54-43
454 862	5-48	455 173	55-122	458 886	57-13	458 941	18-29
454 873	69-15	455 259V	51-90	458 886	58-43	458 941	18-31
454 887	24-64d	455 259V	52-96	458 886	66-6	458 945	18-19
454 887	3C-14	455 332V	57B-19	458 890	52-58	458 945	18-22
454 887	30-30	455 332V	57C-21	458 890	52-91	458 946V	51-32
454 887	45-54	455 322V	59-29	458 892	51-58	458 946V	52-31
454 889	91-17	455 333V	57B-20	458 892	52-58	458 946V	53-8
454 889	92-22	455 333V	57C-22	458 892	53-39	458 946V	54-56
454 929	20-20	455 344V	57C-20	458 892	54-19	458 948	18-21
454 929	45-55	455 344V	67A-20	458 893	18-21	458 948	18-23
454 934	39-43	455 350V	57B-20	458 893	18-23	458 948	19 A-16
454 950	31-29	455 352V	57B-19	458 893	87-27	458 948	19B-28
454 950	32-36	455 928	20-14	458 894	37-4	458 948	21-24
454 950	32-36a	455 932V	48-25	458 894	41-11	458 948	51-49
454 981	66-90	455 932V	48A-1	458 894	46-35	458 948	53-88
454 983	47-22	455 938V	46-40	458 894	47-17	458 948	55-4
454 983	57C-34	455 938V	47-29	458 894	48-20	458 957	56-23
454 983	67-19	455 944V	48-25	458 894	84-35	458 957	56-23a
454 983	67A-45	455 944V	48A-33	458 895	51-57	458 957	56-24
454 985	10-44	455 968V	48-25	458 895	52-57	458 957	56-25
454 985	11-41	455 968V	48A-18	458 895	53-37	458 958	18-9
454 985	31A-38	455 968V	48A-45	458 895	54-18	458 958	19-16
454 985	31A-39	456 015	33-25	458 895	54-41	458 958	19A-18
454 985	31A-39a	456 016	34-31	458 896	52-50	458 958	19B-17

## PIPER PARTS CATALOG

Part Number	Figure and Index No.	Part Number	Figure and Index No.	Part Number	Figure and Index No.	Part Number	Figure and Index No.
458 959V	51-88	462 012	68-59	467 066V	86-14	474 642V	93-28
458 959V	52-94	462 019	51-72	468 002	69-16	474 647	91-13
459 441V	24-102	462 019	52-74	468 002	93-19	474 647	92-17
460 463V	55-117	462 019	53-97	468 006	69-17	474 649	91-13
460 464V	51-118	462 019	54-70	468 006	93-20	474 649	92-17
460 464V	53-18	462 019	55-93	469 600V	93-27	474 652V	91-13
460 464V	55-79	462 019	55-109	471 049	56-39	474 652V	92-17
460 464V	55-117	462 023	18-4a	471 049	57-47	474 652V	93-2
460 594V	68-71	462 023	19-5	471 049	66-92	474 655V	93-33
460 602V	70-2	462 023	19A-5	471 059	30-60	475 110V	57-6
460 602V	95-20	462 023	19 8-5	471 059	31-40	475 110V	57A-7
460 630	58-72	462 024	33A-11	471 080	24-8	475 111V	66-24
460 632	56-12	462 024	35-37	471 080	45-30	475 114V	66-24
460 632	57-25	462 024	37-30	471 084V	28C-52	475 121	56-7
460 632	57A-18	462 024	37-52	471 084V	57-49	475 123V	56-7
460 632	66-69	462 024	39-27	471 084V	57-51	475 123V	57-6
460 634	57 28	462 034	35-6	471 084V	66-94	475 124V	56-7
460 634	66-76	462 034	39-22	471 084V	66-96	475 124V	57A-7
460 651	51-35	462 035V	37-56	471 088V	24-59	475 124V	58-83
460 651	52-35	462 042	68-63	471 088V	30-52	475 125V	56-7
460 651	53-12	462 046	68-63	471 096	24-59	475 134	56-7
460 651	55-64	462 049	51-28	471 096	30-52	475 210V	328-4
460 652	51-67	462 049	52-28	472 010V	24-4a	475 210V	32E-10
460 652	52-67	462 049	53-14	472 010V	24A-5	476 643	20-39
460 652	53-77	462 049	54-63	472 017	64-12	476 643	21-23
460 680V	55-128	462 050	33 A-16	472 017	65-3	476 643	45-57
460 682	17-55	462 058	54-49	472 017	66-57	476 647	20-38
460 685	57A-36	462 060	51-119	472 036	68-28	476 647	21-22
460 685	57C-33	462 060	53-43	472 038	68-27	476 647	51-105
460 685	58-46	462 060	55-9	472 051V	70-26	476 647	52-119
460 685	67-18	462 061	55-88	472 054	19-24	476 647	55-125
460 685	67A-41	462 080V	32E-3	472 054	68A-13	476 647	87-22
460 801	2-11	462 080V	32E-7	472 054	68A-34	476 648	39-46
460 801	38-33	462 110V	32A-4	472 054	70-27	476 648	41-11
460 823	2-11	462 111V	32A-4	472 054	70-42	476 648	41-45
460 823	35-25	462 112V	32A-4	472 054	96-4	476 648	84-33
460 823	37-23	463 372	49-24	472 056V	70-26	476 648	84-57
460 823	37-36	463 380	45-58	472 056V	95-19	476 662	51-56
460 823	38-3	463 380	46-30	472 330	68-20	476 662	51-86
460 823	38-7	463 390V	92-12	472 661	68-62	476 662	51-91
460 823	38-33	463 394V	55-68	472 665	68-45	476 662	52-97
460 836V	19B-22	463 395V	53-19	472 666	68-48	476 662	53-38
460 860	38-19	463 395V	55-67	472 712V	16-35	476 662	53-85
460 888V	18-5	463 401V	55-68	472 736	68-42	476 662	54-20
460 888V	19-18	463 401V	55 70	472 822V	94-7	476 662	55-61
460 888V	19A-6	463 422V	5-47	472 823V	94-6	476 664	57-14
460 888V	19B-6	464 022	24-9	472 824V	94-8	476 664	66-77
460 901V	27-9	464 023	77-17	472 834V	68A-5	476 667	52-55
461 136	76-45	464 031V	24-9	472 843V	68A-6	476 671	51-56
461 164V	59-25	464 046V	24-9	472 844V	68A-7	476 671	51-86
461 386V	32B-21	464 362	91-12	472 844V	68A-33	476 671	52-33
461 386V	32B-24	464 362	92-16	472 895V	73A-9	476 671	52-56
461 386V	32E-3b	464 362	93-1	472 896V	73A-9	476 671	52-91
461 386V	32E-8a	464 412V	24A-53a	472 969V	17-24	476 673	72-7
461 621	69-4	465 256	69-2	472 969V	69-20	476 673	73-9
461 622	69-4	465 257V	69-5	473 185V	26-92	476 678	51-33
461 623	69-4	465 258V	68A-30	473 187V	32B-20	476 678	51-97
461 629V	68A-12	465 258V	69-9	473 187V	32B-23	476 678	52-33
461 629V	68A-28	467 064	93-7	473 187V	32E-3a	476 678	52-55
461 629V	68A-31	467 065V	91-16	473 187V	32E-8	476 678	53-10

## PIPER PARTS CATALOG

Part Number	Figure and Index No.	Part Number	Figure and Index No.	Part Number	Figure and Index No.	Part Number	Figure and Index No.
476 678	53-34	480 063V	49-45	484 341	64-17	484 701	46-46
476 678	54-60	480 426V	28C-50	484 341	66-62a	484 701	47-34
476 678	55-60	480 592V	28C-50	484 342	58-64	484 701	48A-9
476 678	55-118	480 683	80-7	484 348	51-51	484 701	48A-25
476 685V	51-60	480 685V	64-5	484 348	51-65	484 702	45-17
476 685V	52-60	480 685V	64-31	484 348	52-51	484 705	33A-18
476 688V	57A-47	480 685V	66-118	484 348	52-65	484 706	38-40
476 688V	58-42	480 690V	28B-14	484 348	53-82	484 706	45-16
476 689V	55-119	480 694	24-30	484 348	55-55	484 706	46-8
476 690V	55-126	480 694	24-54	484 348	55-63	484 706	46-51
476 705V	51-22	480 696	76-16	484 349V	56-73	484 706	47-39
476 705V	53-30	480 696	77 45	484 349V	66-79	484 706	48A-10
477 618	45-48	480 698	45-12	484 351	51-53	484 706	48A-26
477 618	46-39	480 698	76-17a	484 351	53-86	484 711	41-4
477 618	47-20	480 700	35-27	484 351	55-58	484 711	41-35
477 618	84-48	480 713V	77-51	484 352	55-87	484 714	39-23
477 620	54-47	480 714V	77-44	484 359	55-7	484 719V	38-4
477 624	18-7	480 715V	76-17	484 359	55-87	484 719V	38-8
477 627	54-44	480 727V	28B-13	484 373	68-80	484 720	33A-19
477 628	54-45	480 727V	66-28	484 373	72-8	484 721	45-18
477 629	54-56	480 730V	80-22	484 373	73-10	484 723	35-9
477 629	56-82	480 730V	80-24	484 375V	68-29	484 727	46-47
477 629	57A-43	480 730V	80-26	484 375V	95-5	484 727V	47-35
477 629	58-90	480 730V	81-20	484 385	16-4	484 733	33A-10
477 629	66-126	480 732	28C-47	484 385	24-75	484 746V	37-40
477 629	84-47	480 733V	76-17a	484 385	25-10	484 747V	77-86
477 631	51-120	480 789V	28C-51	484 385	26-71	484 747V	78-41
477 631	54-23	480 790V	28C-49	484 385	27-31	484 748V	34-58
477 631	55-8	480 800V	24A-37	484 385	27A-46	484 748V	38-41
477 650V	20-36	480 801V	28C-49	484 385	28-37	484 748V	48A-1
477 650V	69-10	481 333V	80-25	484 407V	69-6	484 748V	48A-22
477 657	29-9	481 214	73A-1	484 416V	95-6	484 769V	37-21
477 668V	66-70	481 247	73A-1	484 426V	70-21	484 770V	33A-15
477 670V	51-117	481 625V	74-33	484 428V	64-5	484 788V	48A-40
477 670V	53-92	481 640V	78-22	484 428V	64-31	484 788V	84-3
477 670V	55-10	481 640V	85-12	484 428V	65-8	484 789V	37-51
477 670V	55-78	481 651	74-28a	484 428V	66-58b	484 790V	35-4
477 674V	43-4	481 651	80-8	484 428V	66-118	484 790V	39-5
477 677	51-103	481 651	81-26	484 436V	95-7	484 792V	10-12
477 677	54-58	481 666	51-99	484 457V	69A-3	484 792V	11-13
477 680V	55-127	481 666	52-109	484 457V	70-28	484 799V	35-5
477 691V	32A-40	481 666	53-1	484 461V	95-22	484 792	37-27
477 696V	22-31	481 681	18-2	484 467V	68A-25	484 799V	39-21
477 696V	22-35	481 701V	55-1	484 484V	70-29	484 828V	35-32a
477 696V	23-21	481 772	8-25a	484 654	56-21	484 828V	39-25a
477 696V	23-21a	481 772	9-38	484 683V	33A-21	484 830V	24-95d
477 696V	23A-16	484 209V	68A-16	484 684V	35-7	484 841	31A-58
477 696V	23A-16a	484 209V	68A-32	484 684V	39-24	484 841	31B-37
477 696V	238-14	484 222V	68A-11	484 685V	35-8	484 841	32-51
477 696V	238-14a	484 223V	68A-16	484 685V	39-25	484 843	54-50
477 696V	26-106	484 224V	28-42	484 691V	26-109	485 889	20-26
477 696V	27-111	484 224V	28A-43	484 691V	27-114	486 126V	32A-18
477 696V	27A-100	484 234V	95-18	484 691V	27A-103	486 188V	37-26
477 708V	28C-45	484 291V	64-17	484 697	55-88	486 190V	92-20
477 709	28 A-16	484 291V	65-17	484 698	33A-15	486 274	56-76
477 709	28A-26	494 291V	66-62a	484 698	41-4	486 274	57-62
477 809	65-20	484 303V	95-3	484 700	45-11	486 274V	57A-37
477 816V	50-51	484 307V	51-52	484 700	45-51	486 281V	33A-18
477 816V	50-52	484 307V	53-83	484 701	45-15	486 281V	93B-12
480 059V	49-25	484 307V	55-56	484 701	46-7	486 335V	58-51

## PIPER PARTS CATALOG

Part Number	Figure and Index No.	Part Number	Figure and Index No.	Part Number	Figure and Index No.	Part Number	Figure and Index No.
486 560V	28A-49	488 327	57B-37	491 051	52-54	492 153V	51-78b
486 563	76-53	488 327	57C-41	491 051	52-90	492 153V	52-80b
486 570V	16-17	488 327	59-42	491 052	51-62	492 153V	53-96
486 570V	17-52	488 327	67A-35	491 052	53-84	492 153V	54-76b
486 575	17-52	488 336V	52-60	491 052	55-7	492 153V	55-99b
486 576	16-17	488 336V	52-87	491 052	55-57	492 153V	55-111b
486 579	16-17	488 380	20-28	491 053	55-57	492 162V	32D-3
486 588V	16-17	488 380	21-7	491 053	55-87	492 172V	58-81
486 594V	17-52	488 380	21-14	491 054V	51-52	492 240V	19B-8
487 388V	91-15	488 381	52-68	491 054V	52-52	492 290V	55-90
487 562V	64-5a	488 389	32A-28A	491 054V	53-83	492 338V	32E-3
487 585	66-116	488 462V	68-67	491 054V	55-56	492 339V	32E-7
487 587V	66-114	488 474	20-40	491 055	54-35	593-101	76-29
487 598	66-115	488 474	21-25	491 055	56-75	593-101	76-30
487 629	25-73	488 483V	55-51	491 055	57-35	494 001	22-24
487 629	27-20	488 485V	95-8	491 055	57A-48	494 001	23-11
487 629	27-75	488 487V	55-52	491 055	58-41	494 001	23-45
487 629	27A-29	488 489	51-104	491 055	66-88	494 001	23A-48
487 629	27A-68	488 490V	51-7	491 056	54-36	494 001	23B-42
487 632V	8-5	488 490V	51-55	491 060	45-38	494 001	24-14
487 632V	49-23	488 490V	52-55	491 060	46-37	494 001	24-80
487 673V	64-32	488 490V	52-87	491 060	46-38	494 001	30-38
487 673V	66-119	488 490V	53-11	491 060	47-14	494 001	31-2
487 674V	8-5	488 490V	53-90	491 062	54-38	494 001	31A-52
487 674V	9-4	488 496V	51-68	491 064	54-37	494 001	31B-34
487 674V	49-23	488 496V	52-68	491 071V	55-55	494 001	32-39
487 695V	29-13	488 496V	53-31	491 082V	51-54	494 003	24-13
487 700V	70-24	488 496V	55-53	491 082V	51-85	494 025	33A-17
487 718V	64-5a	488 545V	68-67	491 082V	51-116	494 040V	28A-10c
487 719V	64-32	488 666	20-35	491 082V	53-40	494 057	66-114
487 719V	65-7	489 371	26-31	491 082V	53-87	494 057	66-115
487 719V	66-58c	489 384V	70-19	491 082V	54-39	494 057	66-116
487 719V	66-119	489 385V	70-20	491 082V	55-59	494 060	58-71a
487 723	58-71	489 388V	24-107	491 084V	55-59	494 066	77-65
487 724	58-70	489 388V	26-85	491 806V	51-108	494 066	78-29
487 769	69-14	489 388V	27-52	491 806V	52-84	494 071	50-55
487 770V	69-13	489 388V	27A-80	491 806V	53-41	494 076V	34-73
487 777	68-12	489 400V	69A-2	491 806V	54-16	494 081	50-20
487 827	69-11	489 400V	70-20	491 806V	55-107	494 087	72-10
487 844V	69-11	489 873	77-78	491 947V	51-1	494 087	73-13
487 868V	70-17	489 873	78-16	491 947V	52-1	494 093V	80-22
487 901V	86-12	489 910V	74-51	491 947V	53-35	494 093V	80-24
487 901V	86A-7	489 910V	75-40	491 947V	54-16	494 093V	80-26
487 904	70-41	489 910V	76-46	492 312	51-102	494 093V	81-20
487 922V	27-7	489 910V	80-35	492 312	51-108	494 101	2-37
487 925	59-10	489 910V	81-32	492 312	52-31	494 101	50-47
487 925	68-73	491 048	51-51	492 312	52-84	494 101	50-51
487 925	68A-21	491 048	53-82	492 312	53-9	494 101	50-55
487 926V	19-23	491 048	55-55	492 312	53-41	494 103V	74-58
487 931V	21-17	491 049	51-53	492 312	54-21	494 114V	39-30
487 936V	70-6	491 049	52-53	492 312	54-57	494 123V	31A-40
488 310	20-7	491 049	55-56	492 312	55-107	494 123V	32-47
488 310	21-14	491 050	45-37	492 312	55-112	494 133V	28C-46
488 318	51-59	491 050	46-33	492 061	45-49	494 133V	84-56
488 318	53-76	491 050	47-15	492 065	18-14	494 141V	24-106
488 318	55-5	491 050	48-23	492 065	19-6	494 159V	85-1a
488 318	55-54	491 050	84-32	492 065	19A-7	494 177V	48A-43
488 320	45-42	491 051	51-54	492 065	19B-8	494 192V	84-53
488 320	46-36	491 051	51-85	492 100	21-19	494 227V	58-9



## PIPER PARTS CATALOG

Part Number	Figure and Index No.	Part Number	Figure and Index No.	Part Number	Figure and Index No.	Part Number	Figure and Index No.
494 227V	66-20	550 620V	49-43	551 764V	37-62	555 890V	28C-10
494 227V	67-25	550 629V	16-20	551 764V	39-51	555 891V	28C-10
494 227V	67A-51	550 629V	17-49	551 764V	40-1	555 953V	28C-10
494 644	51-27	550 629V	87-20	551 766V	33-41	555 954V	28C-10
494 644	52-27	550 629V	88-19	551 766V	36-1	555 955V	28C-10
494 644	53-13	550 640	87-3	551 772V	35-47	555 956V	28C-10
494 644	54-62	550 640	88-3	551 772V	36B-1	555 957V	28C-10
494 678	93-23	550 642	87-11	551 773V	33-41	555 986V	23A-42
506 550	33A-27	550 642	88-7	551 773V	36A-1	556 105V	20-3
510 058V	50-55	550 643	88-3	551 792V	35-47	556 105V	21-2
515 710	26-107	550 646	16-15	551 792V	36-1	558 806	48-21
515 710	27-112	550 647	16-13	551 983V	32A-2	558 806	84-36
515 710	27A-101	550 729V	17-15	551 983V	71A-1	558 830V	51-50
519 851V	5-49	550 730V	17-16	553 230V	32A-10	558 830V	53-89
524 145V	57B-46	550 777	88-7	553 261V	50-44	558 830V	55-48
524 145V	57C-55	550 778	89-12	554 958V	18-26	558 831V	55-60
524 145V	59-58	550 778	90-15	554 958V	19A-25	558 900	18-8
524 145V	67A-48	550 779	88-3	554 958V	19B-27	558 900	19-15
548 039	17-21	550 780	89-5	554 979V	38-26	558 900	19A-17
548 040V	17-21	550 780	90-5	554 979V	74-52	558 900	19B-18
548 110V	17-16	550 805V	17-13	554 979V	75-41	558 905V	55-46
548 111V	17-15	550 906V	67B-1	554 979V	76-47	558 906V	51-88
548 118V	17-16	550 934V	58-2	554 979V	77-77	558 906V	53-91
548 119V	17-15	550 934V	67B-1	554 979V	78-17	558 906V	55-47
548 153V	17-21	550 935V	58-2	554 979V	80-36	558 908V	66-78
548 190V	16-24	550 935V	67B-1	554 979V	81-33	558 910V	53-23
548 190V	17-22	550 938V	66-23	554 984V	54-67b	558 912	18-19
548 679V	17-23	550 938V	67-23	554 985V	19-20	558 912	18-22
550 456V	17-15	550 938V	67A-33	554 985V	19A-23	558 912	18-29
550 457V	17-16	550 938V	67B-1	554 985V	19B-24	558 912	18-31
550 458V	17-16	550 974V	58-2	554 998V	46-18	558 912	19-17
550 459V	17-15	550 974V	67C-1	555 013V	23A-42	558 912	19A-19
550 460V	17-16	551 114	89-10	555 014V	23A-42	558 912	19B-19
550 463V	17-16	551 114	90-10	555 015V	23A-42	558 918V	55-46
550 469V	17-16	551 174V	92-6	555 016V	23A-42	559 082	84-37
550 470V	17-15	551 175V	92-6	555 017V	23A-42	560 951V	51-75
550 483V	16-24	551 176V	92-5	555 018V	23A-42	560 951V	52-78
550 483V	17-22	551 177V	92-15	555 412V	32A-1	560 951V	53-106
550 487V	68-63	551 207V	91-7	555 457V	32C-2	560 951V	54-77
550 491	17-21	551 209V	91-6	555 501V	93-111	560 951V	55-100
550 493	17-21	551 216	94-1	555 563V	28C-10	561 012V	32A-41
550 505V	17-16	551 219V	92-5	555 564V	28C-10	561 012V	32A-43
550 506V	16-12	551 232V	94-2	555 565V	28C-10	561 013V	32A-42
550 506V	17-15	551 368V	28-5	555 566V	28C-10	561 013V	32A-44
550 507V	16-12	551 368V	28A-30	555 567V	28C-10	565 181V	26-61
550 507V	17-16	551 374V	28-6	555 568V	28C-10	565 288	68-70
550 509V	17-16	551 374V	28A-31	555 699V	23A-42	565 415V	32A-21
550 518V	16-12	551 374V	29-4	555 700V	23A-42	565 416V	68A-8
550 543V	17-57	551 435V	28-5	555 701V	23A-42	565 441V	32A-21
550 548V	17-57	551 435V	28-A30	555 702V	23A-42	565 516V	70-25
550 549V	17-58	551 701	39-49	555 703V	23A-42	565 523V	93-29
550 597V	16-23	551 701	41-24	555 704V	23A-42	565 564V	32A-23
550 600V	16-12	551 703V	37-61	555 731	93A-17	565 566V	96-12
550 600V	17-15	551 703V	41-1	555 884V	28C-10	565 576V	32A-24
550 617V	16-12	551 705V	37-61	555 885V	28C-10	565 578V	32A-21
550 617V	17-15	551 705V	39-49	555 886V	28C-10	565 579V	32A-21
550 618V	16-12	551 705V	41-1	555 887V	28C-10	565 582V	32A-23
550 618V	17-16	551 750	39-51	555 888V	28C-10	571 069V	16-2
550 619V	49-43	551 750	40-1	555 889V	28C-10	571 087V	86-13

## PIPER PARTS CATALOG

Part Number	Figure and Index No.	Part Number	Figure and Index No.	Part Number	Figure and Index No.	Part Number	Figure and Index No.
571 103V	93-17	579 730V	27-23	579 885V	24-69	580 355V	27-23
571 131V	28B-17	579 731V	27-23	579 886V	24-69	580 356V	27-23
571 136V	68-31	579 733V	27-23	579 887V	24-69	580 357V	27-23
571 149V	28A-15e	579 748V	27A-1	579 888V	24-69	580 358V	27-23
571 149V	28C-38	579 749V	27A-1	579 889V	24-69	580 359V	27-23
571 162V	32E-30	579 750V	27A-1	579 897V	27-24	580 360V	27-25
571 162V	68A-19	579 751V	27A-1	579 897V	27A-2	580 360V	27A-3
572 582V	68-23	579 752V	27A-1	579 902V	27-25	580 361V	27-25
579 607V	24A-12	579 753V	27A-1	579 903V	27-25	580 361V	27A-3
579 608V	24A-12	579 808V	26-6	579 904V	27-25	580 362V	27-25
579 609V	24A-12	579 809V	26-6	579 905V	27-25	580 362V	27A-3
579 610V	24A-12	579 810V	26-6	579 906V	27-25	580 363V	27-25
579 616V	24A-12	579 811V	26-6	579 907V	27-25	580 363V	27A-3
579 617V	24A-12	579 812V	26-6	579 908V	27-25	580 364V	27-25
579 618V	24A-12	579 813V	26-6	579 908V	27A-3	580 364V	27A-3
579 619V	24A-12	579 814V	26-6	579 909V	27-25	580 365V	27-25
579 620V	24A-12	579 815V	26-6	579 909V	27A-3	580 365V	27A-3
579 621V	24A-12	579 816V	24-69	579 910V	27-25	580 366V	27-25
579 622V	24A-12	579 817V	24-69	579 910V	27A-3	580 367V	27-25
579 623V	24A-12	579 818V	24-69	579 911V	27-25	580 368V	27-25
579 624V	24A-12	579 819V	24-69	579 911V	27A-3	580 369V	27-25
579 625V	24A-12	579 824V	26-5	579 912V	27-25	580 370V	27-25
579 626V	27A-2	579 825V	26-5	579 912V	27A-3	580 371V	27-25
579 627V	27A-2	579 826V	26-5	579 913V	27-25	580 372V	27-24
579 628V	27A-2	579 827V	26-5	579 913V	27A-3	580 372V	27-24
579 629V	27A-2	579 828V	26-5	580 320V	26-3	580 374V	27-24
579 630V	27A-2	579 829V	26-5	580 321V	26-3	580 375V	27-24
579 636V	26-4	579 830V	26-5	580 322V	26-3	580 376V	27-24
579 637V	26-4	579 831V	26-5	580 323V	26-3	580 377V	27-24
579 638V	26-4	579 832V	26-3	580 324V	26-5	580 384V	24-69
579 639V	26-4	579 833V	26-3	580 325V	26-5	580 385V	24-69
579 685V	27-24	579 834V	26-3	580 326V	26-5	580 386V	24-69
579 685V	27A-2	579 835V	26-3	580 327V	26-5	580 387V	24-69
579 686V	27-24	579 843V	27-23	580 328V	26-5	580 388V	24-69
579 686V	27A-2	579 849V	27-23	580 329V	26-5	580 389V	24-69
579 687V	27-24	579 866V	27-26	580 330V	26-5	580 390V	24-69
579 687V	27A-2	579 867V	27-26	580 331V	26-5	580 391V	24-69
579 688V	27-24	579 868V	27-26	580 332V	26-4	580 392V	24-69
579 688V	27A-2	579 869V	27-26	580 333V	26-4	580 393V	24-69
579 690V	27-24	579 870V	24-69	580 334V	26-4	580 394V	24-69
579 690V	27A-2	579 870V	27-26	580 335V	26-4	580 395V	24-69
579 704V	26-3	579 871V	27-26	580 336V	24-69	580 396V	27-26
579 705V	26-3	579 872V	27-26	580 337V	24-69	580 396V	27A-4
579 706V	26-3	579 872V	27A-4	580 338V	24-69	580 397V	27-26
579 707V	26-3	579 873V	27-26	580 339V	24-69	580 397V	27A-4
579 709V	26-5	579 873V	27A-4	580 340V	26-6	580 398V	27-26
579 711V	26-5	579 874V	27-26	580 341V	26-6	580 398V	27A-4
579 712V	26-4	579 874V	27A-4	580 342V	26-6	580 399V	27-26
579 713V	26-4	579 875V	27-26	580 343V	26-6	580 399V	27A-4
579 714V	26-4	579 875V	27A-4	580 344V	26-6	580 400V	27-26
579 715V	26-4	579 876V	27-26	580 345V	26-6	580 400V	27A-4
579 719V	26-6	579 876V	27A-4	580 346V	26-6	580 401V	27-26
579 720V	26-6	579 877V	27-26	580 347V	26-6	580 401V	27A-4
579 722V	27-23	579 877V	27A-4	580 348V	27-23	580 402V	27-26
579 723V	27-23	579 878V	24-69	580 349V	27-23	580 403V	27-26
579 724V	27-23	579 880V	24-69	580 350V	27-23	580 404V	27-26
579 725V	27-23	579 881V	24-69	580 351V	27-23	580 405V	27-26
579 727V	27-23	579 882V	24-69	580 352V	27-23	580 406V	27-26
579 728V	27-23	579 883V	24-69	580 353V	27-23	580 407V	27-26
579 729V	27-23	579 884V	24-69	580 354V	27-23	580 408V	27A-1

## PIPER PARTS CATALOG

Part Number	Figure and Index No.	Part Number	Figure and Index No.	Part Number	Figure and Index No.	Part Number	Figure and Index No.
580 409V	27A-1	585 015V	68-26	591 017V	27-39	591 151V	27-33
580 410V	27A-1	587 221V	24-78	591 017V	27A-22	591 151V	27A-16
580 411V	27A-1	587 299V	28A-9	591 018V	26-49	591 152V	27-33
580 412V	27A-1	587 299V	28C-16	591 018V	27-39	591 152V	27A-16
580 413V	27A-1	587 381V	24A-32	591 018V	27A-22	591 153V	27-33
580 710V	24A-12	587 398V	24A-26	591 020V	27A-22	591 153V	27A-16
580 712V	27-25	587 404V	28C-12	591 021V	26-49	591 154V	27-33
580 712V	27A-3	587 807V	95-10	591 021V	27-39	591 154V	27A-16
580 713V	27-24	587 808V	95-11	591 021V	27A-22	591 156V	27-33
580 713V	27A-2	587 808V	95-12	591 022V	26-49	591 156V	27A-16
580 716V	27-26	587 808V	95-13	591 022V	27-39	591 157V	27-36
580 716V	27A-4	587 809V	95-14	591 022V	27A-22	591 157V	27A-19
580 717V	24A-12	587 844V	68A-14	591 023V	26-49	591 158V	27-36
580 719V	27A-1	587 903V	68A-23	591 023V	27-39	591 158V	27A-19
580 720V	26-3	587 903V	20-34	591 023V	27A-22	591 159V	27-36
580 721V	26-5	587 903V	69-12	591 025V	27-39	591 159V	27A-19
580 722V	26-4	587 923V	96-5	591 025V	27A-22	591 161V	27-36
580 723V	26-6	587 952V	93A-13	591 026V	26-45	591 161V	27A-19
580 727V	26-6	587 961V	56-81	591 026V	27-34	591 162V	27-36
580 730V	24A-10	587 961V	57A-42	591 026V	27A-17	591 162V	27A-19
580 730V	26-11a	587 961V	58-89	591 027V	26-45	591 163V	27-36
580 731V	24A-10	587 961V	66-125	591 027V	27-34	591 163V	27A-19
580 731V	26-11a	587 990V	56-83	591 027V	27A-17	591 164V	27 36
580 731V	27-88a	587 990V	58-91	591 028V	26-45	591 164V	27A-19
580 731V	27A-79a	587 990V	66-127	591 028V	27-34	591 166V	27-36
580 732V	27A-2	588 011V	93A-14	591 028V	27A-17	591 166V	27A-19
580 733V	27A-2	588 011V	93C-10	591 030V	27-34	591 182V	26-47
580 734V	27A-2	588 030V	93B-6	591 030V	27A-17	591 182V	27-35
580 735V	27-24	588 356V	95-17	591 031V	26-47	591 183V	26-47
580 735V	27A-2	588 391V	51-21	591 031V	27 35	591 183V	27-35
580 736V	27A-2	588 391V	53-31	591 031V	27A-18	591 183V	27A-8
580 737V	27A-2	588 391V	55-51	591 032V	26-47	591 184V	26-47
580 739V	27A-1	588 436V	51-59	591 032V	27-35	591 184V	27-35
580 740V	26-3	588 436V	52-59	591 032V	27A-18	591 184V	27A-18
580 741V	26-4	588 436V	53-76	591 033V	26-47	591 186V	27-35
580 753V	27-23	588 436V	55-54	591 033V	27-35	591 186V	27A-18
580 754V	27-23	588 462V	51-104	591 033V	27A-18	591 190V	26-44
580 785	24A-12	588 462V	53-90	591 035V	27-35	591 191V	26-44
580 786V	26-3	588 469V	56-84	591 035V	27A-1 8	591 192V	26-44
580 787V	26-3	588 469V	58-48	591 036V	26-44	591 196V	26-44
580 788V	26-5	588 469V	66-128	591 037V	26-44	591 197V	26-44
580 789V	26-4	589 688V	32B-10	591 038V	26-44	591 198V	26-44
580 790V	26-4	591 000V	26-50	591 039V	26-44	591 216V	27-33
580 792V	26-6	591 001V	26-50	591 040V	26-44	591 216V	27A-16
580 881V	33-36	591 002V	26-50	591 041V	26-44	591 217V	27-33
580 887	54-61	591 003V	26-43	591 142V	27-37	591 217V	27A-16
580 894	91-11	591 004V	26-43	591 142V	27A-20	591 218V	27-33
580 942V	26-43	591 006V	27-38	591 143V	27-37	591 220V	27-33
581 025V	65-21	591 007V	27-38	591 143V	27A-20	591 220V	27A-16
581 126V	85-16	591 008V	27-38	591 144V	27-37	591 225V	27-33
581 330V	82-22	591 010V	27-38	591 144V	27A-20	591 225V	27A-16
581 332V	82-21	591 011V	27A-21	591 146V	27-37	591 226V	27-33
581 489V	24-103	591 012V	27A-21	591 146V	27A-20	591 226V	27A-16
581 928V	23A-49	591 013V	27A-21	591 147V	27-33	591 227V	27-33
581 928V	23B-43	591 015V	27A-21	591 147V	27A-16	591 227V	27A-16
584 256V	32A-42	591 016V	26-49	591 148V	27-33	591 228V	27-33
584 256V	32A-44	591 016V	27-39	591 148V	27A-16	591 228V	27A-16
584 257V	32A-43	591 016V	27A-22	591 149V	27-33	591 275V	26-45
584 258V	32A-41	591 017V	26-49	591 149V	27A-16	591 275V	27-34

## PIPER PARTS CATALOG

Part Number	Figure and Index No.	Part Number	Figure and Index No.	Part Number	Figure and Index No.	Part Number	Figure and Index No.
591 275V	27A-17	591 503V	27-35	690 609	15-34	690 611	28A-39
591 276V	26-45	591 503V	27A-18	690 609	20-15	690 611	28A-40
591 276V	27-34	591 504V	27-35	690 609	29-15	690 611	28B-24
591 276V	27A-17	591 504V	27A-18	690 609	33-53	690 611	28C-44
591 277V	26-45	591 505V	26-44	690 609	33-54	690 611	29-10
591 277V	27-34	591 507V	26-44	690 609	33-55	690 611	29-12
591 277V	27A-17	591 543V	27-37	690 609	34-50	690 611	32-22
591 279V	27-34	591 543V	27A-20	690 609	34-51	690 611	32C-32
591 279V	27A-17	591 544V	27-37	690 609	34-71	690 611	33A-34
591 390V	26-46	591 544V	27A-20	690 609	38-20	690 611	34-22
591 391V	26-46	591 545V	27-33	690 609	38-30a	690 611	34-60
591 392V	26-46	591 545V	27A-16	690 609	38-31	690 611	35-41
591 393V	26-46	591 546V	27-33	690 609	39-15	690 611	36-12
591 394V	26-46	591 546V	27A-16	690 609	45-46	690 611	37-9
591 395V	26-46	591 547V	27-33	690 609	46-14	690 611	38-21
591 396V	26-48	591 547V	27A-16	690 609	47-24	690 611	38-51
591 397V	26-48	591 548V	27-33	690 609	50-41	690 611	38-52
591 398V	26-48	591 548V	27A-16	690 609	55-124	690 611	39-35
591 399V	27-99	591 549V	27-36	690 609	56-29	690 611	40-20
591 399V	27A-87	591 549V	27A-19	690 609	57B-46	690 611	46-16
591 400V	27-99	591 550V	27-36	690 609	57C-55	690 611	47-26
591 400V	27A-87	591 550V	27A-19	690 609	59-48	690 611	50-35
591 401V	27-99	591 551V	27-36	690 609	59-58	690 611	50-42
591 401V	27A-87	591 551V	27A-19	690 609	64-28	690 611	50-43
591 403V	27-99	591 552V	27-36	690 609	65-22	690 611	50D-25
591 403V	27A-87	591 552V	27A-19	690 609	66-82	690 611	50D-26
591 471V	27-40	591 573V	26-46	690 609	66-113	690 611	56-15
591 472V	27-40	591 575V	26-46	690 609	67A-48	690 611	58-60
591 472V	27A-23	591 577V	26 48	690 609	74-60	690 611	58-61
591 473V	27-40	591 579V	27-99	690 609	74-65	690 611	58-79
591 473V	27A-23	591 579V	27A-87	690 609	75-53	690 611	58-87
591 474V	27-40	591 580V	27-99	690 609	75-59	690 611	61-10
591 474V	27A-23	591 580V	27A-87	690 609	77-50	690 611	63-14
591 487V	26-50	596 032V	86-18	690 609	77-62	690 611	66-19
591 489V	26-43	596 059V	93-11	690 609	77-64	690 611	67-14
591 491V	27-40	596 118V	93-15	690 609	77-67	690 611	67A-26
591 491V	27A-23	596 138V	94-3	690 609	77-69	690 611	72-11
591 492V	27-40	596 181V	94-3	690 609	77-70	690 611	73-14
591 492V	27A-23	596 332V	93-32	690 609	77-75	690 611	74-45
591 493V	27-38	596 512	90-10	690 609	77-103	690 611	74-60
591 494V	27-38	596 605V	97-1	690 609	78-23	690 611	75-46
591 495V	27A-21	596 664V	93-32	690 609	78-26	690 611	75-49
591 496V	27A-21	597 257	93C-3	690 609	78-28	690 611	76-4
591 497V	26-49	597 461V	93C-1	690 609	78-57	690 611	76-52
591 497V	27-39	599 677V	38-28	690 609	79-3	690 611	77-49
591 497V	27A-22	603 350	44-10	690 609	80-23	690 611	77-103
591 498V	27-39	603 350	44-11	690 609	80-30	690 611	80-25
591 498V	27A-22	603 800V	27-101	690 609	81-23	690 611	81-22
591 499V	26-49	603 800V	27-102	690 609	81-29	690 612	2-38
591 499V	27-39	603 800V	27A-89	690 609	81-36	690 612	2-42
591 499V	27A-22	603 800V	27A-90	690 609	84-56	690 612	2-43
591 500V	27-39	603 820	28A-10b	690 609	84-59	690 612	10-49
591 500V	27A-22	681 145	24-22A	690 611	2-44	690 612	11-48
591 501V	26-45	688 164V	90-16	690 611	24A-27	690 612	13-38
591 501V	27-34	690 076	32A-28B	690 611	28-15	690 612	15-33
591 501V	27A-17	690 401	38-27	690 611	28-31	690 612	15-34
591 502V	27-34	690 402V	38-25	690 611	28-32	690 612	24-113
591 502V	27A-17	690 609	12-30	690 611	28A-16	690 612	28-17
591 503V	26-47	690 609	15-33	690 611	28A-26	690 612	28C-43

## PIPER PARTS CATALOG

Part Number	Figure and Index No.	Part Number	Figure and Index No.	Part Number	Figure and Index No.	Part Number	Figure and Index No.
690 612	31A-50	690 612	76-39	690 613	75-49	690 626	56-82
690 612	32C-7	690 612	76-41	690 613	76-42	690 626	57A-43
690 612	32C-31	690 612	76-44	690 613	77-60	690 626	58-90
690 612	32C-33	690 612	76-48	690 613	77-68	690 626	66-126
690 612	32C-34	690 612	76-54	690 613	77-74	690 627	34-69
690 612	32C-35	690 612	77-63	690 613	77-110	690 628	2-32
690 612	32C-36	690 612	77-66	690 613	80-25	690 628	28A-40
690 612	32C-37	690 612	77-68	690 613	82-8	690 628	29-10
690 612	32C-38	690 612	77-72	690 613	83-7	690 628	33-10
690 612	32E-42	690 612	77-104	690 614	42-32	690 628	33A-30
690 612	33-55	690 612	77-105	690 614	42-35	690 628	33A-31
690 612	33-53	690 612	77-106	690 614	57A-52	690 628	33A-34
690 612	33A-32	690 612	77-108	690 616	49-31	690 628	34-63
690 612	33A-33	690 612	77-109	690 616	59-46	690 628	34-75
690 612	34-12	690 612	77-110	690 616	59-54	690 628	37-37
690 612	34-59	690 612	78-19	690 616	59-59	690 628	37-47
690 612	34-72	690 612	78-30	690 616	85-11	690 628	39-34
690 612	34-76	690 612	78-31	690 617	42-33	690 628	40-20
690 612	35-38	690 612	80-24	690 617	42-34	690 628	66-64f
690 612	38-30a	690 612	80-26	690 617	57A-33	690 628	72-12
690 612	38-43	690 612	80-39	690 618V	16-42	690 628	73-12
690 612	38-46	690 612	81-23	690 618V	79-5	690 628	74-34
690 612	46-15	690 612	81-36	690 618	86-15	690 628	74-36
690 612	47-27	690 612	82-7	690 619	12-28	690 628	74-40
690 612	49-22	690 612	82-18	690 619	12-29	690 628	74-44
690 612	50-40	690 612	82-19	690 619	24-95	690 628	74-49
690 612	56-29	690 612	82-20	690 619	24A-53	690 628	74-54
690 612	57-43	690 612	83-9	690 619	32A-38	690 628	74-56
690 612	57B-40	690 612	83-16	690 619	33A-25	690 628	75-22a
690 612	57B-41	690 612	83-17	690 619	33A-26	690 628	75-46
690 612	57B-48	690 612	83-18	690 619	34-63	690 628	75-55
690 612	57B-53	690 612	85-13	690 619	35-21b	690 628	75-56
690 612	57B-54	690 612	85-14	690 619	35-40	690 628	75-57
690 612	57B-55	690 612	85-15	690 619	37-37	690 628	75-58
690 612	57C-50	690 612	86-16	690 619	37-38	690 629	2-30
690 612	57C-57	690 613	2-36	690 619	37-47	690 629	2-33
690 612	58-51	690 613	2-44	690 619	39-36	690 629	2-34
690 612	59-48	690 613	24A-61	690 619	41-22	690 629	2-35
690 612	59-63	690 613	28C-44	690 619	57B-16	690 629	32A-12
690 612	59-64	690 613	28C-46	690 619	57C-17	690 629	33-10
690 612	65-11	690 613	32-38	690 619	59-20	690 629	33-29
690 612	66-72	690 613	32A-17	690 619	67A-17	690 629	33-30
690 612	66-82	690 613	33-16	690 619	74-38	690 629	38-45
690 612	72-10	690 613	34-61	690 619	77-61	690 629	46-56
690 612	73-13	690 613	34-70	690 620	32A-29	690 629	47-44
690 612	74-43	690 613	35-41	690 620	32A-35	690 629	48A-4
690 612	74-50	690 613	38-52	690 620	32A-36	690 629	54-51
690 612	74-53	690 613	39-37	690 620	32A-37	690 629	58-54
690 612	74-65	690 613	41-7	690 620	32A-34	690 629	58-55
690 612	74-66	690 613	41-22	690 620	33A-25	690 629	58-56
690 612	75-50	690 613	41-41	690 620	33A-26	690 629	67B-5
690 612	75-53	690 613	45-47	690 620	34-73	690 629	74-48
690 612	75-54	690 613	49-11	690 620	34-84	690 630	47-21
690 612	75-59	690 613	50-53	690 620	38-30	690 630	56-65
690 612	75-62	690 613	57-44	690 620	41-7	690 630	57-29
690 612	75-63	690 613	58-53	690 620	41-38	690 630	57A-50
690 612	76-19	690 613	63-11	690 623V	49-19	690 630	57A-53
690 612	76-19d	690 613	66-111	690 623V	77-111	690 630	58-58
690 612	76-35	690 613	74-45	690 623V	78-33	690 630	58-59

## PIPER PARTS CATALOG

Part Number	Figure and Index No.	Part Number	Figure and Index No.	Part Number	Figure and Index No.	Part Number	Figure and Index No.
690 630	66-26	750 063	36-6	751 858	52-110	752 533	67B-12
690 630	80-27	751 118	17-17	751 859	18-4	752 534	67B-7
690 630	81-21	751 118	57C-28	751 859	19-4	752 571V	36A-13
690 630	84-49	751 118	67-17	751 859	19A-4	752 571V	36B-10
690 631	24-93	751 118	67A-40	751 859	19B-4	752 572V	67C-5
690 631	24A-52	751 201	68-50	751 871	55-91a	752 584V	48A-39
690 631	32A-30	751 201	73A-13	751 872	51-100	752 585V	34-4
690 631	38-53	751 202	68-47	751 872	52-110	752 585V	48A-41
690 621	84-54	751 202	73A-13	751 872	53-2	752 591V	67C-18
690 639V	24A-38	751 203	68-44	751 872	55-2	752 592V	67C-19
690 640	16-9	751 232	87-4	751 889V	46-45	752 593V	67C-20
690 640	24-29	751 262	88-4	751 897V	86-7	752 594V	67C-21
690 640	24-32	751 278	86-2	751 897V	86A-12	752 595V	34-3
690 640	24A-35	751 283	89-2	751 912V	17-40	752 596V	34-5
690 640	27-112	751 283	90-2	751 915	16-56	752 749	41-17
690 640	27A-101	751 291	16-34	751 954	88-12	752 749	41-26
690 640	30-45	751 312V	73A-8	751 955V	71-5	752 751	41-3
690 640	37-10	751 316	93A-3	751 956V	71-12	752 751	41-34
690 640	44-12	751 318	93A-4	751 987	89-9	752 768	41-16
690 640	49-37	751 319	93A-5	751 987	90-9	752 768	41-25
690 640	75-61	751 381	68-46	752 020	67B-2	752 826	41-15
690 640	76-36	751 381	68-49	752 055	16-27	752 826	41-19
690 640	76-37	751 381	73A-14	752 057	16-28	752 826	41-28
690 640	77-71	751 384	36-11	752 058	16-29	752 826	41-33
690 640	77-76	751 384	40-19	752 070V	16-26	752 830	36-10
690 640	81-35	751 402	41-5	752 071V	16-30	752 830	40-12
690 643V	24-97	751 402	41-37	752 076	16-27	752 855	46-54
690 647	24-109	751 405	36-11	752 078	16-28	752 855	47-42
690 651	30-8	751 405	40-19	752 079	16-29	752 855	48A-17
690 651	31-21	751 412	87-23	752 081V	16-26	752 855V	71-7
690 651	32-37	751 412	88-21	752 082V	16-30	752 866V	71-10
690 657V	13-38	751 450	41-21	752 084V	16-29	752 867V	71-11
690 657V	13-56	751 450	41-40	752 096V	16-28	752 882	36-7
690 657V	13-57	751 453V	16-36	752 097V	16-27	752 882	40-9
690 657V	13-58	751 489	36-6	752 098V	16-30	752 882	43-10
690 664	39-41	751 489	40-7	752 099V	16-29	752 892	69-18
690 664	42-31	751 494	36-3	752 100V	16-26	752 947	40-22
690 668	28A-10b	751 494	36-5	752 101V	16-26	752 953	41-29
690 668	28C-43	751 494	40-3	752 102V	16-31	752 955	87-10
690 668	35-50	751 494	40-6	752 112V	16-26	752 965	41-43
690 668	77-59	751 510	40-23	752 113V	16-26	752 966	41-9
691 220V	48-22	751 521	87-14	752 114V	16-30	752 966	41-42
691 223	52-60	751 525	87-15	752 120	16-56	752 967	87-18a
691 223	52-87	751 525	88-13	752 121V	16-29	753 004	87-7
691 308V	34-60	751 772	40-11	752 301	24-10	753 036	88-14
691 308V	39-35	751 772	40-14	752 301V	24A-20	753 085V	32C-14
691 334	35-41	751 783	87-8	752 307	68-52	753 128	36-2
691 309V	82-8	751 796	55-91b	752 308	41-14	753 128	40-5
691 309V	83-7	751 799	51-101	752 308	41-18	753 129	36-4
691 311V	33-16	751 799	52-111	752 308	41-27	753 171	40-4
691 314	33A-30	751 799	53-3	752 309	41-32	753 172	46-48
691 315	35-40	751 799	55-3	752 328	69-19	753 172	47-36
691 315	39-34	751 810	40-14	752 333	88-9	753 172	48A-11
691 315	39-36	751 815	18-15	752 338V	41-14	753 176	40-2
691 316	39-34	751 815	19-7	752 338V	41-18	753 178	40-21
691 359V	2-33	751 815	19A-8	752 342V	41-14	753 212	16-62
691 317	2-30	751 815	19B-9	752 342V	41-18	753 375V	71-3
691 318	2-34	751 819	36-9	752 511	67B-6	753 376V	71-9
691 339V	34-69	751 820	67B-19	752 513	67B-26	753 377V	49-27

## PIPER PARTS CATALOG

Part Number	Figure and Index No.	Part Number	Figure and Index No.	Part Number	Figure and Index No.	Part Number	Figure and Index No.
753 378V	49-28	754 530	40-8	755 917V	48A-7	756 160V	71-6
753 379V	41-21	754 535V	40-8	755 919	55-91c	756 250V	71-6
753 380V	71-22	754 545	40-8	755 932	67B-8	756 256	16-61
753 381	46-52	754 575V	18-1	755 934	67B-16	756 257	88-28
753 381	47-40	754 575V	19A-1	755 935	67B-30	756 307	16-58
753 381	48A-15	754 575V	19B-1	755 943V	71-7	756 398	93A-1
753 407	41-5	754 804V	36-9	755 944V	71-10	756 517V	58-81
753 408V	41-21	754 814V	67B-19	755 945V	71-11	756 607	67B-22
753 431	68-43	754 826	67B-19	755 948V	46-42	756 616V	17-42
753 460V	89-8	754 827V	71A-5	755 948V	47-31	756 620V	48A-23
753 461	67B-3	754 848V	48A-42	755 949V	47-32	756 621V	48A-31
753 463	67B-15	754 855V	36A-10	755 950V	46-44	756 621V	48A-55
753 464	67B-20	754 856V	36B-6	755 950V	47-46	756 622V	48A-28
753 465	67B-20	755 028V	48A-32	755 964	36-14	756 622V	48A-50
753 496	89-4a	755 042	73A-6	755 968	67B-14	756 626	67B-10
753 496	90-4a	755 048V	36-3a	755 972	67B-21	756 665V	36-2
753 622V	87-18	755 075	73A-16	755 993	67B-18	756 665V	40-5
753 642V	88-8	755 076	73A-17	755 994	67B-28	756 666V	36-4
753 721	86-1	755 082V	48A-52	755 995	67B-24	756 666V	40-2
753 721	89-1	755 200	73A-7	755 996V	34-5a	756 667V	36-2
753 721	90-1	755 222	67B-2	755 997V	38-42	756 668V	36-4
753 849	41-2	755 232V	71A-9	755 998V	34-5d	756 685V	36A-12
753 850	41-10	755 271V	71A-19	755 999	40-10	756 685V	36B-9
753 850	41-44	755 272V	32A-24	755 999	40-13	756 686V	36B-2
753 860V	87-16	755 278V	67C-2	755 999	40-15	756 687V	36A-4
753 861V	87-13	755 411V	17-34	756 007V	36-14	756 688V	36A-2
753 867	41-36	755 427	16-13	756 008V	36-10	756 689V	67C-4
753 876V	88-10	755 427	17-19	756 014V	71-7	756 716	88-11
753 877	88-4	755 428	16-15	756 016V	48A-54	756 720	88-6
753 880	88-23	755 428	17-20	756 018V	48A-53	756 737	88-22
753 885V	41-2	755 432V	86A-1	756 019V	48A-30	756 746V	Misc.
753 910	18-3	755 441V	17-17	756 035V	55-91g	756 757V	71-15
753 910	19-3	755 619V	30-22	756 036V	55-91d	756 759V	71-19
753 910	19A-3	755 800	67B-9	756 037	73A-10	756 761V	71-21
753 910	19B-3	755 810	48A-8	756 052	86-2a	756 783V	Misc.
753 917V	48A-2	755 815	41-12	756 053V	34-5c	756 785V	Misc.
753 920V	41-2	755 816	41-13	756 053V	38-42a	756 790V	Misc.
753 948	16-59	755 818	41-23	756 055V	68-58	756 791V	91-5
753 949	16-60	755 825	88-20	756 060V	71A-11	756 810V	Misc.
753 956V	46-41	755 829	41-30	756 061V	71A-13	756 825V	Misc.
753 956V	47-30	755 830	41-31	756 064V	71-7	756 893V	Misc.
753 978V	86-4	755 846V	71-4	756 065V	71-7	756 896	Misc.
753 980V	86-8	755 850V	41-3	756 066V	71-25	756 897V	Misc.
753 980V	86A-4	755 851V	41-4	756 067V	71-23	756 898V	Misc.
753 980V	89-6	755 852V	41-12	756 107	52-111	756 899V	Misc.
753 980V	90-6	755 854V	41-16	756 117	46-53	756 907	16-57
754 209	87-6	755 855V	41-17	756 117	47-41	756 930	Misc.
754 210	87-5	755 856V	41-23	756 117	48A-16	756 941V	Misc.
754 211	87-17	755 857	48A-12	756 118	46-55	757 004V	Misc.
754 360	91-5	755 858	48A-13	756 118	47-43	757 027V	Misc.
754 366	88-5	755 882V	46-57	756 118	48A-6	757 042V	Misc.
754 401V	Misc.	755 882V	47-45	756 118	48A-27	757 046	Misc.
754 431V	Misc.	755 882V	48A-5	756 118	48A-51	757 052	89-3
754 462	Misc.	755 883V	41-12	756 127	41-20	757 052	89-11
754 464V	Misc.	755 884V	41-13	756 128	40-17	757 052	90-3
754 4777	Misc.	755 885V	41-16	756 129	36-8	757 052	90-11
754 497V	Misc.	755 886V	41-17	756 129	40-16	757 085	Misc.
754 498V	Misc.	755 887V	41-3	756 155	54-65	757 088V	Misc.
754 518	40-8	755 916V	48A-3	756 159V	71-2	757 090V	Misc.

## PIPER PARTS CATALOG

Part Number	Figure and Index No.	Part Number	Figure and Index No.	Part Number	Figure and Index No.	Part Number	Figure and Index No.
757 112	Misc.	757 592V	86-3a	758 368V	71-24	760 992V	Misc.
757 123	Misc.	757 595V	86-1	758 369V	71-12	760 993V	Misc.
757 131V	Misc.	757 595V	86A-14	758 391V	36 84	761 002V	Misc.
757 135V	Misc.	757 595V	90-1	758 392V	36A-6	761 003V	Misc.
757 137V	Misc.	757 597V	69A-18	758 393V	36B-8	761 008V	Misc.
757 138V	Misc.	757 597V	70-4	758 394V	36A-11	761 039V	80-2b
757 140V	Misc.	757 632V	55-91e	758 395V	67C-16	761 039V	81-4
757 141V	Misc.	757 718V	32C-15	758 396V	67C-7	761 074	Misc.
757 142V	71-17	757 719V	71A-18	758 397V	35-48	761 077	8-25a
757 143V	71-20	757 721V	71A-17	758 402V	68-52	761 077	9-38
757 148V	55-90	757 744V	71-6	758 452	93C-2	761 088V	Misc.
757 152	Misc.	757 745V	71-6	758 453	93C-5	761 089V	Misc.
757 163V	Misc.	757 746V	71-8	758 457V	48A-58	761 090V	Misc.
757 165	Misc.	757 762	73A-3	758 471V	71A 8	761 103	Misc.
757 181	Misc.	757 790V	19B-9a	758 528V	93B-2	761 138V	84-2a
757 182	Misc.	757 827	67B-31	758 534V	55-91	761 150V	32B-3
757 184	Misc.	757 828	67B-31	760 189	Misc.	761 150V	32E-9
757 188	Misc.	757 831V	36-3	760 195V	Misc.	761 156	73A-11
757 197	Misc.	757 831V	36-5	760 796V	Misc.	761 157	73A-12
757 198	Misc.	757 855V	86-3	760 198V	Misc.	781 158	73A-9
757 216V	46-49	757 863	86-5	760 199V	Misc.	761 159	73A-9
757 216V	47-37	757 863	86A-13	760 209V	Misc.	761 161V	73A-5
757 217V	46-50	757 863	89-7	760 210V	Misc.	761 162	73A-15
757 217V	47-38	757 863	90-7	760 284V	Misc.	761 189V	73A-3
757 249	67B-17	757 878V	86-20	760 287V	Misc.	761 190V	73A-5
757 268	45-50	757 878V	86A-5	760 292	Misc.	761 198V	96-3
757 302	67B-25	757 878V	90-12	760 296V	Misc.	761 206V	67C-13
757 310V	17-41	757 899V	18-5a	760 297V	Misc.	761 519V	32C-12
757 316V	48A-19	757 899V	19-19	760 365V	Misc.	761 903V	71A-12
757 317V	48A-20	757 899V	19A-6a	760 383V	Misc.	761 913V	71-16
757 318V	48A-29	757 899V	19B-7	760 384V	Misc.	761 939	93A-1
757 318V	48A-49	757 913V	86A-6	760 455V	24-4	761 967	93A-1
757 336V	67B-18	757 952V	90-17	760 455V	Misc.	761 970	33-4
757 386V	71A-3	757 981V	71-18	760 450V	24-4	761 970	37-18
757 386V	71A-22	758 002	90-17	760 456V	Misc.	761 970	39-47
757 387V	71A-4	758 023V	90-2	760 458V	Misc.	761 972	37-18
757 387V	71A-20	758 024	90-48	760 459V	Misc.	761 974	35-45
757 388V	71A-14	758 092V	93B-3	760 460V	Misc.	761 984V	67C-10
757 389V	71A-15	758 111	67B-4	760 480V	Misc.	761 994	33-4
757 390V	71A-16	758 147V	67B-13	760 481V	Misc.	761 994	37-18
757 392V	71A-6	758 156V	67B-13	760 510	Misc.	761 994	39-47
757 437V	48A-24	758 157V	67-13	760 532	Misc.	761 995	37-18
757 479V	48A-37	758 176V	55-91f	760 537V	Misc.	762 030V	93B-1
757 480V	48A-34	758 181V	86A-8	760 542V	Misc.	762 244V	71A-2
757 555	67B-23	758 188V	86A-2	760 546	Misc.	762 275V	48A-38
757 556	67B-23	758 204	67B-20	760 562	Misc.	762 276V	48A-35
757 557	67B-29	758 221	67B-13	760 681	Misc.	762 277V	48A-36
757 558	67B-32	758 222V	67B-13	760 682	Misc.	762 318V	67C-15
757 559	67B-33	758 223V	67B-13	760 697	Misc.	762 319V	67C-3
757 561	54-66	758 224V	71A-7	760 706V	32C-10	762 357	93C-6
757 579	86-1a	758 249V	71-22	760 780	Misc.	762 438V	70-4
757 579	86A-15	758 251V	71-24	760 794	Misc.	762 503V	55-91a
757 579	89-1a	758 266	93A-6	760 842	Misc.	762 508V	71A-21
757 579	90-1a	758 267	93A-7	760 895V	55-90	762 531V	48A-44
757 580V	48A-21	758 280V	67B-35	760 842	Misc.	762 558V	36A-8
757 580V	48A-56	758 281	93A-2	760 900	Misc.	762 559V	36A-7
757 581	89-4	758 282V	67B-34	760 901	Misc.	762 560V	36B-5
757 581	90-4	758 296V	86A-16	760 902	Misc.	762 561V	36B-7
757 583	67B-11	758 364	93A-2	760 928V	71-8	762 562V	36A-9



## PIPER PARTS CATALOG

Part Number	Figure and Index No.	Part Number	Figure and Index No.	Part Number	Figure and Index No.	Part Number	Figure and Index No.
762 564V	67C-6						
762 585V	48A-48						
762 586	48A-59						
762 587V	48A-46						
763 003V	24-68b						
763 003V	24A-9a						
763 003V	26-11						
763 003V	27-88						
763 003V	27A-79						
763 004V	93B-4						
763 005V	67C-11						
763 019	93C-4						
763 215V	36B-3						
763 216V	36A-3						
763 216V	36A-5						
763 217V	67C-8						
763 412V	67C-14						
763 413V	67C-9						
763 414V	67C-12						
763 450V	48A-57						
763 451V	48A-47						
763 814V	32E-29						
763 815V	68A-24						
763 828V	Misc.						
763 842V	Misc.						
763 848V	2-19						
763 874	Misc.						
763 883V	55-86						
763 890	Misc.						
763 920V	Misc.						
763 962V	Misc.						
763 966V	Misc.						
763 967V	Misc.						
764 114V	25-47						
764 114V	26-23						
764 114V	27-80						
764 114V	27A-71						
764 928	Misc.						
764 981	Misc.						
765 303	Misc.						
765 157	Misc.						
765 186	Misc.						
767 310	Misc.						
767 397	Misc.						
767 510	Misc.						